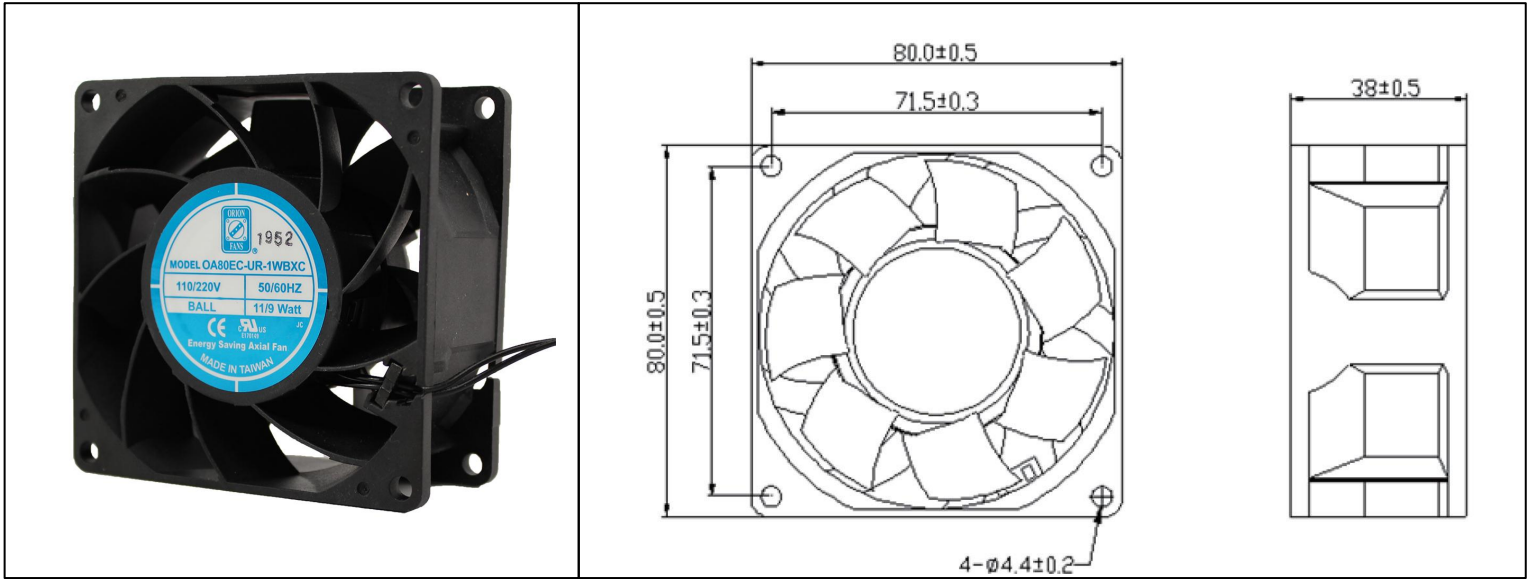


OA80EC XC Series



EC Fan Universal Voltage
80x38mm (3.15" x 1.50")



Frame	PBT UL94V0- Plastic	<u>Operating Temperature</u> -10C ~ +70C <u>Storage Temperature</u> -40C ~ +75C <u>Life Expectancy</u> 70,000 hours (L10 at 40C) Weight: ~ 0.39 lbs m0	
Impeller	PBT UL94V0- Plastic		
Connection	Wire Leads		
Motor	AC-DC Energy Saving, Electronically Protected		
Bearing System	Dual Ball Bearings		
Dielectric Strength	1500VAC/min		

Part Number	OA80EC-UR-1WBXC
Rated Voltage	110/220 VAC
Voltage Range	85 ~ 265
Rated Input	11 ~ 9 (6.3)W
Rated Speed (RPM)	4500
Airflow (CFM)	60
Noise Level (dB)	50
Max. Static Pressure	0.5"H ₂ O