

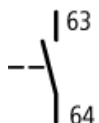
Type: **SDAINLM22(110V50HZ,120V60HZ)**
 Article No.: **278333**



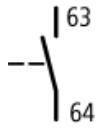
AC operation

Ordering information			
Rated operational current AC-3 400 V	I_e	A	22
Max. rating for three-phase motors, 50 – 60 Hz AC-3 230 V	P	kW	5.5
Max. rating for three-phase motors, 50 – 60 Hz AC-3 400 V	P	kW	11
Max. rating for three-phase motors, 50 – 60 Hz AC-3 500 V	P	kW	11
Max. rating for three-phase motors, 50 – 60 Hz AC-3 690 V	P	kW	11
Max. changeover time		s	< 20
Actuating voltage			110V 50 Hz, 120V 60 Hz
Individual components of the combination Mains contactor K1M		Part no.	DILM12-10 + DILA-XHI20
Individual components of the combination Delta contactor K5M		Part no.	DILM12-01 + DILA-XHI20
Individual components of the combination Star contactor K3M		Part no.	DILM7-01 + DILA-XHI20
Individual components of the combination Timing relay K1T		Part no.	ETR4-51
Phase identification			+

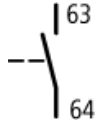
Spare auxiliary contacts Q11



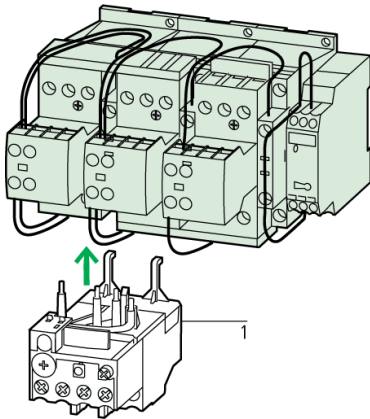
Spare auxiliary contacts Q13



Spare auxiliary contacts Q15



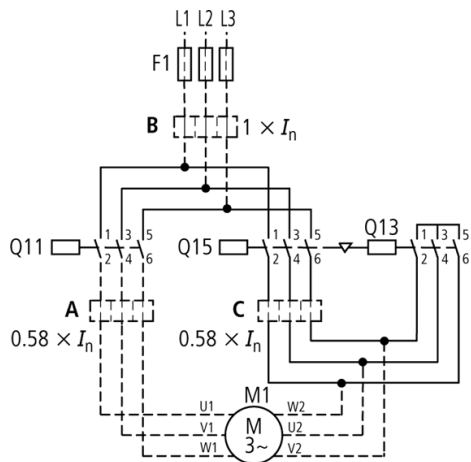
Notes concerning the product group



Accessories

- 1 Overload relay → 278431
- Accessories → 281199
- Further actuating voltages → 278277

Notes concerning the product group



Overload relay settings

Starting

A: $I_N \times 0.58$	$\approx 15 \text{ s}$
Protection of the motor in Y- and Δ configuration	
B: $I_N \times 1$	15 – 40 s
Only partial motor protection in star position	
C: $I_N \times 0.58$	> 40 s
Motor not protected in star position	
Timing relay set to approx. 10 s	

Main circuit:

Depending on the coordination type required (i.e. Type “1” or Type “2”) it must be established whether the fuse protection and the input wiring for the mains contactor and delta contactor are to be common or separate.

Moeller GmbH, Hein-Moeller-Str. 7-11, D-53115 Bonn
 E-Mail: catalog@moeller.net, Internet: www.moeller.net, <http://catalog.moeller.net>
 Copyright 2006 by Moeller GmbH. Subject to modifications. HPL-C2006GB-INT V2.3