

"NEW" AdvancedTCA Power Connector (Continued)

Board-to-Board Products

AdvancedTCA Power Connectors (zone 1)

**Front Board Connector
Right Angle, Compliant
Press Fit
Part Number 1766500-1**

Material and Finish

Insulators – Thermoplastic, glass reinforced, UL 94V-0

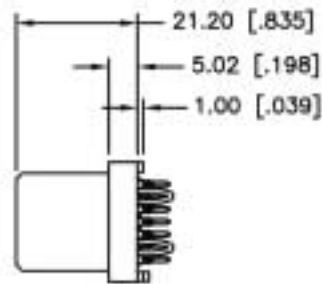
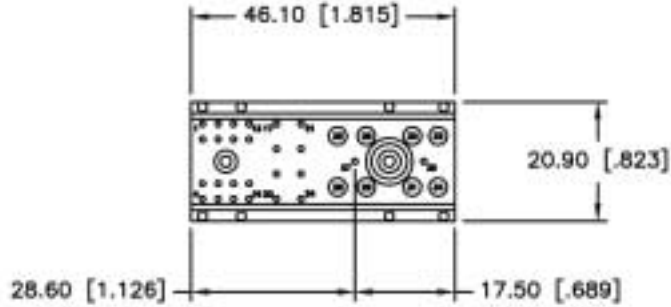
Signal Pins – Copper alloy

Power Contacts – High conductivity copper alloy, plated 0.00076 [0.00030] min. gold in mating area over 0.00127 [0.00050] min. nickel

Compliant PCB Tails – 0.0030 – 0.0043 [0.00120 - .000170] tin plated, matt finish

Notes:

1. Mounting hardware - self tapping screw (customer supplied) can be used but not required
2. Positions 1-4 not populated and reserved for future use.



**Backplane Connector
Straight, Compliant
Press Fit
Part Number 1766501-1**

Material and Finish

Insulators – Thermoplastic, glass reinforced, UL 94V-0

Signal Pins – Copper alloy

Power Contacts – High conductivity copper alloy, plated 0.00076 [0.00030] min. gold in mating area over 0.00127 [0.00050] min. nickel

Compliant PCB Tails – 0.0030 – 0.0043 [0.00120 - .000170] tin plated, matt finish

Notes:

1. Mounting hardware - self tapping screw (customer supplied) can be used but not required
2. Positions 1-4 not populated and reserved for future use.

