

**HDC insert  
HDC HQ 7 FC**

**Weidmüller Interface GmbH & Co. KG**  
 Klingenbergstraße 26  
 D-32758 Detmold  
 Germany  
 Fon: +49 5231 14-0  
 Fax: +49 5231 14-292083  
 www.weidmueller.com



The HQ series - big features in a compact design The electrical values speak for themselves. The standard HE crimp contacts can also be used here.

The wire connection level is designed as a crimp contact The established crimp connection has been used as a standard for decades.

Crimp contacts are not delivered with the inserts.

Pole count: **7 (+PE)**

Rated current: **10 A**

Rated voltage: **400 V**

Nominal voltage acc. to UL/CSA: **600 V AC/DC**

Crimp connection

**General ordering data**

Type	HDC HQ 7 FC
Order No.	<a href="#">1003180000</a>
Version	HDC insert, Female, 400 V, 10 A, Number of poles: 7, Crimp connection, Size: 1
GTIN (EAN)	4032248698172
Qty.	1 pc(s).

Creation date October 21, 2020 9:07:06 AM CEST

Catalogue status 09.10.2020 / We reserve the right to make technical changes.

**HDC insert  
HDC HQ 7 FC**

**Weidmüller Interface GmbH & Co. KG**  
 Klingenbergstraße 26  
 D-32758 Detmold  
 Germany  
 Fon: +49 5231 14-0  
 Fax: +49 5231 14-292083  
 www.weidmueller.com

**Technical data****Dimensions and weights**

Width	21 mm	Width (inches)	0.827 inch
Height	40.2 mm	Height (inches)	1.583 inch
Depth	21 mm	Depth (inches)	0.827 inch
Net weight	13.2 g		

**Temperatures**

Limit temperature	-40 °C ... 125 °C
-------------------	-------------------

**Environmental Product Compliance**

REACH SVHC	Lead 7439-92-1, Potassium perfluorobutane sulfonate 29420-49-3
------------	--

**Dimensions**

Height of socket	40.2 mm	Total length base	21 mm
------------------	---------	-------------------	-------

**General data**

Insulating material	PC glass-fibre reinforced (UL-listed and railway- certified)	Insulating material group	IIIa
Insulation strength	$10^{10} \Omega$	Number of poles	7
Plugging cycles, gold	$\geq 500$	Plugging cycles, silver	$\geq 500$
Pollution severity	3	Rated current (DIN EN 61984)	10 A
Rated impulse voltage (DIN EN 61984)	6 kV	Rated voltage (DIN EN 61984)	400 V
Rated voltage according to UL/CSA	600 V AC/DC	Series	HQ
Size	1	Type	Female
UL 94 flammability rating	V-0	Volume resistance	$\leq 4m\Omega$

**Connection data PE**

Blade size, slotted (PE connection)	SD 0.6 x 3.5	Connection type PE	Screw connection
Fixing screw	M 3	Rated cross-section	2.5 mm <sup>2</sup>
Stripping length PE connection	5 mm	Tightening torque, max. PE connection	0.55 Nm
Tightening torque, min. PE connection	0.5 Nm	Wire cross section, AWG (PE), max.	AWG 14
Wire cross section, AWG (PE), min.	AWG 26		

**Version**

Conductor cross-section, max.	2.5 mm <sup>2</sup>	Conductor cross-section, min.	0.14 mm <sup>2</sup>
Size	1	Stripping length, rated connection	8 mm
Type of connection	Crimp connection	Volume resistance	$\leq 4m\Omega$
Wire connection cross section AWG, max.	AWG 14	Wire connection cross section AWG, min.	AWG 26
Wire connection cross section, finely stranded, max.	2.5 mm <sup>2</sup>	Wire connection cross-section, finely stranded with wire-end ferrules DIN 46228/4, max.	2.5 mm <sup>2</sup>
Wire connection cross-section, finely stranded with wire-end ferrules DIN 46228/4, min.	0.14 mm <sup>2</sup>	Wire connection cross-section, finely stranded, min.	0.14 mm <sup>2</sup>

**Data sheet**

**HDC insert  
HDC HQ 7 FC**

**Weidmüller Interface GmbH & Co. KG**  
 Klingenbergstraße 26  
 D-32758 Detmold  
 Germany  
 Fon: +49 5231 14-0  
 Fax: +49 5231 14-292083  
 www.weidmueller.com

**Technical data**

**Classifications**

ETIM 6.0	EC000438	ETIM 7.0	EC000438
eClass 9.0	27-44-02-05	eClass 9.1	27-44-02-05
eClass 10.0	27-44-02-05	UNSPSC	30-21-18-01

**Approvals**

Approvals



ROHS Conform

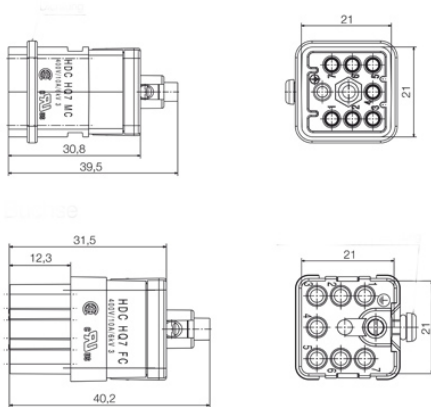
**Downloads**

Brochure/Catalogue	<a href="#">CAT 3 HDC 17/18 EN</a> <a href="#">FL FIELDWIRING EN</a>
Engineering Data	<a href="#">EPLAN, WSCAD</a>
Engineering Data	<a href="#">STEP</a>

**HDC insert  
HDC HQ 7 FC**

**Weidmüller Interface GmbH & Co. KG**  
Klingenbergstraße 26  
D-32758 Detmold  
Germany  
Fon: +49 5231 14-0  
Fax: +49 5231 14-292083  
[www.weidmueller.com](http://www.weidmueller.com)

**Drawings**



**HDC insert  
HDC HQ 7 FC**

**Weidmüller Interface GmbH & Co. KG**  
 Klingenbergstraße 26  
 D-32758 Detmold  
 Germany  
 Fon: +49 5231 14-0  
 Fax: +49 5231 14-292083  
 www.weidmueller.com

**Accessories**

**CTIN / CTX**



**Crimping tools for turned contacts**

- Ratchet guarantees precise crimping
- Release option in the event of incorrect operation
- With stop for exact positioning of the contacts.

**General ordering data**

Type	CTIN CM 1.6/2.5	Version
Order No.	<a href="#">9205430000</a>	Pressing tool, Crimping tool for contacts, 0.14mm <sup>2</sup> , 6mm <sup>2</sup> , 4-indent
GTIN (EAN)	4032248733446	crimp
Qty.	1 pc(s).	
Type	CTX CM 1.6/2.5	Version
Order No.	<a href="#">9018490000</a>	Pressing tool, Crimping tool for contacts, 0.14mm <sup>2</sup> , 4mm <sup>2</sup> , W crimp
GTIN (EAN)	4008190884598	
Qty.	1 pc(s).	

**Slotted screwdriver**

Slotted screwdriver with rounded blade SD DIN 5265, ISO 2380/2, output to DIN 5264, ISO 2380/1. ChromTop tip, SoftFinish grip



**General ordering data**

Type	SDS 0.6X3.5X100	Version
Order No.	<a href="#">9008330000</a>	Screwdriver, Blade width (B): 3.5 mm, Blade length: 100 mm, Blade thickness (A): 0.6 mm
GTIN (EAN)	4032248056286	
Qty.	1 pc(s).	
Type	SDS 0.8X4.0X100	Version
Order No.	<a href="#">9008340000</a>	Screwdriver, Blade width (B): 4 mm, Blade length: 100 mm, Blade thickness (A): 0.8 mm
GTIN (EAN)	4032248056293	
Qty.	1 pc(s).	

**Data sheet**

**HDC insert  
HDC HQ 7 FC**

**Weidmüller Interface GmbH & Co. KG**  
 Klingenbergstraße 26  
 D-32758 Detmold  
 Germany  
 Fon: +49 5231 14-0  
 Fax: +49 5231 14-292083  
 www.weidmueller.com

**Accessories**

**Slotted screwdriver**

VDE insulated slot-head screwdriver, SDI DIN 7437, ISO 2380/2, drive output acc. to DIN 5264, ISO 2380/1. SoftFinish grip



**General ordering data**

Type	SDIS 0.6X3.5X100	Version
Order No.	<a href="#">9008390000</a>	Screwdriver, Blade width (B): 3.5 mm, Blade length: 100 mm, Blade thickness (A): 0.6 mm
GTIN (EAN)	4032248056354	
Qty.	1 pc(s).	
Type	SDIS 0.8X4.0X100	Version
Order No.	<a href="#">9008400000</a>	Screwdriver, Blade width (B): 4 mm, Blade length: 100 mm, Blade thickness (A): 0.8 mm
GTIN (EAN)	4032248056361	
Qty.	1 pc(s).	

**HQ 7**

Various accessories are available for our inserts. This includes coding elements for the inserts.



**General ordering data**

Type	HDC HQ 7 CPF	Version
Order No.	<a href="#">1003220000</a>	Heavy-duty connectors, Accessories, Coding System
GTIN (EAN)	4032248698219	
Qty.	50 pc(s).	

**HDC insert  
HDC HQ 7 FC**

**Weidmüller Interface GmbH & Co. KG**  
 Klingenbergstraße 26  
 D-32758 Detmold  
 Germany  
 Fon: +49 5231 14-0  
 Fax: +49 5231 14-292083  
 www.weidmueller.com

**Accessories**

**Non-contact tools**



Tools for dismantling Weidmüller crimp contacts

**General ordering data**

Type	REMOVAL TOOL HD	Version
Order No.	<a href="#">1866730000</a>	Tools, Contact Removal Tool
GTIN (EAN)	4032248437054	
Qty.	1 pc(s).	

**Crimp contacts HD**



Crimps provide a electrical and mechanical connection between wire and contact that is both secure and reliable. The optimal crimp connection is gas-tight and corrosion-resistant.

**General ordering data**

Type	HDC-C-HD-BM2.5AU	Version
Order No.	<a href="#">1651710000</a>	Heavy-duty connectors, Crimp contact, HD, HDD, HQ, MixMate,
GTIN (EAN)	4008190400385	Female, Conductor cross-section, max.: 2.5, turned, Copper alloy
Qty.	100 pc(s).	
Type	HDC-C-HD-BM0.75-1.00AG	Version
Order No.	<a href="#">1601760000</a>	Heavy-duty connectors, Crimp contact, HD, HDD, HQ, MixMate,
GTIN (EAN)	4008190158354	Female, Conductor cross-section, max.: 1, turned, Copper alloy
Qty.	100 pc(s).	
Type	HDC-C-HD-BM0.14-0.37AG	Version
Order No.	<a href="#">1651570000</a>	Heavy-duty connectors, Crimp contact, HD, HDD, HQ, MixMate,
GTIN (EAN)	4008190400248	Female, Conductor cross-section, max.: 0.37, turned, Copper alloy
Qty.	100 pc(s).	
Type	HDC-C-HD-BM0.5AU	Version
Order No.	<a href="#">1651680000</a>	Heavy-duty connectors, Crimp contact, HD, HDD, HQ, MixMate,
GTIN (EAN)	4008190400354	Female, Conductor cross-section, max.: 0.5, turned, Copper alloy
Qty.	100 pc(s).	
Type	HDC-C-HD-BM0.5AG	Version
Order No.	<a href="#">1651580000</a>	Heavy-duty connectors, Crimp contact, HD, HDD, HQ, MixMate,
GTIN (EAN)	4008190400255	Female, Conductor cross-section, max.: 0.5, turned, Copper alloy
Qty.	100 pc(s).	

## HDC insert HDC HQ 7 FC

**Weidmüller Interface GmbH & Co. KG**  
 Klingenbergstraße 26  
 D-32758 Detmold  
 Germany  
 Fon: +49 5231 14-0  
 Fax: +49 5231 14-292083  
 www.weidmueller.com

## Accessories

Type	HDC-C-HD-BM2.5AG	Version
Order No.	<a href="#">1651610000</a>	Heavy-duty connectors, Crimp contact, HD, HDD, HQ, MixMate,
GTIN (EAN)	4008190400286	Female, Conductor cross-section, max.: 2.5, turned, Copper alloy
Qty.	100 pc(s).	
Type	HDC-C-HD-BM0.14-0.37AU	Version
Order No.	<a href="#">1651670000</a>	Heavy-duty connectors, Crimp contact, HD, HDD, HQ, MixMate,
GTIN (EAN)	4008190400347	Female, Conductor cross-section, max.: 0.37, turned, Copper alloy
Qty.	100 pc(s).	
Type	HDC-C-HD-BM1.5AU	Version
Order No.	<a href="#">1651700000</a>	Heavy-duty connectors, Crimp contact, HD, HDD, HQ, MixMate,
GTIN (EAN)	4008190400378	Female, Conductor cross-section, max.: 1.5, turned, Copper alloy
Qty.	100 pc(s).	
Type	HDC-C-HD-BM1.5AG	Version
Order No.	<a href="#">1651600000</a>	Heavy-duty connectors, Crimp contact, HD, HDD, HQ, MixMate,
GTIN (EAN)	4008190400279	Female, Conductor cross-section, max.: 1.5, turned, Copper alloy
Qty.	100 pc(s).	
Type	HDC-C-HD-BM0.75-1.00AU	Version
Order No.	<a href="#">1651690000</a>	Heavy-duty connectors, Crimp contact, HD, HDD, HQ, MixMate,
GTIN (EAN)	4008190400361	Female, Conductor cross-section, max.: 1, turned, Copper alloy
Qty.	100 pc(s).	



# Tightening torques and screwing tools

Screw size	Connector type	Dia. tightening torque in Nm	Recommended blade inserts and AF size for hexagon socket	
<b>M 2.5</b>	<b>Signal contacts</b>			
	S 6/6	0.5 - 0.55	SD 0.6 x 3.5 mm or PZ0	
	S 6/12	0.5 - 0.55	SD 0.6 x 3.5 mm or PZ0	
<b>M 2.9 x 0.5</b>	<b>Fastening screws</b>			
	HQ 4/2	0.8 (plastic) / 1.1 (metal)	SD 0.6 x 3.5 mm or PH0	
	HQ 8	0.8 (plastic) / 1.1 (metal)	SD 0.6 x 3.5 mm or PH0	
	HQ 17	0.8 (plastic) / 1.1 (metal)	SD 0.6 x 3.5 mm or PH0	
<b>M 3</b>	<b>Contact screws</b>			
	HA 3	0.5 - 0.55	SD 0.5 x 3.0 mm	
	HA 4	0.5 - 0.55	SD 0.5 x 3.0 mm	
	HA 10 bis HA 48	0.5 - 0.55	SD 0.6 x 3.5 mm or PH0	
	HE	0.5 - 0.55	SD 0.6 x 3.5 mm or PZ0	
	HVE	0.5 - 0.55	SD 0.6 x 3.5 mm or PZ0	
	<b>Signal contacts:</b>			
	S 4/2	0.5 - 0.55	SD 0.6 x 3.5 mm or PZ0	
	S 4/8	0.5 - 0.55	SD 0.6 x 3.5 mm or PZ0	
	<b>PE connection via female contact</b>			
	S 4	0.5 - 0.8	SD 0.6 x 3.5 mm	
	ConCept modular frame, metal	0.5 - 0.55	SD 0.6 x 3.5 mm	
	<b>PE terminal</b>			
	HQ 5	0.5 - 0.55	SD 0.6 x 3.5 or 0.8 x 4 mm	
	HQ 7	0.5 - 0.55	SD 0.6 x 3.5 or 0.8 x 4 mm	
	<b>Fastening screws</b>	0.5 - 0.55	SD 0.6 x 3.5 mm or PZ0	
	<b>Guide pin</b>	0.5 - 0.55	SD 0.6 x 3.5 mm or PZ0	
	<b>Guide bush</b>	0.5 - 0.55	SD 0.6 x 3.5 mm or PZ0	
	<b>Coding pins</b>	0.5 - 0.55	SD 0.6 x 3.5 mm or PZ0	
	<b>M 4</b>	<b>Contact screws</b>		
		HSB	1.2 - 1.5	SD 0.6 x 3.5 or 0.8 x 4 mm or PZ1
<b>PE connection via male contact</b>				
S 4		0.5 - 0.8	SD 0.6 x 3.5 mm	
ConCept modular frame, metal		1.2 - 1.5	SD 0.6 x 3.5 mm	
<b>PE terminal</b>				
HA		1.2 - 1.5	SD 0.6 x 3.5 or 0.8 x 4 mm or PH1	
HE		1.2 - 1.5	SD 0.6 x 3.5 or 0.8 x 4 mm or PH1	
HEE		1.2 - 1.5	SD 0.6 x 3.5 or 0.8 x 4 mm or PH1	
HVE		1.2 - 1.5	SD 0.6 x 3.5 or 0.8 x 4 mm or PH1	
HD		1.2 - 1.5	SD 0.6 x 3.5 or 0.8 x 4 mm or PZ1	
HDD		1.2 - 1.5	SD 0.6 x 3.5 or 0.8 x 4 mm or PZ1	
S 6/6 (for signal contacts)		1.2 - 1.5	0.8 x 4 mm or PZ1	
ConCept modular frame, plastic		1.2 - 1.5	0.8 x 4 mm or PZ1	
<b>M 5</b>		<b>PE terminal</b>		
	HSB	2 - 2.5	SD 1 x 5.5 mm or PZ2	
	S 4/0 (Screw connection)	2 - 2.5	SD 1.2 x 6.5 mm or PH2	
	S 4/0 (Axial screw connection)	2 - 2.5	SD 0.8 x 4 mm or PZ 2	
	S 4/2	2 - 2.5	SD 1.2 x 6.5 mm or PH2	
	S 4/8	2 - 2.5	SD 1.2 x 6.5 mm or PH2	
	S 6/12	2 - 2.5	SD 0.8 x 4 mm or PZ 2	
	S 6/36	2 - 2.5	SD 1.2 x 6.5 mm or PH2	
	S 8/24	2 - 2.5	SD 1.2 x 6.5 mm or PH2	
	S 12/2	2 - 2.5	SD 1.2 x 6.5 mm or PH2	
	<b>M 6</b>	<b>Power contacts</b>		
S 4/0 (Screw connection)		1.2 (1.5 mm <sup>2</sup> ) / 2 (2.5 mm <sup>2</sup> ) / 3 (4-16 mm <sup>2</sup> )	SD 0.8 x 4 mm	
S 4/2		1.2 (1.5 mm <sup>2</sup> ) / 2 (2.5 mm <sup>2</sup> ) / 3 (4-16 mm <sup>2</sup> )	SD 0.8 x 4 mm	
S 4/8		1.2 (1.5 mm <sup>2</sup> ) / 2 (2.5 mm <sup>2</sup> ) / 3 (4-16 mm <sup>2</sup> )	SD 0.8 x 4 mm	
<b>M 7 x 0.75</b>	<b>Power contacts</b>			
	S 4	1.1 - 1.7	SW 2	
	S 6/6 (+ PE)	6 - 8	SW 4	
<b>M 8 x 0.75</b>	<b>Power contacts</b>			
	S 6/12	1.1 - 1.7	SW 2	
	S 8/0 (+ PE)	6 (10-16 mm <sup>2</sup> ) - 7 (25 mm <sup>2</sup> )	SW 4	
<b>M10 x 1</b>	<b>Power contacts</b>			
	S 4/0 (Axial connection)	2 - 3	SW 3	

Increasing the tightening torque does not improve the contact resistance. The stated torque settings offer optimal mechanical, thermal and electrical conditions. Exceeding the recommended values may even damage the conductor and terminal.