

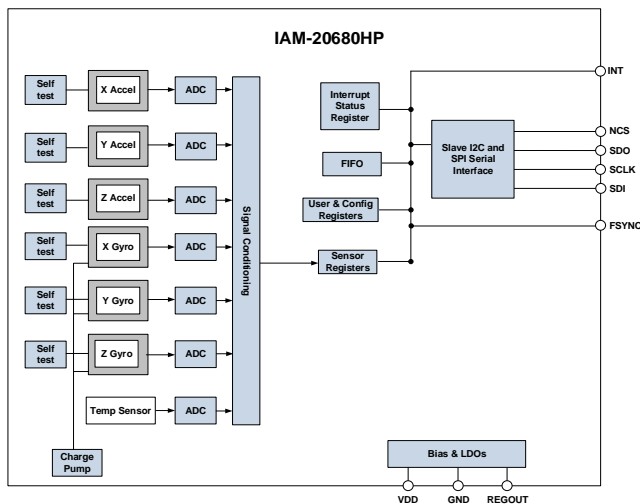
## GENERAL DESCRIPTION

The IAM-20680HP is a 6-axis MotionTracking device for Automotive non-safety applications that combines a 3-axis gyroscope and a 3-axis accelerometer in a small 3x3x0.75mm<sup>3</sup> (16-pin LGA) package. It also features a 4096-byte FIFO that can lower the traffic on the serial bus interface and reduce power consumption by allowing the system processor to burst read sensor data and then go into a low-power mode. IAM-20680HP, with its 6-axis integration, enables manufacturers to eliminate the costly and complex selection, qualification, and system level integration of discrete devices, guaranteeing optimal motion performance.

The gyroscope has a programmable full-scale range of  $\pm 250$  dps,  $\pm 500$  dps,  $\pm 1000$  dps and  $\pm 2000$  dps. The accelerometer has a user-programmable accelerometer full-scale range of  $\pm 2g$ ,  $\pm 4g$ ,  $\pm 8g$ , and  $\pm 16g$ . Factory-calibrated initial sensitivity of both sensors reduces production-line calibration requirements.

Other industry-leading features include on-chip 16-bit ADCs, programmable digital filters, an embedded temperature sensor, and programmable interrupts. The device features I<sup>2</sup>C and SPI serial interfaces, a VDD operating range of 1.71V to 3.6V, and a separate digital IO supply, VDDIO from 1.71V to 3.6V.

## BLOCK DIAGRAM



## APPLICATIONS

IAM-20680HP addresses a wide range of Automotive applications, including but not limited to:

- Navigation Systems Aids for Dead Reckoning
- Lift Gate Motion Detection
- Accurate Location for Vehicle to Vehicle and Infrastructure
- Camera Stabilization and Vision Systems
- Head-up display (HUD) and augmented reality HUD
- Telematics and Car Alarm
- Insurance Vehicle Tracking

## ORDERING INFORMATION

| PART         | AXES  | TEMP RANGE      | PACKAGE    | MSL* |
|--------------|-------|-----------------|------------|------|
| IAM-20680HP† | X,Y,Z | -40°C to +105°C | 16-Pin LGA | 3    |

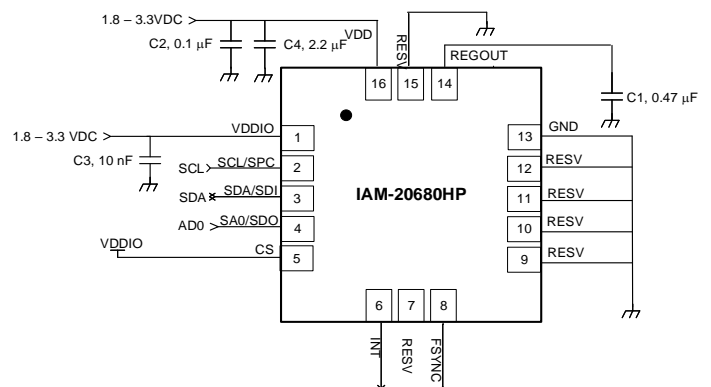
†Denotes RoHS and Green-compliant package

\* Moisture sensitivity level of the package

## FEATURES

- Digital-output X-, Y-, and Z-axis angular rate sensors with a user-programmable full-scale range of  $\pm 250$ dps,  $\pm 500$ dps,  $\pm 1000$ dps, and  $\pm 2000$ dps.
- Digital-output X-, Y-, and Z-axis accelerometer with a user-programmable full-scale range of  $\pm 2g$ ,  $\pm 4g$ ,  $\pm 8g$ , and  $\pm 16g$
- Integrated 16-bit ADCs
- User-programmable digital filters for gyroscope, accelerometer, and temperature sensor
- Embedded Self-test
- Wake-on-motion interrupt for low power operation of applications processor
- Reliability testing performed according to AEC-Q100: PPAP and qualification data available upon request
- Final test at -40°C, 25°C, and 105°C

## TYPICAL OPERATING CIRCUIT



**TABLE OF CONTENTS**

General Description ..... 1

Block Diagram ..... 1

Applications ..... 1

Ordering Information..... 1

Features ..... 1

Typical Operating Circuit..... 1

TABLE OF CONTENTS..... 2

LIST OF FIGURES..... 5

LIST OF TABLES..... 6

1 Introduction ..... 7

    1.1 Purpose and Scope..... 7

    1.2 Product Overview..... 7

    1.3 Applications..... 7

2 Features ..... 8

    2.1 Gyroscope Features ..... 8

    2.2 Accelerometer Features..... 8

    2.3 Additional Features ..... 8

3 Electrical Characteristics ..... 9

    3.1 Gyroscope Specifications ..... 9

    3.2 Accelerometer Specifications..... 10

    3.3 Electrical Specifications ..... 11

    3.4 I<sup>2</sup>C Timing Characterization ..... 14

    3.5 SPI Timing Characterization ..... 15

    3.6 Absolute Maximum Ratings ..... 16

    3.7 Thermal Information ..... 16

4 Applications Information ..... 17

    4.1 Pin Out Diagram and Signal Description ..... 17

    4.2 Typical Operating Circuit ..... 18

    4.3 Bill of Materials for External Components ..... 18

    4.4 Block Diagram ..... 19

    4.5 Overview ..... 19

    4.6 Three-Axis MEMS Gyroscope with 16-bit ADCs and Signal Conditioning ..... 20

    4.7 Three-Axis MEMS Accelerometer with 16-bit ADCs and Signal Conditioning..... 20

    4.8 I<sup>2</sup>C and SPI Serial Communications Interfaces ..... 20

    4.9 Self-Test..... 21

    4.10 Clocking..... 21

    4.11 Sensor Data Registers ..... 21

    4.12 FIFO..... 22

    4.13 Interrupts..... 22

|      |   |    |
|------|---|----|
| 4.14 | Digital-Output Temperature Sensor .....                     | 22 |
| 4.15 | Bias and LDOs .....   | 22 |
| 4.16 | Charge Pump .....   | 22 |
| 4.17 | Standard Power Modes .....                                  | 22 |
| 4.18 | Sensor Initialization and Basic Configuration .....         | 22 |
| 5    | Programmable Interrupts .....                               | 24 |
| 5.1  | Wake-on-Motion Interrupt .....                              | 24 |
| 6    | Digital Interface .....                                     | 25 |
| 6.1  | I <sup>2</sup> C and SPI Serial Interfaces .....            | 25 |
| 6.2  | I <sup>2</sup> C Interface.....                             | 25 |
| 6.3  | IC Communications Protocol.....                             | 25 |
| 6.4  | I <sup>2</sup> C Terms .....                                | 27 |
| 6.5  | SPI Interface .....   | 28 |
| 7    | Serial Interface Considerations.....                        | 29 |
| 7.1  | IAM-20680HP Supported Interfaces .....                      | 29 |
| 8    | Register Map.....   | 30 |
| 9    | Register Descriptions .....                                 | 32 |
| 9.1  | Registers 0 to 2 – Gyroscope Self-Test Registers .....      | 32 |
| 9.2  | Registers 13 to 15 – Accelerometer Self-Test Registers..... | 32 |
| 9.3  | Register 19 – Gyro Offset Adjustment Register .....         | 32 |
| 9.4  | Register 20 – Gyro Offset Adjustment Register .....         | 33 |
| 9.5  | Register 21 – Gyro Offset Adjustment Register .....         | 33 |
| 9.6  | Register 22 – Gyro Offset Adjustment Register .....         | 33 |
| 9.7  | Register 23 – Gyro Offset Adjustment Register .....         | 34 |
| 9.8  | Register 24 – Gyro Offset Adjustment Register .....         | 34 |
| 9.9  | Register 25 – Sample Rate Divider .....                     | 34 |
| 9.10 | Register 26 – Configuration .....                           | 34 |
| 9.11 | Register 27 – Gyroscope Configuration .....                 | 35 |
| 9.12 | Register 28 – Accelerometer Configuration .....             | 35 |
| 9.13 | Register 29 – Accelerometer Configuration 2.....            | 36 |
| 9.14 | Register 30 – Low Power Mode Configuration .....            | 37 |
| 9.15 | Register 31 – Wake-on Motion Threshold (Accelerometer)..... | 38 |
| 9.16 | Register 35 – FIFO Enable .....                             | 39 |
| 9.17 | Register 54 – FSYNC Interrupt Status.....                   | 39 |
| 9.18 | Register 55 – INT Pin / Bypass Enable Configuration.....    | 39 |
| 9.19 | Register 56 – Interrupt Enable .....                        | 40 |
| 9.20 | Register 58 – Interrupt Status.....                         | 40 |
| 9.21 | Registers 59 to 64 – Accelerometer Measurements .....       | 40 |
| 9.22 | Registers 65 and 66 – Temperature Measurement.....          | 41 |
| 9.23 | Registers 67 to 72 – Gyroscope Measurements .....           | 41 |

---

|      |  |    |
|------|--|----|
| 9.24 | Register 104 – Signal Path Reset.....                                      | 42 |
| 9.25 | Register 105 – Accelerometer Intelligence Control.....                     | 42 |
| 9.26 | Register 106 – User Control.....   | 43 |
| 9.27 | Register 107 – Power Management 1 .....                                    | 43 |
| 9.28 | Register 108 – Power Management 2 .....                                    | 44 |
| 9.29 | Registers 114 and 115 – FIFO Count Registers .....                         | 44 |
| 9.30 | Register 116 – FIFO Read Write.....  | 45 |
| 9.31 | Register 117 – Who Am I .....  | 45 |
| 9.32 | Registers 119, 120, 122, 123, 125, 126 Accelerometer Offset Registers..... | 45 |
| 10   | Assembly.....  | 47 |
| 10.1 | Orientation of Axes.....   | 47 |
| 10.2 | Package Dimensions .....   | 48 |
| 11   | Part Number Package Marking .....  | 50 |
| 12   | Reference.....   | 51 |
| 13   | Revision History .....   | 52 |

**LIST OF FIGURES**

Figure 1. I<sup>2</sup>C Bus Timing Diagram ..... 14

Figure 2. SPI Bus Timing Diagram..... 15

Figure 3. Pin out Diagram for IAM-20680HP 3.0x3.0x0.75 mm<sup>3</sup> LGA ..... 17

Figure 4. IAM-20680HP LGA Application Schematic ..... 18

Figure 5. IAM-20680HP Block Diagram ..... 19

Figure 6. IAM-20680HP Solution Using I<sup>2</sup>C Interface ..... 20

Figure 7. IAM-20680HP Solution Using SPI Interface..... 21

Figure 8. START and STOP Conditions..... 25

Figure 9. Acknowledge on the I<sup>2</sup>C Bus ..... 26

Figure 10. Complete I<sup>2</sup>C Data Transfer..... 26

Figure 11. Typical SPI Master/Slave Configuration ..... 28

Figure 12. I/O Levels and Connections..... 29

Figure 13. Orientation of Axes of Sensitivity and Polarity of Rotation ..... 47

Figure 14. Package Dimensions..... 48

Figure 15. Part Number Package Marking ..... 50

## LIST OF TABLES

|  |    |
|--|----|
| Table 1. Gyroscope Specifications .....  | 9  |
| Table 2. Accelerometer Specifications .....  | 10 |
| Table 3. D.C. Electrical Characteristics .....   | 11 |
| Table 4. A.C. Electrical Characteristics .....   | 13 |
| Table 5. Other Electrical Specifications .....   | 13 |
| Table 6. I <sup>2</sup> C Timing Characteristics .....   | 14 |
| Table 7. SPI Timing Characteristics (8 MHz Operation) .....                                      | 15 |
| Table 8. Absolute Maximum Ratings .....  | 16 |
| Table 9. Thermal Information .....   | 16 |
| Table 10. Signal Descriptions .....  | 17 |
| Table 11. Bill of Materials .....  | 18 |
| Table 12. Standard Power Modes for IAM-20680HP .....   | 22 |
| Table 13. Table of Interrupt Sources .....   | 24 |
| Table 14. Serial Interface .....   | 25 |
| Table 15. I <sup>2</sup> C Terms .....   | 27 |
| Table 16. Register Map .....   | 31 |
| Table 17. Configuration .....  | 35 |
| Table 18. Accelerometer Data Rates and Bandwidths (Low Noise Mode) .....                         | 36 |
| Table 19. Accelerometer Filter Bandwidths, Noise, and Current Consumption (Low-Power Mode) ..... | 37 |
| Table 20. Example Configurations for Gyroscope Low-Power Mode .....                              | 38 |
| Table 21. Package Dimensions .....   | 49 |
| Table 22. Part Number Package Marking .....  | 50 |

## 1 INTRODUCTION

### 1.1 PURPOSE AND SCOPE

This document is a product specification, providing description, specifications, and design related information on the IAM-20680HP Automotive MotionTracking device. The device is housed in a small 3x3x0.75 mm<sup>3</sup> 16-pin LGA package.

### 1.2 PRODUCT OVERVIEW

The IAM-20680HP is a 6-axis MotionTracking device for Automotive non-safety applications, that combines a 3-axis gyroscope and a 3-axis accelerometer in a small 3x3x0.75 mm (16-pin LGA) package. It also features a 4096-byte FIFO that can lower the traffic on the serial bus interface and reduce power consumption by allowing the system processor to burst read sensor data and then go into a low-power mode. IAM-20680HP, with its 6-axis integration, enables manufacturers to eliminate the costly and complex selection, qualification, and system level integration of discrete devices, guaranteeing optimal motion performance.

The gyroscope has a programmable full-scale range of  $\pm 250$  dps,  $\pm 500$  dps,  $\pm 1000$  dps, and  $\pm 2000$  dps. The accelerometer has a user-programmable accelerometer full-scale range of  $\pm 2g$ ,  $\pm 4g$ ,  $\pm 8g$ , and  $\pm 16g$ . Factory-calibrated initial sensitivity of both sensors reduces production-line calibration requirements.

Other industry-leading features include on-chip 16-bit ADCs, programmable digital filters, an embedded temperature sensor, and programmable interrupts. The device features I<sup>2</sup>C and SPI serial interfaces, a VDD operating range of 1.71V to 3.6V, and a separate digital IO supply, VDDIO from 1.71V to 3.6V.

Communication with all registers of the device is performed using either I<sup>2</sup>C at 400 kHz or SPI at 8 MHz.

By leveraging its patented and volume-proven CMOS-MEMS fabrication platform, which integrates MEMS wafers with companion CMOS electronics through wafer-level bonding, TDK-InvenSense has driven the package size down to a footprint and thickness of 3x3x0.75 mm (16-pin LGA), to provide a very small yet high-performance, low-cost package. The device provides high robustness by supporting 10,000g shock reliability.

### 1.3 APPLICATIONS

- Navigation Systems Aids for Dead Reckoning
- Lift Gate Motion Detections
- Accurate Location for Vehicle to Vehicle and Infrastructure
- View Camera Stabilization and Vision Systems
- Head-up display (HUD) and augmented reality HUD
- Car Alarm
- Telematics
- Insurance Vehicle Tracking

## 2 FEATURES

### 2.1 GYROSCOPE FEATURES

The triple-axis MEMS gyroscope in the IAM-20680HP includes a wide range of features:

- Digital-output X-, Y-, and Z-axis angular rate sensors (gyroscopes) with a user-programmable full-scale range of  $\pm 250$  dps,  $\pm 500$  dps,  $\pm 1000$  dps and  $\pm 2000$  dps and integrated 16-bit ADCs
- Digitally-programmable low-pass filter
- Factory calibrated sensitivity scale factor
- Self-test

### 2.2 ACCELEROMETER FEATURES

The triple-axis MEMS accelerometer in IAM-20680HP includes a wide range of features:

- Digital-output X-, Y-, and Z-axis accelerometer with a programmable full-scale range of  $\pm 2g$ ,  $\pm 4g$ ,  $\pm 8g$  and  $\pm 16g$  and integrated 16-bit ADCs
- User-programmable interrupts
- Wake-on-motion interrupt for low power operation of applications processor
- Self-test

### 2.3 ADDITIONAL FEATURES

The IAM-20680HP includes the following additional features:

- Smallest and thinnest LGA package for portable devices: 3x3x0.75 mm (16-pin LGA)
- Minimal cross-axis sensitivity between the accelerometer and gyroscope axes
- 4096-byte FIFO buffer enables the applications processor to read the data in bursts
- Digital-output temperature sensor
- User-programmable digital filters for gyroscope, accelerometer, and temperature sensor
- 10,000g shock tolerant
- 400 kHz Fast Mode I<sup>2</sup>C for communicating with all registers
- 8 MHz SPI serial interface for communicating with all registers
- MEMS structure hermetically sealed and bonded at wafer level
- RoHS and Green compliant



### 3 ELECTRICAL CHARACTERISTICS

#### 3.1 GYROSCOPE SPECIFICATIONS

Typical Operating Circuit of section 4.2, VDD = 1.8V, VDDIO = 1.8V, T<sub>A</sub> = 25°C, Full Scale = 2000dps, Low Noise Mode enabled unless otherwise noted.

All Zero-rate output, sensitivity, and noise specifications include board soldering effects, unless otherwise noted.

| PARAMETER                                     | CONDITIONS   | MIN | TYP   | MAX  | UNITS     | NOTES |
|---|--|-----|-------|------|-----------|-------|
| <b>GYROSCOPE SENSITIVITY</b>                  |  |     |       |      |           |       |
| Full-Scale Range                              | FS_SEL=0   |     | ±250  |      | dps       | 3     |
|   | FS_SEL=1   |     | ±500  |      | dps       | 3     |
|   | FS_SEL=2   |     | ±1000 |      | dps       | 3     |
|   | FS_SEL=3   |     | ±2000 |      | dps       | 3     |
| Gyroscope ADC Word Length                     |  |     | 16    |      | bits      | 3     |
| Sensitivity Scale Factor                      | FS_SEL=0   |     | 131   |      | LSB/(dps) | 3     |
|   | FS_SEL=1   |     | 65.5  |      | LSB/(dps) | 3     |
|   | FS_SEL=2   |     | 32.8  |      | LSB/(dps) | 3     |
|   | FS_SEL=3   |     | 16.4  |      | LSB/(dps) | 3     |
| Nonlinearity                                  | Best fit straight line; 25°C                           |     | ±0.1  |      | %         | 1     |
| Cross-Axis Sensitivity                        | 25°C   |     | ±5    |      | %         | 1     |
| <b>ZERO-RATE OUTPUT (ZRO)</b>                 |  |     |       |      |           |       |
| ZRO Tolerance                                 | All axes, 25°C   |     | ±0.8  |      | dps       | 1,2   |
| ZRO Variation Over Temperature                | All axes, -40°C to +105°C                              |     | ±0.9  |      | dps       | 1,2   |
| <b>GYROSCOPE NOISE PERFORMANCE (FS_SEL=1)</b> |  |     |       |      |           |       |
| Rate Noise Spectral Density                   | 25°C, initial, Noise BW = 306 Hz<br>VDD = VDDIO = 1.8V |     | 0.005 |      | dps/√Hz   | 1,4   |
| Gyroscope Mechanical Frequencies              |  |     | 27    |      | KHz       | 2     |
| Low Pass Filter Response                      | Programmable Range                                     | 5   |       | 250  | Hz        | 3     |
| Gyroscope Start Up Time                       | From Sleep mode, 25°C                                  |     | 35    |      | ms        | 1     |
| Output Data Rate                              | Programmable, Normal (Filtered) mode                   | 4   |       | 8000 | Hz        | 1     |

**Table 1. Gyroscope Specifications**

**Notes:**

1. Based on characterization data on a limited number of parts.
2. Tested in production at component level at -40°C and/or 25°C, 105°C.
3. Guaranteed by design.
4. Calculated from Total RMS Noise.

### 3.2 ACCELEROMETER SPECIFICATIONS

Typical Operating Circuit of section 4.2, VDD = 1.8V, VDDIO = 1.8V, T<sub>A</sub> = 25°C, Full Scale = 8g, Low Noise Mode enabled unless otherwise noted.

All Zero-g output, sensitivity, and noise specifications include board soldering effects, unless otherwise noted.

| PARAMETER                               | CONDITIONS  | MIN | TYP    | MAX  | UNITS  | NOTES |
|---|---|-----|--------|------|--------|-------|
| <b>ACCELEROMETER SENSITIVITY</b>        |   |     |        |      |        |       |
| Full-Scale Range                        | AFS_SEL=0   |     | ±2     |      | g      | 3     |
|   | AFS_SEL=1   |     | ±4     |      | g      | 3     |
|   | AFS_SEL=2   |     | ±8     |      | g      | 3     |
|   | AFS_SEL=3   |     | ±16    |      | g      | 3     |
| ADC Word Length                         | Output in two's complement format                                     |     | 16     |      | bits   | 3     |
| Sensitivity Scale Factor                | AFS_SEL=0   |     | 16,384 |      | LSB/g  | 3     |
|   | AFS_SEL=1   |     | 8,192  |      | LSB/g  | 3     |
|   | AFS_SEL=2   |     | 4,096  |      | LSB/g  | 3     |
|   | AFS_SEL=3   |     | 2,048  |      | LSB/g  | 3     |
| Nonlinearity                            | Best Fit Straight Line for 2g, 25°C                                   |     | ±0.05  |      | %      | 1     |
| Cross-Axis Sensitivity                  | 25°C  |     | ±5     |      | %      | 1     |
| <b>ZERO-G OUTPUT</b>                    |   |     |        |      |        |       |
| Zero-G Level Tolerance                  | All axes, 25°C  |     | ±40    |      | mg     | 1,2   |
| Zero-G Level Variation Over Temperature | All axes, -40°C to +105°C   |     | ±15    |      | mg     | 1,2   |
| <b>NOISE PERFORMANCE</b>                |   |     |        |      |        |       |
| Power Spectral Density                  | Low noise mode, +25°C, initial, Noise BW = 235 Hz, VDD = VDDIO = 1.8V |     | 135    |      | µg/√Hz | 1,4   |
| Low Pass Filter Response                | Programmable Range  | 5   |        | 218  | Hz     | 3     |
| Accelerometer Startup Time              | From Sleep mode, 25°C   |     | 4      |      | ms     | 1     |
|   | From Cold Start, 1 ms V <sub>DD</sub> ramp                            |     | 6      |      | ms     | 1     |
| Output Data Rate                        | Low noise (active)  | 4   |        | 4000 | Hz     | 1     |

**Table 2. Accelerometer Specifications**

**Notes:**

1. Based on characterization data on a limited number of parts.
2. Tested in production at component level at -40°C and/or 25°C, 105°C.
3. Guaranteed by design.
4. Calculated from Total RMS Noise.

### 3.3 ELECTRICAL SPECIFICATIONS

#### 3.3.1 D.C. Electrical Characteristics

Typical Operating Circuit of section 4.2, VDD = 1.8V, VDDIO = 1.8V, T<sub>A</sub> = 25°C, unless otherwise noted.

| PARAMETER                              | CONDITIONS   | MIN  | TYP | MAX  | UNITS | NOTES |
|--|--|------|-----|------|-------|-------|
| <b>SUPPLY VOLTAGES</b>                 |  |      |     |      |       |       |
| VDD                                    |  | 1.71 | 1.8 | 3.6  | V     | 1     |
| VDDIO                                  |  | 1.71 | 1.8 | 3.6  | V     | 1     |
| <b>SUPPLY CURRENTS &amp; BOOT TIME</b> |  |      |     |      |       |       |
| Normal Mode                            | 6-axis Gyroscope + Accelerometer   |      | 3   |      | mA    | 1     |
|  | 3-axis Gyroscope   |      | 2.6 |      | mA    | 1     |
|  | 3-axis Accelerometer, 4 kHz ODR  |      | 390 |      | μA    | 1     |
| Full-Chip Sleep Mode                   |  |      | 6   |      | μA    | 1     |
| <b>TEMPERATURE RANGE</b>               |  |      |     |      |       |       |
| Specified Temperature Range            | Performance parameters are not applicable beyond Specified Temperature Range | -40  |     | +105 | °C    | 1, 2  |

**Table 3. D.C. Electrical Characteristics**

**Notes:**

1. Based on characterization data on a limited number of parts.
2. Based on qualification.

**3.3.2 A.C. Electrical Characteristics**

 Typical Operating Circuit of section 4.2, VDD = 1.8V, VDDIO = 1.8V, T<sub>A</sub> = 25°C, unless otherwise noted.

| PARAMETER  | CONDITIONS   | MIN                  | TYP       | MAX           | UNITS  | NOTES |
|--|--|----------------------|-----------|---------------|--------|-------|
| <b>SUPPLIES</b>  |  |                      |           |               |        |       |
| Supply Ramp Time (T <sub>RAMP</sub> )  | Monotonic ramp. Ramp rate is 10% to 90% of the final value | 0.01                 |           | 100           | ms     | 1     |
| <b>TEMPERATURE SENSOR</b>  |  |                      |           |               |        |       |
| Operating Range  | Ambient  | -40                  |           | 105           | °C     | 1     |
| Room Temperature Offset  | 25°C   |                      | 0         |               | °C     | 1     |
| Sensitivity  | Untrimmed  |                      | 326.8     |               | LSB/°C | 1     |
| <b>POWER-ON RESET</b>  |  |                      |           |               |        |       |
| Supply Ramp Time (T <sub>RAMP</sub> )  | Valid power-on RESET                                       | 0.01                 |           | 100           | ms     | 1     |
| Start-up time for register read/write  | From power-up  |                      | 11        | 100           | ms     | 1     |
|  | From sleep   |                      |           | 5             | ms     | 1     |
| <b>I<sup>2</sup>C ADDRESS</b>  | SA0 = 0  |                      | 1101000   |               |        |       |
|  | SA0 = 1  |                      | 1101001   |               |        |       |
| <b>DIGITAL INPUTS (FSYNC, SA0, SPC, SDI, CS)</b>                                 |  |                      |           |               |        |       |
| V <sub>IH</sub> , High Level Input Voltage                                       |  | 0.7*VDDIO            |           |               | V      | 1     |
| V <sub>IL</sub> , Low Level Input Voltage  |  |                      |           | 0.3*VDDIO     | V      |       |
| C <sub>i</sub> , Input Capacitance   |  |                      | < 10      |               | pF     |       |
| <b>DIGITAL OUTPUT (SDO, INT)</b>   |  |                      |           |               |        |       |
| V <sub>OH</sub> , High Level Output Voltage                                      | R <sub>LOAD</sub> =1 MΩ;                                   | 0.9*VDDIO            |           |               | V      | 1     |
| V <sub>OL1</sub> , LOW-Level Output Voltage                                      | R <sub>LOAD</sub> =1 MΩ;                                   |                      |           | 0.1*VDDIO     | V      |       |
| V <sub>OLINT</sub> , INT Low-Level Output Voltage                                | OPEN=1, 0.3 mA sink Current                                |                      |           | 0.1           | V      |       |
| Output Leakage Current   | OPEN=1   |                      | 100       |               | nA     |       |
| t <sub>INT</sub> , INT Pulse Width   | LATCH_INT_EN=0   |                      | 50        |               | μs     |       |
| <b>I<sup>2</sup>C I/O (SCL, SDA)</b>   |  |                      |           |               |        |       |
| V <sub>IL</sub> , LOW Level Input Voltage  |  | -0.5V                |           | 0.3*VDDIO     | V      | 1     |
| V <sub>IH</sub> , HIGH-Level Input Voltage                                       |  | 0.7*VDDIO            |           | VDDIO + 0.5 V | V      |       |
| V <sub>hys</sub> , Hysteresis  |  |                      | 0.1*VDDIO |               | V      |       |
| V <sub>OL</sub> , LOW-Level Output Voltage                                       | 3 mA sink current  | 0                    |           | 0.4           | V      |       |
| I <sub>OL</sub> , LOW-Level Output Current                                       | V <sub>OL</sub> =0.4V                                      |                      | 3         |               | mA     |       |
|  | V <sub>OL</sub> =0.6V                                      |                      | 6         |               | mA     |       |
| Output Leakage Current   |  |                      | 100       |               | nA     |       |
| t <sub>of</sub> , Output Fall Time from V <sub>IHmax</sub> to V <sub>ILmax</sub> | C <sub>b</sub> bus capacitance in pf                       | 20+0.1C <sub>b</sub> |           | 300           | ns     |       |

| INTERNAL CLOCK SOURCE                   |  |  |      |  |     |   |
|---|--|--|------|--|-----|---|
| Sample Rate                             | FCHOICE_B=1,2,3<br>SMPLRT_DIV=0                      |  | 32   |  | kHz | 2 |
|   | FCHOICE_B=0;<br>DLPFCFG=0 or 7<br>SMPLRT_DIV=0       |  | 8    |  | kHz | 2 |
|   | FCHOICE_B=0;<br>DLPFCFG=1,2,3,4,5,6;<br>SMPLRT_DIV=0 |  | 1    |  | kHz | 2 |
| Clock Frequency Initial Tolerance       | CLK_SEL=0, 6 or gyro<br>inactive; 25°C               |  | ±1   |  | %   | 1 |
|   | CLK_SEL=1,2,3,4,5 and gyro<br>active; 25°C           |  | ±0.2 |  | %   | 1 |
| Frequency Variation over<br>Temperature | CLK_SEL=0,6 or gyro<br>inactive                      |  | ±2   |  | %   | 1 |
|   | CLK_SEL=1,2,3,4,5 and gyro<br>active                 |  | ±0.2 |  | %   | 1 |

**Table 4. A.C. Electrical Characteristics**
**Notes:**

1. Based on characterization data on a limited number of parts.
2. Guaranteed by design.

**3.3.3 Other Electrical Specifications**

Typical Operating Circuit of section 4.2, VDD = 1.8V, VDDIO = 1.8V, T<sub>A</sub> = 25°C, unless otherwise noted.

| PARAMETER  | CONDITIONS                   | MIN | TYP              | MAX | UNITS | NOTES |
|--|------------------------------|-----|------------------|-----|-------|-------|
| <b>SERIAL INTERFACE</b>                              |                              |     |                  |     |       |       |
| SPI Operating Frequency, All<br>Registers Read/Write | Low Speed Characterization   |     | 100<br>±10%      |     | kHz   | 1     |
|  | High Speed Characterization  |     | 1                | 8   | MHz   | 1, 2  |
| SPI Modes  |                              |     | Modes 0<br>and 3 |     |       |       |
| I <sup>2</sup> C Operating Frequency                 | All registers, Fast-mode     |     |                  | 400 | kHz   | 1     |
|  | All registers, Standard-mode |     |                  | 100 | kHz   | 1     |

**Table 5. Other Electrical Specifications**
**Notes:**

1. Based on characterization data on a limited number of parts.
2. SPI clock duty cycle between 45% and 55% should be used for 8-MHz operation.

### 3.4 I<sup>2</sup>C TIMING CHARACTERIZATION

Typical Operating Circuit of section 4.2, VDD = 1.8V, VDDIO = 1.8V, T<sub>A</sub> = 25°C, unless otherwise noted.

| PARAMETERS  | CONDITIONS                                | MIN                             | TYP   | MAX | UNITS | NOTES |
|---|---|---------------------------------|-------|-----|-------|-------|
| <b>I<sup>2</sup>C TIMING</b>                                      |   | <b>I<sup>2</sup>C FAST-MODE</b> |       |     |       |       |
| f <sub>SCL</sub> , SCL Clock Frequency                            |   |                                 |       | 400 | kHz   | 1     |
| t <sub>HD,STA</sub> , (Repeated) START Condition Hold Time        |   | 0.6                             |       |     | μs    | 1     |
| t <sub>LOW</sub> , SCL Low Period                                 |   | 1.3                             |       |     | μs    | 1     |
| t <sub>HIGH</sub> , SCL High Period                               |   | 0.6                             |       |     | μs    | 1     |
| t <sub>SU,STA</sub> , Repeated START Condition Setup Time         |   | 0.6                             |       |     | μs    | 1     |
| t <sub>HD,DAT</sub> , SDA Data Hold Time                          |   | 0                               |       |     | μs    | 1     |
| t <sub>SU,DAT</sub> , SDA Data Setup Time                         |   | 100                             |       |     | ns    | 1     |
| t <sub>r</sub> , SDA and SCL Rise Time                            | C <sub>b</sub> bus cap. from 10 to 400 pF | 20+0.1C <sub>b</sub>            |       | 300 | ns    | 1     |
| t <sub>f</sub> , SDA and SCL Fall Time                            | C <sub>b</sub> bus cap. from 10 to 400 pF | 20+0.1C <sub>b</sub>            |       | 300 | ns    | 1     |
| t <sub>SU,STO</sub> , STOP Condition Setup Time                   |   | 0.6                             |       |     | μs    | 1     |
| t <sub>BUF</sub> , Bus Free Time Between STOP and START Condition |   | 1.3                             |       |     | μs    | 1     |
| C <sub>b</sub> , Capacitive Load for each Bus Line                |   |                                 | < 400 |     | pF    | 1     |
| t <sub>VD,DAT</sub> , Data Valid Time                             |   |                                 |       | 0.9 | μs    | 1     |
| t <sub>VD,ACK</sub> , Data Valid Acknowledge Time                 |   |                                 |       | 0.9 | μs    | 1     |

Table 6. I<sup>2</sup>C Timing Characteristics

**Notes:**

- Based on characterization of 5 parts over temperature and voltage as mounted on evaluation board or in sockets.

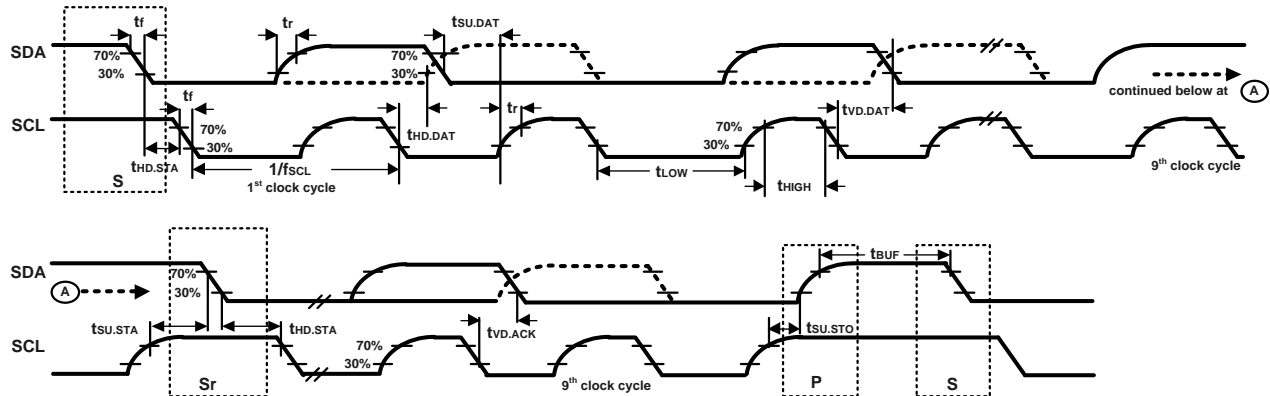


Figure 1. I<sup>2</sup>C Bus Timing Diagram

### 3.5 SPI TIMING CHARACTERIZATION

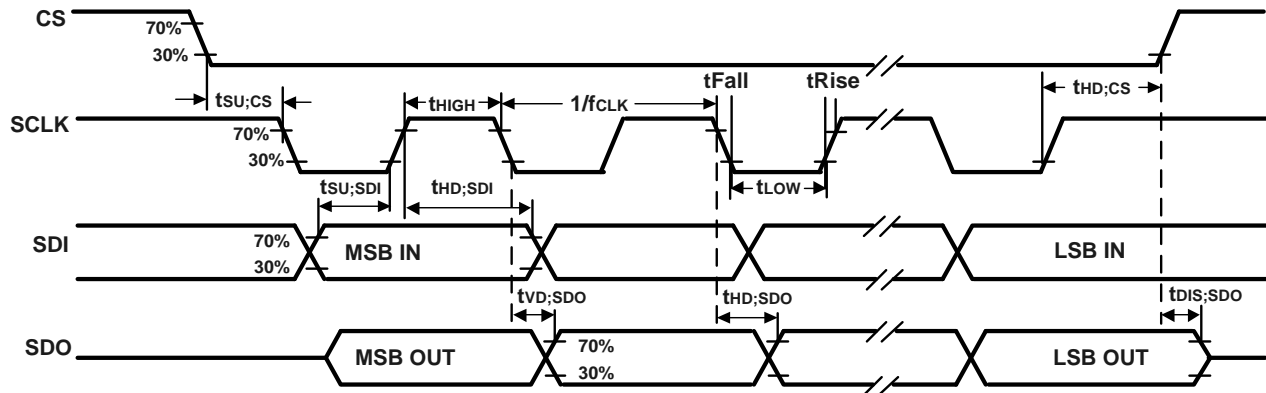
Typical Operating Circuit of section 4.2, VDD = 1.8V, VDDIO = 1.8V, T<sub>A</sub> = 25°C, unless otherwise noted.

| PARAMETERS                                     | CONDITIONS                | MIN | TYP | MAX | UNITS | NOTES |
|--|---------------------------|-----|-----|-----|-------|-------|
| <b>SPI TIMING</b>                              |                           |     |     |     |       |       |
| f <sub>SPC</sub> , SPC Clock Frequency         |                           |     |     | 8   | MHz   | 1     |
| t <sub>LOW</sub> , SPC Low Period              |                           | 56  |     |     | ns    | 1     |
| t <sub>HIGH</sub> , SPC High Period            |                           | 56  |     |     | ns    | 1     |
| t <sub>SU,CS</sub> , CS Setup Time             |                           | 2   |     |     | ns    | 1     |
| t <sub>HD,CS</sub> , CS Hold Time              |                           | 63  |     |     | ns    | 1     |
| t <sub>SU,SDI</sub> , SDI Setup Time           |                           | 3   |     |     | ns    | 1     |
| t <sub>HD,SDI</sub> , SDI Hold Time            |                           | 7   |     |     | ns    | 1     |
| t <sub>VD,SDO</sub> , SDO Valid Time           | C <sub>load</sub> = 20 pF |     |     | 40  | ns    | 1     |
| t <sub>HD,SDO</sub> , SDO Hold Time            | C <sub>load</sub> = 20 pF | 6   |     |     | ns    | 1     |
| t <sub>DIS,SDO</sub> , SDO Output Disable Time |                           |     |     | 20  | ns    | 1     |
| t <sub>Fall</sub> , SCLK Fall Time             |                           |     |     | 6.5 | ns    | 2     |
| t <sub>Rise</sub> , SCLK Rise Time             |                           |     |     | 6.5 | ns    | 2     |

**Table 7. SPI Timing Characteristics (8 MHz Operation)**

**Notes:**

1. Based on characterization of 5 parts over temperature and voltage as mounted on evaluation board or in sockets.
2. Based on other parameter values.



**Figure 2. SPI Bus Timing Diagram**

### 3.6 ABSOLUTE MAXIMUM RATINGS

Stress above those listed as “Absolute Maximum Ratings” may cause permanent damage to the device. These are stress ratings only and functional operation of the device at these conditions is not implied. Exposure to the absolute maximum ratings conditions for extended periods may affect device reliability.

| PARAMETER                                    | RATING   |
|--|--|
| Supply Voltage, VDD                          | -0.5V to 4V  |
| Supply Voltage, VDDIO                        | -0.5V to 4V  |
| REGOUT                                       | -0.5V to 2V  |
| Input Voltage Level (SA0, FSYNC, SCL, SDA)   | -0.5V to VDDIO + 0.5V  |
| Acceleration (Any Axis, unpowered)           | 10,000g for 0.2 ms   |
| Operating temperature range                  | -40°C to 105°C   |
| Storage Temperature Range                    | -40°C to 125°C   |
| Electrostatic Discharge (ESD) Protection     | 2 kV (HBM);<br>750V (CDM corner pins)<br>500V (CDM all other pins) |
| Latch-up                                     | JEDEC Class II (2), 125°C<br>±100 mA                               |
| Ultrasonic excitation (cleaning/welding/...) | Not allowed  |

**Table 8. Absolute Maximum Ratings**

### 3.7 THERMAL INFORMATION

| THERMAL METRIC | DESCRIPTION                                | VALUE      |
|----------------|--|------------|
| $\theta_{JA}$  | Junction-to-ambient thermal resistance     | 84.58 °C/W |
| $\psi_{JT}$    | Junction-to-top characterization parameter | 7 °C/W     |

**Table 9. Thermal Information**



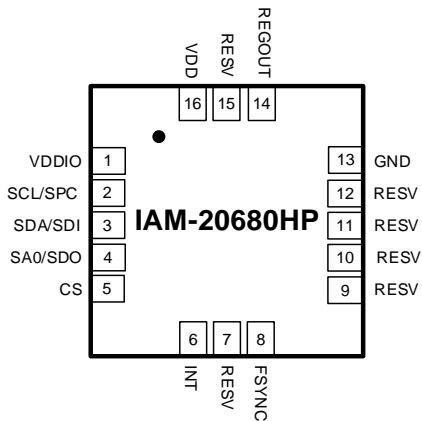
## 4 APPLICATIONS INFORMATION

### 4.1 PIN OUT DIAGRAM AND SIGNAL DESCRIPTION

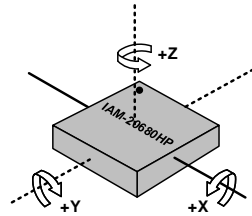
| PIN NUMBER | PIN NAME | PIN DESCRIPTION  |
|------------|----------|--|
| 1          | VDDIO    | Digital I/O supply voltage   |
| 2          | SCL/SPC  | I <sup>2</sup> C serial clock (SCL); SPI serial clock (SPC)            |
| 3          | SDA/SDI  | I <sup>2</sup> C serial data (SDA); SPI serial data input (SDI)        |
| 4          | SA0/SDO  | I <sup>2</sup> C slave address LSB (SA0); SPI serial data output (SDO) |
| 5          | CS       | Chip select (0 = SPI mode; 1 = I <sup>2</sup> C mode)                  |
| 6          | INT      | Interrupt digital output (totem pole or open-drain)                    |
| 7          | RESV     | Reserved. Do not connect   |
| 8          | FSYNC    | Synchronization digital input (optional). Connect to GND if unused     |
| 9          | RESV     | Reserved. Connect to GND   |
| 10         | RESV     | Reserved. Connect to GND   |
| 11         | RESV     | Reserved. Connect to GND   |
| 12         | RESV     | Reserved. Connect to GND   |
| 13         | GND      | Connect to GND   |
| 14         | REGOUT   | Regulator filter capacitor connection                                  |
| 15         | RESV     | Reserved. Connect to GND   |
| 16         | VDD      | Power Supply   |

**Table 10. Signal Descriptions**

**Note:** VDD, VDDIO, SCL/SPC and CS pins must be correctly managed at power-up to guarantee proper IAM-20680HP start-up. Please refer to sections 4.18.1 and 4.18.2 for detailed power-up instructions.



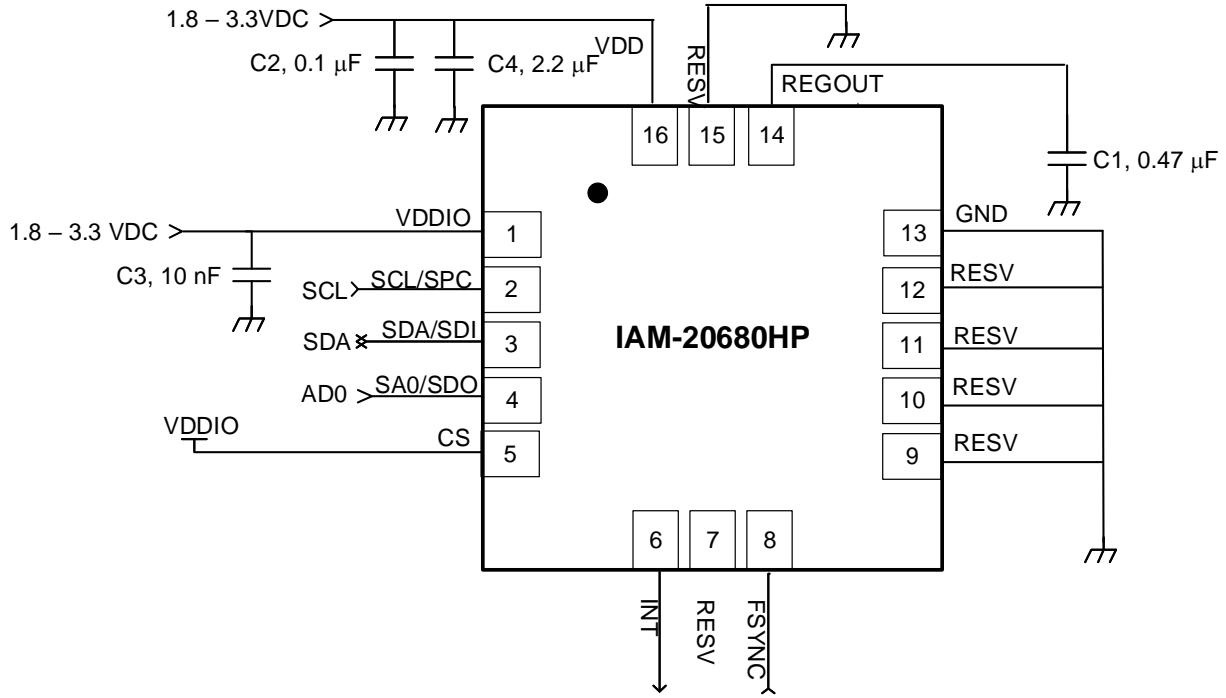
**LGA Package (Top View)**  
 16-pin, 3mm x 3mm x 0.75mm  
 Typical Footprint and thickness



**Orientation of Axes of Sensitivity and Polarity of Rotation**

**Figure 3. Pin out Diagram for IAM-20680HP 3.0x3.0x0.75 mm<sup>3</sup> LGA**

**4.2 TYPICAL OPERATING CIRCUIT**



**Figure 4. IAM-20680HP LGA Application Schematic**

**Note:** I<sup>2</sup>C lines are open drain and pullup resistors (e.g. 10 kΩ) are required.

**4.3 BILL OF MATERIALS FOR EXTERNAL COMPONENTS**

| COMPONENT              | LABEL | SPECIFICATION     | QUANTITY |
|------------------------|-------|-------------------|----------|
| REGOUT Capacitor       | C1    | X7R, 0.47 μF ±10% | 1        |
| VDD Bypass Capacitors  | C2    | X7R, 0.1 μF ±10%  | 1        |
|                        | C4    | X7R, 2.2 μF ±10%  | 1        |
| VDDIO Bypass Capacitor | C3    | X7R, 10 nF ±10%   | 1        |

**Table 11. Bill of Materials**

**4.4 BLOCK DIAGRAM**

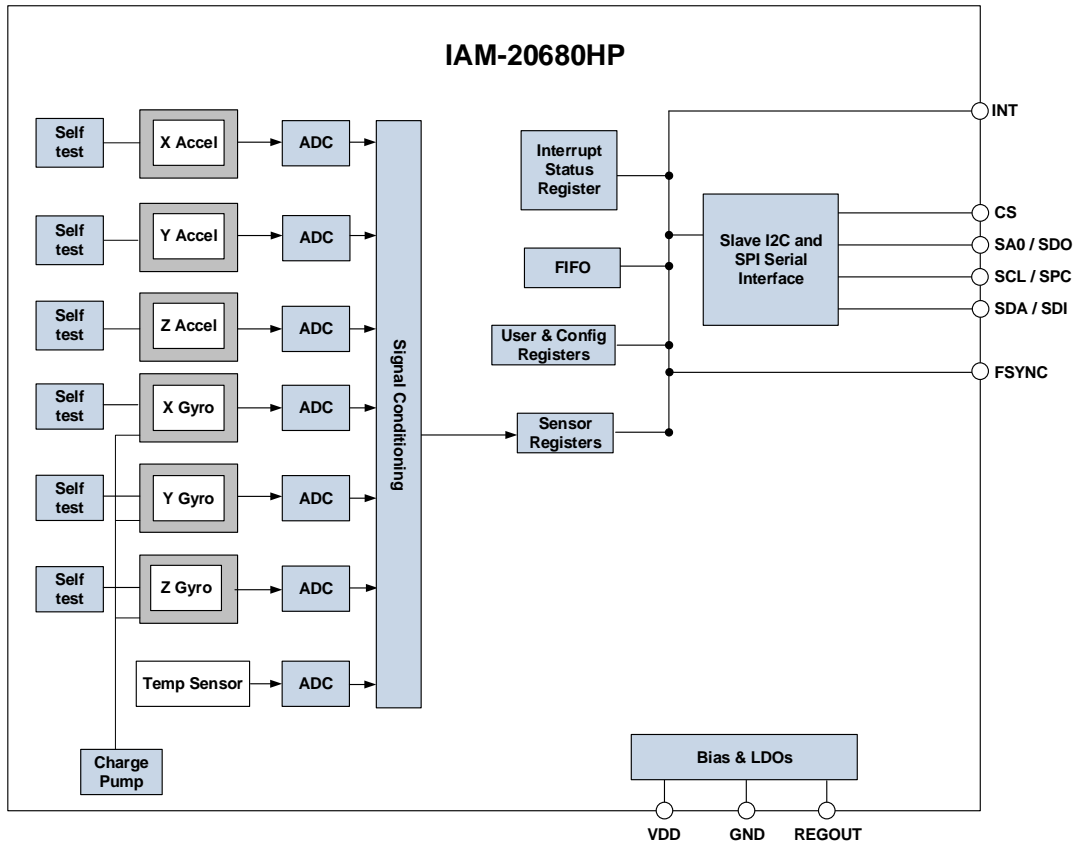


Figure 5. IAM-20680HP Block Diagram

**4.5 OVERVIEW**

The IAM-20680HP is comprised of the following key blocks and functions:

- Three-axis MEMS rate gyroscope sensor with 16-bit ADCs and signal conditioning
- Three-axis MEMS accelerometer sensor with 16-bit ADCs and signal conditioning
- Primary I<sup>2</sup>C and SPI serial communications interfaces
- Self-Test
- Clocking
- Sensor Data Registers
- FIFO
- Interrupts
- Digital-Output Temperature Sensor
- Bias and LDOs
- Charge Pump
- Standard Power Modes

#### 4.6 THREE-AXIS MEMS GYROSCOPE WITH 16-BIT ADCS AND SIGNAL CONDITIONING

The IAM-20680HP consists of three independent vibratory MEMS rate gyroscopes, which detect rotation about the X-, Y-, and Z-Axes. When the gyros are rotated about any of the sense axes, the Coriolis Effect causes a vibration that is detected by a capacitive pickoff. The resulting signal is amplified, demodulated, and filtered to produce a voltage that is proportional to the angular rate. This voltage is digitized using individual on-chip 16-bit Analog-to-Digital Converters (ADCs) to sample each axis. The full-scale range of the gyro sensors may be digitally programmed to  $\pm 250$ ,  $\pm 500$ ,  $\pm 1000$ , or  $\pm 2000$  degrees per second (dps). The ADC sample rate is programmable from 8,000 samples per second, down to 3.9 samples per second, and user-selectable low-pass filters enable a wide range of cut-off frequencies.

#### 4.7 THREE-AXIS MEMS ACCELEROMETER WITH 16-BIT ADCS AND SIGNAL CONDITIONING

The IAM-20680HP's 3-Axis accelerometer uses separate proof masses for each axis. Acceleration along a particular axis induces displacement on the corresponding proof mass, and capacitive sensors detect the displacement differentially. The IAM-20680HP's architecture reduces the accelerometers' susceptibility to fabrication variations as well as to thermal drift. When the device is placed on a flat surface, it will measure  $0g$  on the X- and Y-axes and  $+1g$  on the Z-axis. The accelerometers' scale factor is calibrated at the factory and is nominally independent of supply voltage. Each sensor has a dedicated sigma-delta ADC for providing digital outputs. The full-scale range of the digital output can be adjusted to  $\pm 2g$ ,  $\pm 4g$ ,  $\pm 8g$ , or  $\pm 16g$ .

#### 4.8 I<sup>2</sup>C AND SPI SERIAL COMMUNICATIONS INTERFACES

The IAM-20680HP communicates to a system processor using either a SPI or an I<sup>2</sup>C serial interface. The IAM-20680HP always acts as a slave when communicating to the system processor. The LSB of the I<sup>2</sup>C slave address is set by pin 4 (SA0).

##### 4.8.1 IAM-20680HP Solution Using I<sup>2</sup>C Interface

In Figure 6, the system processor is an I<sup>2</sup>C master to the IAM-20680HP.

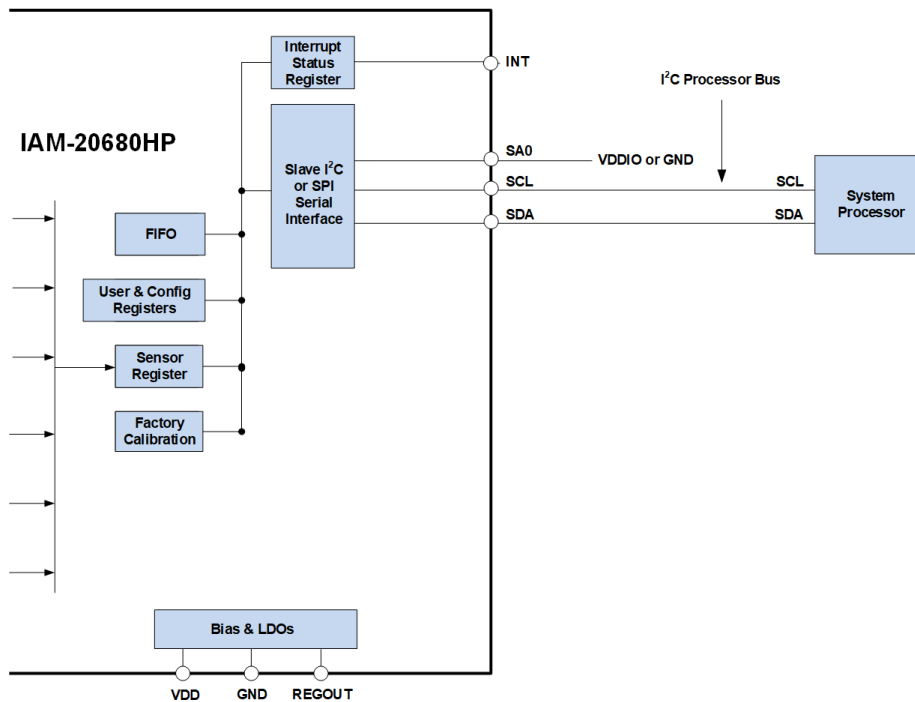
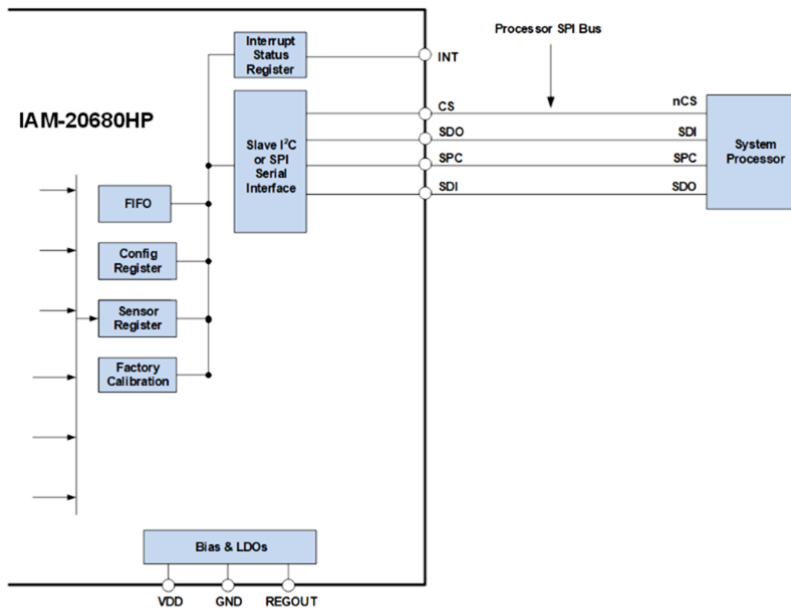


Figure 6. IAM-20680HP Solution Using I<sup>2</sup>C Interface

**4.8.2 IAM-20680HP Solution Using SPI Interface**

In Figure 7, the system processor is an SPI master to the IAM-20680HP. Pins 2, 3, 4, and 5 are used to support the SPC, SDI, SDO, and CS signals for SPI communications.



**Figure 7. IAM-20680HP Solution Using SPI Interface**

**4.9 SELF-TEST**

Self-test allows for the testing of the mechanical and electrical portions of the sensors. The self-test for each measurement axis can be activated by means of the gyroscope and accelerometer self-test registers (registers 27 and 28).

When the self-test is activated, the electronics cause the sensors to be actuated and produce an output signal. The output signal is used to observe the self-test response.

The self-test response is defined as follows:

$$\text{SELF-TEST RESPONSE} = \text{SENSOR OUTPUT WITH SELF-TEST ENABLED} - \text{SENSOR OUTPUT WITH SELF-TEST DISABLED}$$

When the value of the self-test response is within the specified min/max limits of the product specification, the part has passed self-test. When the self-test response exceeds the min/max values, the part is deemed to have failed self-test.

**4.10 CLOCKING**

The IAM-20680HP has a flexible clocking scheme, allowing a variety of internal clock sources to be used for the internal synchronous circuitry. This synchronous circuitry includes the signal conditioning and ADCs, and various control circuits and registers. An on-chip PLL provides flexibility in the allowable inputs for generating this clock.

Allowable internal sources for generating the internal clock are:

- a) An internal relaxation oscillator
- b) Auto-select between internal relaxation oscillator and gyroscope MEMS oscillator to use the best available source

The only setting supporting specified performance in all modes is option b). It is recommended that option b) be used.

**4.11 SENSOR DATA REGISTERS**

The sensor data registers contain the latest gyroscope, accelerometer, and temperature measurement data. They are read-only registers and are accessed via the serial interface. Data from these registers may be read anytime.

## 4.12 FIFO

The IAM-20680HP contains a 4096-byte FIFO register that is accessible via the Serial Interface. The FIFO configuration register determines which data are written into the FIFO. Possible choices include gyro data, accelerometer data, temperature readings, and FSYNC input. A FIFO counter keeps track of how many bytes of valid data are contained in the FIFO. The FIFO register supports burst reads. The interrupt function may be used to determine when new data are available.

## 4.13 INTERRUPTS

Interrupt functionality is configured via the Interrupt Configuration register. Items that are configurable include the INT pin configuration, the interrupt latching and clearing method, and triggers for the interrupt. Items that can trigger an interrupt are new data are available to be read (from the FIFO and Data registers) or FIFO overflow. The interrupt status can be read from the Interrupt Status register.

## 4.14 DIGITAL-OUTPUT TEMPERATURE SENSOR

An on-chip temperature sensor and ADC are used to measure the IAM-20680HP die temperature. The readings from the ADC can be read from the FIFO or the Sensor Data registers.

## 4.15 BIAS AND LDOS

The bias and LDO section generates the internal supply and the reference voltages and currents required by the IAM-20680HP. Its two inputs are an unregulated VDD and a VDDIO logic reference supply voltage. The LDO output is bypassed by a capacitor at REGOUT. For further details on the capacitor, please refer to the Bill of Materials for External Components.

## 4.16 CHARGE PUMP

An on-chip charge pump generates the high voltage required for the MEMS oscillator.

## 4.17 STANDARD POWER MODES

Table 12 lists the user-accessible power modes for IAM-20680HP.

| MODE | NAME                         | GYRO     | ACCEL |
|------|------------------------------|----------|-------|
| 1    | Sleep Mode                   | Off      | Off   |
| 2    | Standby Mode                 | Drive On | Off   |
| 4    | Accelerometer Low-Noise Mode | Off      | On    |
| 6    | Gyroscope Low-Noise Mode     | On       | Off   |
| 7    | 6-Axis Low-Noise Mode        | On       | On    |

**Table 12. Standard Power Modes for IAM-20680HP**

### Notes:

1. Power consumption for individual modes can be found in section 3.3.1.

## 4.18 SENSOR INITIALIZATION AND BASIC CONFIGURATION

The basic configuration of the IAM-20680HP includes the following steps:

- Power-up sequence
- Sensor initialization and clock source selection
- Output data rate (i.e. sampling frequency) selection
- Full scale range selection
- Filter frequency selection
- Power mode selection

### 4.18.1 Power-up sequence

When applying VDD, VDDIO must be kept low until VDD is stable at its final voltage. Should this not be possible, power-up must be performed with both CS and SCL/SPC low. If starting in I<sup>2</sup>C mode (CS = logic high), power-up must be performed with SCL/SPC low. Power-up with SCL/SPC high is not a supported case and must be avoided.

#### 4.18.2 Sensor Initialization and Clock Source Selection

When both VDD and VDDIO are stable at their final voltage a software reset is required to initialize the sensor and let the IAM-20680HP select the best clock source. Software reset must be performed by setting the register PWR\_MGMT\_1 (address 0x6B) to 0x81 (see section 9.27), prior to initialization.

#### 4.18.3 Output Data Rate Selection

To set the output data rate (ODR) to the desired frequency, select the sample rate divider by setting the register SMPLRT\_DIV (address 0x19) to the desired value (see section 9.9). For instance, to set the output data rate to 100 Hz, write 0x09 into SMPLRT\_DIV.

#### 4.18.4 Full-Scale Range Selection

To set the full-scale range (FSR) of the accelerometer, set the register ACCEL\_CONFIG (address 0x1C) to the desired value (see section 9.12). For instance, to set the FSR of the accelerometer to 2g, write 0x00 into ACCEL\_CONFIG.

To set the FSR of the gyroscope, set the register GYRO\_CONFIG (address 0x1B) to the desired value (see section 9.11). For instance, to set the FSR of the gyroscope to 250 dps, write 0x00 into GYRO\_CONFIG.

#### 4.18.5 Filter Selection

To set the corner frequency of the digital low-pass filter (DLPF) of the accelerometer, set the register ACCEL\_CONFIG2 (address 0x1D) to the desired value (see section 9.13). For instance, to set the corner frequency of the DLPF of the accelerometer to 10.2 Hz, write 0x05 into ACCEL\_CONFIG2.

To set the corner frequency of the DLPF of the gyroscope, set the register CONFIG (address 0x1A) to the desired value (see section 9.10). For instance, to set the corner frequency of the DLPF of the gyroscope to 10 Hz, write 0x05 into CONFIG.

## 5 PROGRAMMABLE INTERRUPTS

The IAM-20680HP has a programmable interrupt system which can generate an interrupt signal on the INT pin. Status flags indicate the source of an interrupt. Interrupt sources may be enabled and disabled individually.

| INTERRUPT NAME   | MODULE           |
|------------------|------------------|
| Motion Detection | Motion           |
| FIFO Overflow    | FIFO             |
| Data Ready       | Sensor Registers |

**Table 13. Table of Interrupt Sources**

### 5.1 WAKE-ON-MOTION INTERRUPT

The IAM-20680 provides motion detection capability. A qualifying motion sample is one where the high passed sample from any axis has an absolute value exceeding a user-programmable threshold. The following steps explain how to configure the Wake-on-Motion Interrupt.

**Step 1: Ensure that Accelerometer is running**

- In PWR\_MGMT\_1 register (0x6B) set CYCLE = 0, SLEEP = 0, and GYRO\_STANDBY = 0
- In PWR\_MGMT\_2 register (0x6C) set STBY\_XA = STBY\_YA = STBY\_ZA = 0, and STBY\_XG = STBY\_YG = STBY\_ZG = 1

**Step 2: Accelerometer Configuration**

- In ACCEL\_CONFIG2 register (0x1D) set ACCEL\_FCHOICE\_B = 0 and A\_DLPF\_CFG[2:0] = 7 (b111)

**Step 3: Enable Motion Interrupt**

- In INT\_ENABLE register (0x38) set WOM\_INT\_EN[2:0] = b111 to enable motion interrupt

**Step 4: Set Motion Threshold**

- Set the motion threshold in ACCEL\_WOM\_THR register (0x1F)

**Step 5: Enable Accelerometer Hardware Intelligence**

- In ACCEL\_INTEL\_CTRL register (0x69) set ACCEL\_INTEL\_EN = 1 to enable the Wake-on-Motion detection logic
- In ACCEL\_INTEL\_CTRL register (0x69) set ACCEL\_INTEL\_MODE = 1 to make the detection insensitive to the acceleration DC-component
- In ACCEL\_INTEL\_CTRL register (0x69) ensure that bit 0 is set to 0.

**Step 6: Set Frequency of Wake-Up**

- In SMPLRT\_DIV register (0x19) set SMPLRT\_DIV[7:0] = 3.9Hz – 500Hz

**Step 7: Enable Cycle Mode (Accelerometer Low-Power Mode)**

- In LP\_MOD\_CFG register (0x1E) set LP\_MOD\_CTRL [3:0] = b1001
- In PWR\_MGMT\_1 register (0x6B) set ACCEL\_CYCLE = 1



## 6 DIGITAL INTERFACE

### 6.1 I<sup>2</sup>C AND SPI SERIAL INTERFACES

The internal registers and memory of the IAM-20680HP can be accessed using either I<sup>2</sup>C at 400 kHz or SPI at 8 MHz. SPI operates in four-wire mode.

| PIN NUMBER | PIN NAME  | PIN DESCRIPTION  |
|------------|-----------|--|
| 1          | VDDIO     | Digital I/O supply voltage.  |
| 4          | SA0 / SDO | I <sup>2</sup> C Slave Address LSB (SA0); SPI serial data output (SDO) |
| 2          | SCL / SPC | I <sup>2</sup> C serial clock (SCL); SPI serial clock (SPC)            |
| 3          | SDA / SDI | I <sup>2</sup> C serial data (SDA); SPI serial data input (SDI)        |

**Table 14. Serial Interface**

**Note:** To prevent switching into I<sup>2</sup>C mode when using SPI, the I<sup>2</sup>C interface should be disabled by setting the *I2C\_IF\_DIS* configuration bit. Setting this bit should be performed immediately after waiting for the time specified by the “Start-Up Time for Register Read/Write” in section 3.3.2.

For further information regarding the *I2C\_IF\_DIS* bit, please refer to sections 8 and 9 of this document.

### 6.2 I<sup>2</sup>C INTERFACE

I<sup>2</sup>C is a two-wire interface comprised of the signals serial data (SDA) and serial clock (SCL). In general, the lines are open-drain and bi-directional. In a generalized I<sup>2</sup>C interface implementation, attached devices can be a master or a slave. The master device puts the slave address on the bus, and the slave device with the matching address acknowledges the master.

The IAM-20680HP always operates as a slave device when communicating to the system processor, which acts as the master. SDA and SCL lines typically need pull-up resistors to VDD. The maximum bus speed is 400 kHz.

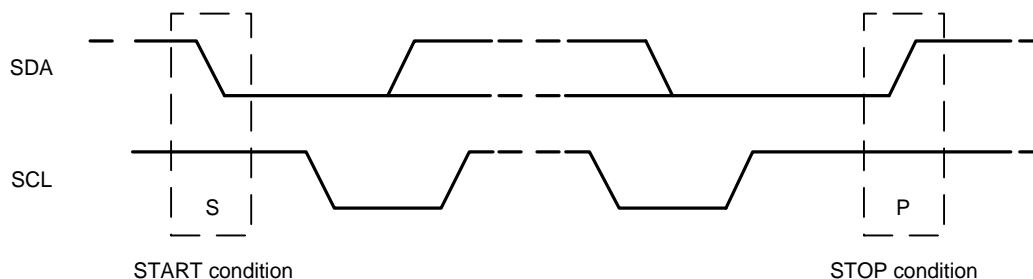
The slave address of the IAM-20680HP is b110100X which is 7 bits long. The LSB bit of the 7-bit address is determined by the logic level on pin SA0. This allows two IAM-20680HPs to be connected to the same I<sup>2</sup>C bus. When used in this configuration, the address of one of the devices should be b1101000 (pin SA0 is logic low) and the address of the other should be b1101001 (pin SA0 is logic high).

### 6.3 IC COMMUNICATIONS PROTOCOL

#### *START (S) and STOP (P) Conditions*

Communication on the I<sup>2</sup>C bus starts when the master puts the START condition (S) on the bus, which is defined as a HIGH-to-LOW transition of the SDA line while SCL line is HIGH (see figure below). The bus is considered busy until the master puts a STOP condition (P) on the bus, which is defined as a LOW to HIGH transition on the SDA line while SCL is HIGH (see Figure 8).

Additionally, the bus remains busy if a repeated START (Sr) is generated instead of a STOP condition.

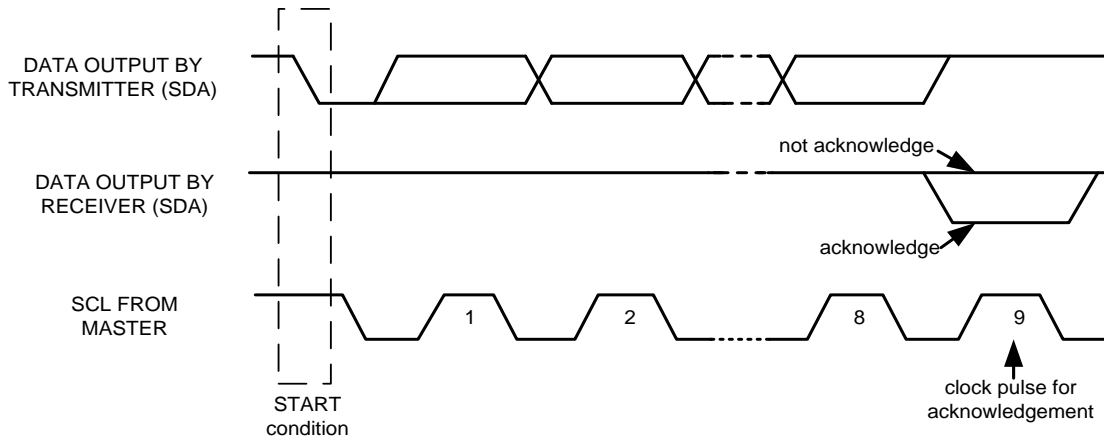


**Figure 8. START and STOP Conditions**

#### *Data Format / Acknowledge*

I<sup>2</sup>C data bytes are defined to be 8-bits long. There is no restriction to the number of bytes transmitted per data transfer. Each byte transferred must be followed by an acknowledge (ACK) signal. The clock for the acknowledge signal is generated by the master, while the receiver generates the actual acknowledge signal by pulling down SDA and holding it low during the HIGH portion of the acknowledge clock pulse.

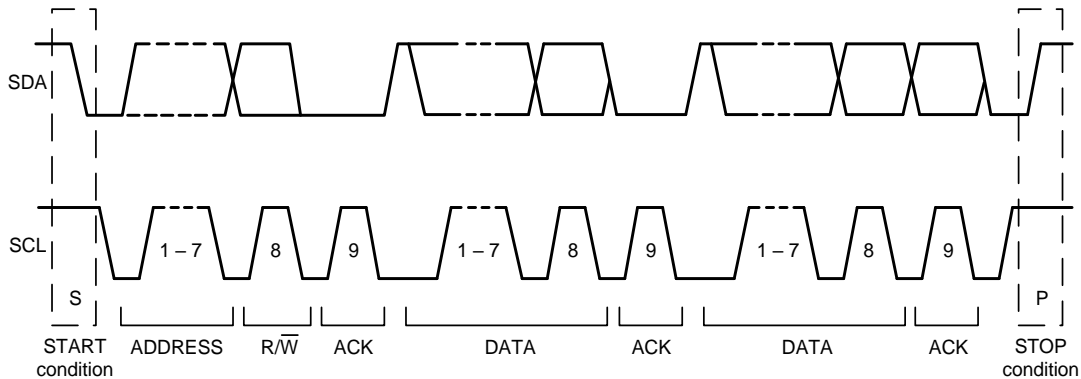
If a slave is busy and cannot transmit or receive another byte of data until some other task has been performed, it can hold SCL LOW, thus forcing the master into a wait state. Normal data transfer resumes when the slave is ready, and releases the clock line (refer to Figure 9).



**Figure 9. Acknowledge on the I²C Bus**

*Communications*

After beginning communications with the START condition (S), the master sends a 7-bit slave address followed by an 8<sup>th</sup> bit, the read/write bit. The read/write bit indicates whether the master is receiving data from or is writing to the slave device. Then, the master releases the SDA line and waits for the acknowledge signal (ACK) from the slave device. Each byte transferred must be followed by an acknowledge bit. To acknowledge, the slave device pulls the SDA line LOW and keeps it LOW for the high period of the SCL line. Data transmission is always terminated by the master with a STOP condition (P), thus freeing the communications line. However, the master can generate a repeated START condition (Sr), and address another slave without first generating a STOP condition (P). A LOW to HIGH transition on the SDA line while SCL is HIGH defines the stop condition. All SDA changes should take place when SCL is low, with the exception of start and stop conditions.



**Figure 10. Complete I²C Data Transfer**

To write the internal IAM-20680HP registers, the master transmits the start condition (S), followed by the I²C address and the write bit (0). At the 9<sup>th</sup> clock cycle (when the clock is high), the IAM-20680HP acknowledges the transfer. Then the master puts the register address (RA) on the bus. After the IAM-20680HP acknowledges the reception of the register address, the master puts the register data onto the bus. This is followed by the ACK signal, and data transfer may be concluded by the stop condition (P). To write multiple bytes after the last ACK signal, the master can continue outputting data rather than transmitting a stop signal. In this case, the IAM-20680HP automatically increments the register address and loads the data to the appropriate register. The following figures show single and two-byte write sequences.

*Single-Byte Write Sequence*

|        |   |      |     |    |     |      |     |   |
|--------|---|------|-----|----|-----|------|-----|---|
| Master | S | AD+W |     | RA |     | DATA |     | P |
| Slave  |   |      | ACK |    | ACK |      | ACK |   |

### Burst Write Sequence

|        |   |      |     |    |     |      |     |      |     |   |
|--------|---|------|-----|----|-----|------|-----|------|-----|---|
| Master | S | AD+W |     | RA |     | DATA |     | DATA |     | P |
| Slave  |   |      | ACK |    | ACK |      | ACK |      | ACK |   |

To read the internal IAM-20680HP registers, the master sends a start condition, followed by the I<sup>2</sup>C address and a write bit, and then the register address that is going to be read. Upon receiving the ACK signal from the IAM-20680HP, the master transmits a start signal followed by the slave address and read bit. As a result, the IAM-20680HP sends an ACK signal and the data. The communication ends with a not acknowledge (NACK) signal and a stop bit from master. The NACK condition is defined such that the SDA line remains high at the 9<sup>th</sup> clock cycle. The following figures show single and two-byte read sequences.

### Single-Byte Read Sequence

|        |   |      |     |    |     |   |      |     |      |      |   |
|--------|---|------|-----|----|-----|---|------|-----|------|------|---|
| Master | S | AD+W |     | RA |     | S | AD+R |     |      | NACK | P |
| Slave  |   |      | ACK |    | ACK |   |      | ACK | DATA |      |   |

### Burst Read Sequence

|        |   |      |     |    |     |   |      |     |      |     |      |      |   |
|--------|---|------|-----|----|-----|---|------|-----|------|-----|------|------|---|
| Master | S | AD+W |     | RA |     | S | AD+R |     |      | ACK |      | NACK | P |
| Slave  |   |      | ACK |    | ACK |   |      | ACK | DATA |     | DATA |      |   |

## 6.4 I<sup>2</sup>C TERMS

| SIGNAL | DESCRIPTION  |
|--------|--|
| S      | Start Condition: SDA goes from high to low while SCL is high                               |
| AD     | Slave I <sup>2</sup> C address   |
| W      | Write bit (0)  |
| R      | Read bit (1)   |
| ACK    | Acknowledge: SDA line is low while the SCL line is high at the 9 <sup>th</sup> clock cycle |
| NACK   | Not-Acknowledge: SDA line stays high at the 9 <sup>th</sup> clock cycle                    |
| RA     | IAM-20680HP internal register address  |
| DATA   | Transmit or received data  |
| P      | Stop condition: SDA going from low to high while SCL is high                               |

**Table 15. I<sup>2</sup>C Terms**

## 6.5 SPI INTERFACE

SPI is a 4-wire synchronous serial interface that uses two control lines and two data lines. The IAM-20680HP always operates as a Slave device during standard Master-Slave SPI operation.

With respect to the Master, the Serial Clock output (SPC), the Serial Data Output (SDO) and the Serial Data Input (SDI) are shared among the Slave devices. Each SPI slave device requires its own Chip Select (CS) line from the master.

CS goes low (active) at the start of transmission and goes back high (inactive) at the end. Only one CS line is active at a time, ensuring that only one slave is selected at any given time. The CS lines of the non-selected slave devices are held high, causing their SDO lines to remain in a high-impedance (high-z) state so that they do not interfere with any active devices.

### SPI Operational Features

1. Data are delivered MSB first and LSB last
2. Data are latched on the rising edge of SPC
3. Data should be transitioned on the falling edge of SPC
4. The maximum frequency of SPC is 8 MHz
5. SPI read and write operations are completed in 16 or more clock cycles (two or more bytes). The first byte contains the SPI Address, and the following byte(s) contain(s) the SPI data. The first bit of the first byte contains the Read/Write bit and indicates the Read (1) or Write (0) operation. The following 7 bits contain the Register Address. In cases of multiple-byte Read/Writes, data are two or more bytes:

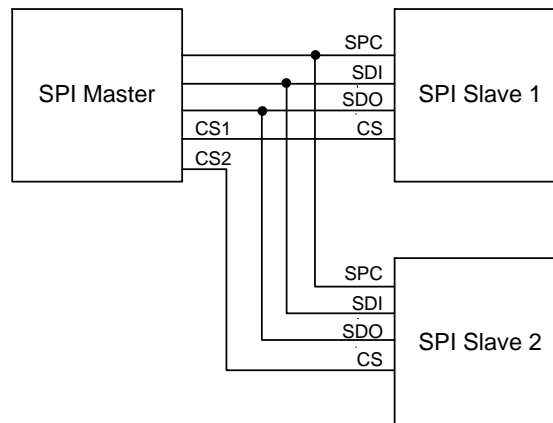
#### SPI Address format

|            |    |    |    |    |    |    |            |
|------------|----|----|----|----|----|----|------------|
| <b>MSB</b> |    |    |    |    |    |    | <b>LSB</b> |
| R/W        | A6 | A5 | A4 | A3 | A2 | A1 | A0         |

#### SPI Data format

|            |    |    |    |    |    |    |            |
|------------|----|----|----|----|----|----|------------|
| <b>MSB</b> |    |    |    |    |    |    | <b>LSB</b> |
| D7         | D6 | D5 | D4 | D3 | D2 | D1 | D0         |

6. Supports Single or Burst Read/Writes.



**Figure 11. Typical SPI Master/Slave Configuration**

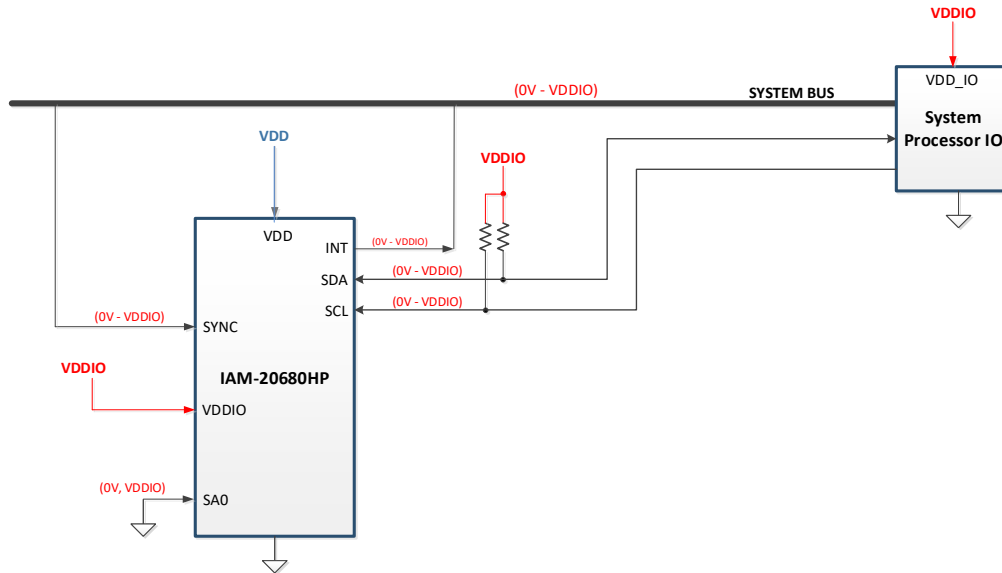
## 7 SERIAL INTERFACE CONSIDERATIONS

### 7.1 IAM-20680HP SUPPORTED INTERFACES

The IAM-20680HP supports I<sup>2</sup>C communications on its serial interface.

The IAM-20680HP's I/O logic levels are set to be VDDIO.

Figure 12 depicts a sample circuit of IAM-20680HP. It shows the relevant logic levels and voltage connections.



**Figure 12. I/O Levels and Connections**

## 8 REGISTER MAP

The following table lists the register map for the IAM-20680HP.

| Addr (Hex) | Addr (Dec.) | Register Name     | Serial I/F | Accessible (writable) in Sleep Mode | Bit7               | Bit6             | Bit5              | Bit4              | Bit3             | Bit2              | Bit1           | Bit0            |
|------------|-------------|-------------------|------------|-------------------------------------|--------------------|------------------|-------------------|-------------------|------------------|-------------------|----------------|-----------------|
| 00         | 00          | SELF_TEST_X_GYRO  | R/W        | N                                   | XG_ST_DATA[7:0]    |                  |                   |                   |                  |                   |                |                 |
| 01         | 01          | SELF_TEST_Y_GYRO  | R/W        | N                                   | YG_ST_DATA[7:0]    |                  |                   |                   |                  |                   |                |                 |
| 02         | 02          | SELF_TEST_Z_GYRO  | R/W        | N                                   | ZG_ST_DATA[7:0]    |                  |                   |                   |                  |                   |                |                 |
| 0D         | 13          | SELF_TEST_X_ACCEL | R/W        | N                                   | XA_ST_DATA[7:0]    |                  |                   |                   |                  |                   |                |                 |
| 0E         | 14          | SELF_TEST_Y_ACCEL | R/W        | N                                   | YA_ST_DATA[7:0]    |                  |                   |                   |                  |                   |                |                 |
| 0F         | 15          | SELF_TEST_Z_ACCEL | R/W        | N                                   | ZA_ST_DATA[7:0]    |                  |                   |                   |                  |                   |                |                 |
| 13         | 19          | XG_OFFS_USRH      | R/W        | N                                   | X_OFFS_USR [15:8]  |                  |                   |                   |                  |                   |                |                 |
| 14         | 20          | XG_OFFS_USRL      | R/W        | N                                   | X_OFFS_USR [7:0]   |                  |                   |                   |                  |                   |                |                 |
| 15         | 21          | YG_OFFS_USRH      | R/W        | N                                   | Y_OFFS_USR [15:8]  |                  |                   |                   |                  |                   |                |                 |
| 16         | 22          | YG_OFFS_USRL      | R/W        | N                                   | Y_OFFS_USR [7:0]   |                  |                   |                   |                  |                   |                |                 |
| 17         | 23          | ZG_OFFS_USRH      | R/W        | N                                   | Z_OFFS_USR [15:8]  |                  |                   |                   |                  |                   |                |                 |
| 18         | 24          | ZG_OFFS_USRL      | R/W        | N                                   | Z_OFFS_USR [7:0]   |                  |                   |                   |                  |                   |                |                 |
| 19         | 25          | SMP_LRT_DIV       | R/W        | N                                   | SMP_LRT_DIV[7:0]   |                  |                   |                   |                  |                   |                |                 |
| 1A         | 26          | CONFIG            | R/W        | N                                   | -                  | FIFO_MODE        | EXT_SYNC_SET[2:0] |                   |                  | DLPF_CFG[2:0]     |                |                 |
| 1B         | 27          | GYRO_CONFIG       | R/W        | N                                   | XG_ST              | YG_ST            | ZG_ST             | FS_SEL [1:0]      |                  | -                 | FCHOICE_B[1:0] |                 |
| 1C         | 28          | ACCEL_CONFIG      | R/W        | N                                   | XA_ST              | YA_ST            | ZA_ST             | ACCEL_FS_SEL[1:0] |                  | -                 |                |                 |
| 1D         | 29          | ACCEL_CONFIG 2    | R/W        | N                                   | FIFO_SIZE[1:0]     |                  | DEC2_CFG[1:0]     |                   | ACCEL_FCHOICE_B  | A_DLPF_CFG[2:0]   |                |                 |
| 1E         | 30          | LP_MODE_CFG       | R/W        | N                                   | GYRO_CYCLE         | G_AVGCFG[2:0]    |                   |                   | LP_MOD_CTRL[3:0] |                   |                |                 |
| 1F         | 31          | ACCEL_WOM_THR     | R/W        | N                                   | WOM_THR[7:0]       |                  |                   |                   |                  |                   |                |                 |
| 23         | 35          | FIFO_EN           | R/W        | N                                   | TEMP_FIFO_EN       | XG_FIFO_EN       | YG_FIFO_EN        | ZG_FIFO_EN        | ACCEL_FIFO_EN    | -                 | -              | -               |
| 36         | 54          | FSYNC_INT         | R/C        | N                                   | FSYNC_INT          | -                | -                 | -                 | -                | -                 | -              | -               |
| 37         | 55          | INT_PIN_CFG       | R/W        | Y                                   | INT_LEVEL          | INT_OPEN         | LATCH_INT_EN      | INT_RD_CLEAR      | FSYNC_INT_LEVEL  | FSYNC_INT_MODE_EN | -              | -               |
| 38         | 56          | INT_ENABLE        | R/W        | Y                                   | WOM_INT_EN[2:0]    |                  |                   | FIFO_OVERFLOW_EN  | -                | GDRIVE_INT_EN     | -              | DATA_RDY_INT_EN |
| 3A         | 58          | INT_STATUS        | R/C        | N                                   | WOM_INT[2:0]       |                  |                   | FIFO_OVERFLOW_INT | -                | GDRIVE_INT        | -              | DATA_RDY_INT    |
| 3B         | 59          | ACCEL_XOUT_H      | R          | N                                   | ACCEL_XOUT_H[15:8] |                  |                   |                   |                  |                   |                |                 |
| 3C         | 60          | ACCEL_XOUT_L      | R          | N                                   | ACCEL_XOUT_L[7:0]  |                  |                   |                   |                  |                   |                |                 |
| 3D         | 61          | ACCEL_YOUT_H      | R          | N                                   | ACCEL_YOUT_H[15:8] |                  |                   |                   |                  |                   |                |                 |
| 3E         | 62          | ACCEL_YOUT_L      | R          | N                                   | ACCEL_YOUT_L[7:0]  |                  |                   |                   |                  |                   |                |                 |
| 3F         | 63          | ACCEL_ZOUT_H      | R          | N                                   | ACCEL_ZOUT_H[15:8] |                  |                   |                   |                  |                   |                |                 |
| 40         | 64          | ACCEL_ZOUT_L      | R          | N                                   | ACCEL_ZOUT_L[7:0]  |                  |                   |                   |                  |                   |                |                 |
| 41         | 65          | TEMP_OUT_H        | R          | N                                   | TEMP_OUT[15:8]     |                  |                   |                   |                  |                   |                |                 |
| 42         | 66          | TEMP_OUT_L        | R          | N                                   | TEMP_OUT[7:0]      |                  |                   |                   |                  |                   |                |                 |
| 43         | 67          | GYRO_XOUT_H       | R          | N                                   | GYRO_XOUT[15:8]    |                  |                   |                   |                  |                   |                |                 |
| 44         | 68          | GYRO_XOUT_L       | R          | N                                   | GYRO_XOUT[7:0]     |                  |                   |                   |                  |                   |                |                 |
| 45         | 69          | GYRO_YOUT_H       | R          | N                                   | GYRO_YOUT[15:8]    |                  |                   |                   |                  |                   |                |                 |
| 46         | 70          | GYRO_YOUT_L       | R          | N                                   | GYRO_YOUT[7:0]     |                  |                   |                   |                  |                   |                |                 |
| 47         | 71          | GYRO_ZOUT_H       | R          | N                                   | GYRO_ZOUT[15:8]    |                  |                   |                   |                  |                   |                |                 |
| 48         | 72          | GYRO_ZOUT_L       | R          | N                                   | GYRO_ZOUT[7:0]     |                  |                   |                   |                  |                   |                |                 |
| 68         | 104         | SIGNAL_PATH_RESET | R/W        | N                                   | -                  | -                | -                 | -                 | -                | -                 | ACCEL_RST      | TEMP_RST        |
| 69         | 105         | ACCEL_INTEL_CTRL  | R/W        | N                                   | ACCEL_INTEL_EN     | ACCEL_INTEL_MODE | -                 |                   |                  |                   |                |                 |
| 6A         | 106         | USER_CTRL         | R/W        | N                                   | -                  | FIFO_EN          | -                 | I2C_IF_DIS        | -                | FIFO_RST          | -              | SIG_COND_RST    |

| Addr (Hex) | Addr (Dec.) | Register Name | Serial I/F | Accessible (writable) in Sleep Mode | Bit7            | Bit6  | Bit5        | Bit4             | Bit3     | Bit2        | Bit1    | Bit0    |  |
|------------|-------------|---------------|------------|-------------------------------------|-----------------|-------|-------------|------------------|----------|-------------|---------|---------|--|
| 6B         | 107         | PWR_MGMT_1    | R/W        | Y                                   | DEVICE_RESET    | SLEEP | ACCEL_CYCLE | GYRO_STANDBY     | TEMP_DIS | CLKSEL[2:0] |         |         |  |
| 6C         | 108         | PWR_MGMT_2    | R/W        | Y                                   | FIFO_LP_EN      | -     | STBY_XA     | STBY_YA          | STBY_ZA  | STBY_XG     | STBY_YG | STBY_ZG |  |
| 72         | 114         | FIFO_COUNTH   | R          | N                                   | -               |       |             | FIFO_COUNT[12:8] |          |             |         |         |  |
| 73         | 115         | FIFO_COUNTL   | R          | N                                   | FIFO_COUNT[7:0] |       |             |                  |          |             |         |         |  |
| 74         | 116         | FIFO_R_W      | R/W        | N                                   | FIFO_DATA[7:0]  |       |             |                  |          |             |         |         |  |
| 75         | 117         | WHO_AM_I      | R          | N                                   | WHOAMI[7:0]     |       |             |                  |          |             |         |         |  |
| 77         | 119         | XA_OFFSET_H   | R/W        | N                                   | XA_OFFS [14:7]  |       |             |                  |          |             |         |         |  |
| 78         | 120         | XA_OFFSET_L   | R/W        | N                                   | XA_OFFS [6:0]   |       |             |                  |          |             |         | -       |  |
| 7A         | 122         | YA_OFFSET_H   | R/W        | N                                   | YA_OFFS [14:7]  |       |             |                  |          |             |         |         |  |
| 7B         | 123         | YA_OFFSET_L   | R/W        | N                                   | YA_OFFS [6:0]   |       |             |                  |          |             |         | -       |  |
| 7D         | 125         | ZA_OFFSET_H   | R/W        | N                                   | ZA_OFFS [14:7]  |       |             |                  |          |             |         |         |  |
| 7E         | 126         | ZA_OFFSET_L   | R/W        | N                                   | ZA_OFFS [6:0]   |       |             |                  |          |             |         | -       |  |

**Table 16. Register Map**

**Note:** Register Names ending in *\_H* and *\_L* contain the high and low bytes, respectively, of an internal register value.

In the detailed register tables that follow, register names are in capital letters, while register values are in capital letters and italicized. For example, the *ACCEL\_XOUT\_H* register (Register 59) contains the 8 most significant bits, *ACCEL\_XOUT[15:8]*, of the 16-bit X-Axis accelerometer measurement, *ACCEL\_XOUT*.

The reset value is 0x00 for all registers other than the registers below:

- Self-test registers 0, 1, 2, 13, 14, 15 contain pre-programmed values
- Register 107, *PWR\_MGMT\_1*
- Register 117, *WHO\_AM\_I*: (default value is reported in section 9.31)
- Registers 119, 120, 122, 123, 125, 126 contain pre-programmed offset cancellation values

## 9 REGISTER DESCRIPTIONS

This section describes the function and contents of each register within the IAM-20680HP.

### 9.1 REGISTERS 0 TO 2 – GYROSCOPE SELF-TEST REGISTERS

**Register Name:** SELF\_TEST\_X\_GYRO, SELF\_TEST\_Y\_GYRO, SELF\_TEST\_Z\_GYRO

**Type:** READ/WRITE

**Register Address:** 00, 01, 02 (Decimal); 00, 01, 02 (Hex)

| REGISTER         | BIT   | NAME            | FUNCTION  |
|------------------|-------|-----------------|---|
| SELF_TEST_X_GYRO | [7:0] | XG_ST_DATA[7:0] | The value in this register indicates the self-test output generated during manufacturing tests. This value is to be used to check against subsequent self-test outputs performed by the end user. |
| SELF_TEST_Y_GYRO | [7:0] | YG_ST_DATA[7:0] | The value in this register indicates the self-test output generated during manufacturing tests. This value is to be used to check against subsequent self-test outputs performed by the end user. |
| SELF_TEST_Z_GYRO | [7:0] | ZG_ST_DATA[7:0] | The value in this register indicates the self-test output generated during manufacturing tests. This value is to be used to check against subsequent self-test outputs performed by the end user. |

The equation to convert self-test codes in OTP to factory self-test measurement is:

$$ST\_OTP = (2620 / 2^{FS}) * 1.01^{(ST\_code-1)} \text{ (lsb)}$$

where ST\_OTP is the value that is stored in OTP of the device, FS is the Full Scale value, and ST\_code is based on the Self-Test value (ST\_FAC) determined in InvenSense's factory final test and calculated based on the following equation:

$$ST\_code = round\left(\frac{\log(ST\_FAC / (2620 / 2^{FS}))}{\log(1.01)}\right) + 1$$

### 9.2 REGISTERS 13 TO 15 – ACCELEROMETER SELF-TEST REGISTERS

**Register Name:** SELF\_TEST\_X\_ACCEL, SELF\_TEST\_Y\_ACCEL, SELF\_TEST\_Z\_ACCEL

**Type:** READ/WRITE

**Register Address:** 13, 14, 15 (Decimal); 0D, 0E, 0F (Hex)

| REGISTER          | BITS  | NAME            | FUNCTION  |
|-------------------|-------|-----------------|---|
| SELF_TEST_X_ACCEL | [7:0] | XA_ST_DATA[7:0] | The value in this register indicates the self-test output generated during manufacturing tests. This value is to be used to check against subsequent self-test outputs performed by the end user. |
| SELF_TEST_Y_ACCEL | [7:0] | YA_ST_DATA[7:0] | The value in this register indicates the self-test output generated during manufacturing tests. This value is to be used to check against subsequent self-test outputs performed by the end user. |
| SELF_TEST_Z_ACCEL | [7:0] | ZA_ST_DATA[7:0] | The value in this register indicates the self-test output generated during manufacturing tests. This value is to be used to check against subsequent self-test outputs performed by the end user. |

The equation to convert self-test codes in OTP to factory self-test measurement is:

$$ST\_OTP = (2620 / 2^{FS}) * 1.01^{(ST\_code-1)} \text{ (lsb)}$$

where ST\_OTP is the value that is stored in OTP of the device, FS is the Full Scale value, and ST\_code is based on the Self-Test value (ST\_FAC) determined in InvenSense's factory final test and calculated based on the following equation:

$$ST\_code = round\left(\frac{\log(ST\_FAC / (2620 / 2^{FS}))}{\log(1.01)}\right) + 1$$

### 9.3 REGISTER 19 – GYRO OFFSET ADJUSTMENT REGISTER

**Register Name:** XG\_OFFS\_USRH



Register Type: READ/WRITE

Register Address: 19 (Decimal); 13 (Hex)

| BIT   | NAME             | FUNCTION  |
|-------|------------------|---|
| [7:0] | X_OFFS_USR[15:8] | Bits 15 to 8 of the 16-bit offset of X gyroscope (2's complement). This register is used to remove DC bias from the sensor output. The value in this register is added to the gyroscope sensor value before going into the sensor register. |

#### 9.4 REGISTER 20 – GYRO OFFSET ADJUSTMENT REGISTER

Register Name: XG\_OFFS\_USRL

Register Type: READ/WRITE

Register Address: 20 (Decimal); 14 (Hex)

| BIT   | NAME            | FUNCTION   |
|-------|-----------------|--|
| [7:0] | X_OFFS_USR[7:0] | Bits 7 to 0 of the 16-bit offset of X gyroscope (2's complement). This register is used to remove DC bias from the sensor output. The value in this register is added to the gyroscope sensor value before going into the sensor register. |

#### 9.5 REGISTER 21 – GYRO OFFSET ADJUSTMENT REGISTER

Register Name: YG\_OFFS\_USRH

Register Type: READ/WRITE

Register Address: 21 (Decimal); 15 (Hex)

| BIT   | NAME             | FUNCTION  |
|-------|------------------|---|
| [7:0] | Y_OFFS_USR[15:8] | Bits 15 to 8 of the 16-bit offset of Y gyroscope (2's complement). This register is used to remove DC bias from the sensor output. The value in this register is added to the gyroscope sensor value before going into the sensor register. |

#### 9.6 REGISTER 22 – GYRO OFFSET ADJUSTMENT REGISTER

Register Name: YG\_OFFS\_USRL

Register Type: READ/WRITE

Register Address: 22 (Decimal); 16 (Hex)

| BIT   | NAME            | FUNCTION   |
|-------|-----------------|--|
| [7:0] | Y_OFFS_USR[7:0] | Bits 7 to 0 of the 16-bit offset of Y gyroscope (2's complement). This register is used to remove DC bias from the sensor output. The value in this register is added to the gyroscope sensor value before going into the sensor register. |

### 9.7 REGISTER 23 – GYRO OFFSET ADJUSTMENT REGISTER

Register Name: ZG\_OFFS\_USRH

Register Type: READ/WRITE

Register Address: 23 (Decimal); 17 (Hex)

| BIT   | NAME             | FUNCTION  |
|-------|------------------|---|
| [7:0] | Z_OFFS_USR[15:8] | Bits 15 to 8 of the 16-bit offset of Z gyroscope (2's complement). This register is used to remove DC bias from the sensor output. The value in this register is added to the gyroscope sensor value before going into the sensor register. |

### 9.8 REGISTER 24 – GYRO OFFSET ADJUSTMENT REGISTER

Register Name: ZG\_OFFS\_USRL

Register Type: READ/WRITE

Register Address: 24 (Decimal); 18 (Hex)

| BIT   | NAME            | FUNCTION   |
|-------|-----------------|--|
| [7:0] | Z_OFFS_USR[7:0] | Bits 7 to 0 of the 16-bit offset of Z gyroscope (2's complement). This register is used to remove DC bias from the sensor output. The value in this register is added to the gyroscope sensor value before going into the sensor register. |

### 9.9 REGISTER 25 – SAMPLE RATE DIVIDER

Register Name: SMPLRT\_DIV

Register Type: READ/WRITE

Register Address: 25 (Decimal); 19 (Hex)

| BIT   | NAME            | FUNCTION   |
|-------|-----------------|--|
| [7:0] | SMPLRT_DIV[7:0] | Divides the internal sample rate (see register CONFIG) to generate the sample rate that controls sensor data output rate, FIFO sample rate.<br><b>Note:</b> This register is only effective when FCHOICE_B register bits are 2'b00, and (0 < DLPF_CFG < 7). This is the update rate of the sensor register:<br>$SAMPLE\_RATE = INTERNAL\_SAMPLE\_RATE / (1 + SMPLRT\_DIV)$<br>Where INTERNAL_SAMPLE_RATE = 1 kHz |

### 9.10 REGISTER 26 – CONFIGURATION

Register Name: CONFIG

Register Type: READ/WRITE

Register Address: 26 (Decimal); 1A (Hex)

| BIT          | NAME               | FUNCTION  |              |                    |   |                   |   |               |   |                |   |                |   |                |   |                 |   |                 |   |                 |
|--------------|--------------------|---|--------------|--------------------|---|-------------------|---|---------------|---|----------------|---|----------------|---|----------------|---|-----------------|---|-----------------|---|-----------------|
| [7]          | -                  | Always set to 0   |              |                    |   |                   |   |               |   |                |   |                |   |                |   |                 |   |                 |   |                 |
| [6]          | FIFO_MODE          | When set to '1', when the FIFO is full, additional writes will not be written to FIFO.<br>When set to '0', when the FIFO is full, additional writes will be written to the FIFO, replacing the oldest data.   |              |                    |   |                   |   |               |   |                |   |                |   |                |   |                 |   |                 |   |                 |
| [5:3]        | EXT_SYNC_SET[2:0]  | Enables the FSYNC pin data to be sampled. <table border="1" data-bbox="695 1560 1227 1803"> <thead> <tr> <th>EXT_SYNC_SET</th> <th>FSYNC bit location</th> </tr> </thead> <tbody> <tr> <td>0</td> <td>function disabled</td> </tr> <tr> <td>1</td> <td>TEMP_OUT_L[0]</td> </tr> <tr> <td>2</td> <td>GYRO_XOUT_L[0]</td> </tr> <tr> <td>3</td> <td>GYRO_YOUT_L[0]</td> </tr> <tr> <td>4</td> <td>GYRO_ZOUT_L[0]</td> </tr> <tr> <td>5</td> <td>ACCEL_XOUT_L[0]</td> </tr> <tr> <td>6</td> <td>ACCEL_YOUT_L[0]</td> </tr> <tr> <td>7</td> <td>ACCEL_ZOUT_L[0]</td> </tr> </tbody> </table> FSYNC will be latched to capture short strobes. This will be done such that if FSYNC toggles, the latched value toggles, but won't toggle again until the new latched value is captured by the sample rate strobe. | EXT_SYNC_SET | FSYNC bit location | 0 | function disabled | 1 | TEMP_OUT_L[0] | 2 | GYRO_XOUT_L[0] | 3 | GYRO_YOUT_L[0] | 4 | GYRO_ZOUT_L[0] | 5 | ACCEL_XOUT_L[0] | 6 | ACCEL_YOUT_L[0] | 7 | ACCEL_ZOUT_L[0] |
| EXT_SYNC_SET | FSYNC bit location |   |              |                    |   |                   |   |               |   |                |   |                |   |                |   |                 |   |                 |   |                 |
| 0            | function disabled  |   |              |                    |   |                   |   |               |   |                |   |                |   |                |   |                 |   |                 |   |                 |
| 1            | TEMP_OUT_L[0]      |   |              |                    |   |                   |   |               |   |                |   |                |   |                |   |                 |   |                 |   |                 |
| 2            | GYRO_XOUT_L[0]     |   |              |                    |   |                   |   |               |   |                |   |                |   |                |   |                 |   |                 |   |                 |
| 3            | GYRO_YOUT_L[0]     |   |              |                    |   |                   |   |               |   |                |   |                |   |                |   |                 |   |                 |   |                 |
| 4            | GYRO_ZOUT_L[0]     |   |              |                    |   |                   |   |               |   |                |   |                |   |                |   |                 |   |                 |   |                 |
| 5            | ACCEL_XOUT_L[0]    |   |              |                    |   |                   |   |               |   |                |   |                |   |                |   |                 |   |                 |   |                 |
| 6            | ACCEL_YOUT_L[0]    |   |              |                    |   |                   |   |               |   |                |   |                |   |                |   |                 |   |                 |   |                 |
| 7            | ACCEL_ZOUT_L[0]    |   |              |                    |   |                   |   |               |   |                |   |                |   |                |   |                 |   |                 |   |                 |
| [2:0]        | DLPF_CFG[2:0]      | For the DLPF to be used, FCHOICE_B[1:0] is 2'b00.<br>See Table 17.  |              |                    |   |                   |   |               |   |                |   |                |   |                |   |                 |   |                 |   |                 |

The DLPF is configured by *DLPF\_CFG*, when *FCHOICE\_B* [1:0] = 2b'00. The gyroscope and temperature sensor are filtered according to the value of *DLPF\_CFG* and *FCHOICE\_B* as shown in Table 17.

| FCHOICE_B |     | DLPF_CFG | Gyroscope    |               |            | Temperature Sensor |
|-----------|-----|----------|--------------|---------------|------------|--------------------|
| <1>       | <0> |          | 3-dB BW (Hz) | Noise BW (Hz) | Rate (kHz) | 3-dB BW (Hz)       |
| X         | 1   | X        | 8173         | 8595.1        | 32         | 4000               |
| 1         | 0   | X        | 3281         | 3451.0        | 32         | 4000               |
| 0         | 0   | 0        | 250          | 306.6         | 8          | 4000               |
| 0         | 0   | 1        | 176          | 177.0         | 1          | 188                |
| 0         | 0   | 2        | 92           | 108.6         | 1          | 98                 |
| 0         | 0   | 3        | 41           | 59.0          | 1          | 42                 |
| 0         | 0   | 4        | 20           | 30.5          | 1          | 20                 |
| 0         | 0   | 5        | 10           | 15.6          | 1          | 10                 |
| 0         | 0   | 6        | 5            | 8.0           | 1          | 5                  |
| 0         | 0   | 7        | 3281         | 3451.0        | 8          | 4000               |

**Table 17. Configuration**

## 9.11 REGISTER 27 – GYROSCOPE CONFIGURATION

**Register Name:** GYRO\_CONFIG

**Register Type:** READ/WRITE

**Register Address:** 27 (Decimal); 1B (Hex)

| BIT   | NAME           | FUNCTION  |
|-------|----------------|---|
| [7]   | XG_ST          | X Gyro self-test  |
| [6]   | YG_ST          | Y Gyro self-test  |
| [5]   | ZG_ST          | Z Gyro self-test  |
| [4:3] | FS_SEL[1:0]    | Gyro Full Scale Select:<br>00 = ±250 dps<br>01 = ±500 dps<br>10 = ±1000 dps<br>11 = ±2000 dps |
| [2]   | -              | Reserved  |
| [1:0] | FCHOICE_B[1:0] | Used to bypass DLPF as shown in Table 17 above.   |

## 9.12 REGISTER 28 – ACCELEROMETER CONFIGURATION

**Register Name:** ACCEL\_CONFIG

**Register Type:** READ/WRITE

**Register Address:** 28 (Decimal); 1C (Hex)

| BIT   | NAME              | FUNCTION  |
|-------|-------------------|---|
| [7]   | XA_ST             | X Accel self-test   |
| [6]   | YA_ST             | Y Accel self-test   |
| [5]   | ZA_ST             | Z Accel self-test   |
| [4:3] | ACCEL_FS_SEL[1:0] | Accel Full Scale Select:<br>±2g (00), ±4g (01), ±8g (10), ±16g (11) |
| [2:0] | -                 | Reserved  |

### 9.13 REGISTER 29 – ACCELEROMETER CONFIGURATION 2

**Register Name:** ACCEL\_CONFIG2

**Register Type:** READ/WRITE

**Register Address:** 29 (Decimal); 1D (Hex)

| BIT   | NAME            | FUNCTION  |
|-------|-----------------|---|
| [7:6] | FIFO_SIZE[1:0]  | Specifies FIFO size according to the following:<br>0 = 512 Byte<br>1 = 1 kByte<br>2 = 2 kByte<br>3 = 4 kByte  |
| [5:4] | DEC2_CFG[1:0]   | Averaging filter settings for Low Power Accelerometer mode:<br>0 = Average 4 samples<br>1 = Average 8 samples<br>2 = Average 16 samples<br>3 = Average 32 samples |
| [3]   | ACCEL_FCHOICE_B | Used to bypass DLPF as shown in the table below.  |
| [2:0] | A_DLPF_CFG      | Accelerometer low pass filter setting as shown in the table below.  |

| ACCEL_FCHOICE_B | A_DLPF_CFG | Accelerometer |               |            |
|-----------------|------------|---------------|---------------|------------|
|                 |            | 3-dB BW (Hz)  | Noise BW (Hz) | Rate (kHz) |
| 1               | X          | 1046.0        | 1100.0        | 4          |
| 0               | 0          | 218.1         | 235.0         | 1          |
| 0               | 1          | 218.1         | 235.0         | 1          |
| 0               | 2          | 99.0          | 121.3         | 1          |
| 0               | 3          | 44.8          | 61.5          | 1          |
| 0               | 4          | 21.2          | 31.0          | 1          |
| 0               | 5          | 10.2          | 15.5          | 1          |
| 0               | 6          | 5.1           | 7.8           | 1          |
| 0               | 7          | 420.0         | 441.6         | 1          |

**Table 18. Accelerometer Data Rates and Bandwidths (Low Noise Mode)**

The data output rate of the DLPF filter block can be further reduced by a factor of  $1/(1+SMPLRT\_DIV)$ , where SMPLRT\_DIV is an 8-bit integer. Following is a small subset of ODRs that are configurable for the accelerometer in the low-noise mode in this manner (Hz):

3.91, 7.81, 15.63, 31.25, 62.50, 125, 250, 500, 1K.

The Table 19 lists the accelerometer filter bandwidths, noise, and current consumption available in the low-power mode of operation. In the low-power mode of operation, the accelerometer is duty-cycled.

To operate in accelerometer low-power mode, ACCEL\_CYCLE should be set to '1' in PWR\_MGMT\_1 (address 0x6B).

|                           |                 |                                     |       |       |       |       |
|---------------------------|-----------------|-------------------------------------|-------|-------|-------|-------|
| <b>ACCEL_FCHOICE_B</b>    | 1               | 0                                   | 0     | 0     | 0     | 0     |
| <b>A_DLPF_CFG</b>         | x               | 7                                   | 7     | 7     | 7     | 7     |
| <b>DEC2_CFG</b>           | x               | 0                                   | 1     | 2     | 3     | 3     |
| <b>Averages</b>           | 1x              | 4x                                  | 8x    | 16x   | 32x   | 32x   |
| <b>Ton (ms)</b>           | 1.084           | 1.84                                | 2.84  | 4.84  | 8.84  | 8.84  |
| <b>Noise BW (Hz)</b>      | 1100.0          | 441.6                               | 235.4 | 121.3 | 61.5  | 61.5  |
| <b>Noise (mg-rms) TYP</b> | 6.6             | 4.2                                 | 3.1   | 2.2   | 1.6   | 1.6   |
| <b>SMPLRT_DIV</b>         | <b>ODR (Hz)</b> | <b>Current Consumption (µA) TYP</b> |       |       |       |       |
| 255                       | 3.9             | 8.4                                 | 9.4   | 10.8  | 13.6  | 19.2  |
| 127                       | 7.8             | 9.8                                 | 11.9  | 14.7  | 20.3  | 31.4  |
| 63                        | 15.6            | 12.8                                | 17.0  | 22.5  | 33.7  | 55.9  |
| 31                        | 31.3            | 18.7                                | 27.1  | 38.2  | 60.4  | 104.9 |
| 15                        | 62.5            | 30.4                                | 47.2  | 69.4  | 113.9 | 202.8 |
| 7                         | 125.0           | 57.4                                | 87.5  | 132.0 | 220.9 | N/A   |
| 3                         | 250.0           | 100.9                               | 168.1 | 257.0 | N/A   |       |
| 1                         | 500.0           | 194.9                               | 329.3 | N/A   |       |       |

**Table 19. Accelerometer Filter Bandwidths, Noise, and Current Consumption (Low-Power Mode)**

## 9.14 REGISTER 30 – LOW POWER MODE CONFIGURATION

**Register Name:** LP\_MODE\_CFG

**Register Type:** READ/WRITE

**Register Address:** 30 (Decimal); 1E (Hex)

| BIT   | NAME              | FUNCTION  |
|-------|-------------------|---|
| [7]   | GYRO_CYCLE        | When set to '1' low-power gyroscope mode is enabled. Default setting is '0'           |
| [6:4] | G_AVGCFG[2:0]     | Averaging filter configuration for low-power gyroscope mode. Default setting is '000' |
| [3:0] | LP_MOD_CTRL [3:0] | Controls the clock in low-power mode. Only change as instructed in section 5.1.       |

To operate in gyroscope low-power mode or 6-axis low-power mode, GYRO\_CYCLE should be set to '1.' Gyroscope filter configuration is determined by G\_AVGCFG[2:0] that sets the averaging filter configuration. It is not dependent on DLPF\_CFG[2:0].

Table 20 shows some example configurations for gyroscope low-power mode.

|                            |                 |                                     |       |       |      |       |       |       |     |
|----------------------------|-----------------|-------------------------------------|-------|-------|------|-------|-------|-------|-----|
| <b>FCHOICE_B</b>           | 0               | 0                                   | 0     | 0     | 0    | 0     | 0     | 0     | 0   |
| <b>G_AVGCFG</b>            | 0               | 1                                   | 2     | 3     | 4    | 5     | 6     | 7     |     |
| <b>Averages</b>            | 1x              | 2x                                  | 4x    | 8x    | 16x  | 32x   | 64x   | 128x  |     |
| <b>Ton (ms)</b>            | 1.73            | 2.23                                | 3.23  | 5.23  | 9.23 | 17.23 | 33.23 | 65.23 |     |
| <b>Noise BW (Hz)</b>       | 650.8           | 407.1                               | 224.2 | 117.4 | 60.2 | 30.6  | 15.6  | 8.0   |     |
| <b>Noise (dps-rms) TYP</b> | 0.20            | 0.16                                | 0.12  | 0.09  | 0.06 | 0.04  | 0.03  | 0.02  |     |
| <b>SMPLRT_DIV</b>          | <b>ODR (Hz)</b> | <b>Current Consumption (mA) TYP</b> |       |       |      |       |       |       |     |
| 255                        | 3.9             | 1.3                                 | 1.3   | 1.3   | 1.3  | 1.4   | 1.4   | 1.5   | 1.8 |
| 99                         | 10.0            | 1.3                                 | 1.3   | 1.4   | 1.4  | 1.5   | 1.6   | 1.9   | 2.5 |
| 64                         | 15.4            | 1.4                                 | 1.4   | 1.4   | 1.5  | 1.6   | 1.8   | 2.2   | N/A |
| 32                         | 30.3            | 1.4                                 | 1.4   | 1.5   | 1.6  | 1.8   | 2.2   | N/A   |     |
| 19                         | 50.0            | 1.5                                 | 1.5   | 1.6   | 1.8  | 2.1   | 2.8   | N/A   |     |
| 9                          | 100.0           | 1.6                                 | 1.7   | 1.9   | 2.2  | 3.0   | N/A   |       |     |
| 7                          | 125.0           | 1.7                                 | 1.8   | 2.0   | 2.5  | N/A   |       |       |     |
| 4                          | 200.0           | 1.9                                 | 2.1   | 2.5   | N/A  |       |       |       |     |
| 3                          | 250.0           | 2.1                                 | 2.3   | 2.7   | N/A  |       |       |       |     |
| 2                          | 333.3           | 2.3                                 | 2.6   | N/A   |      |       |       |       |     |
| 1                          | 500.0           | 2.9                                 | N/A   |       |      |       |       |       |     |

**Table 20. Example Configurations for Gyroscope Low-Power Mode**

### 9.15 REGISTER 31 – WAKE-ON MOTION THRESHOLD (ACCELEROMETER)

Register Name: ACCEL\_WOM\_THR

Register Type: READ/WRITE

Register Address: 31 (Decimal); 1F (Hex)

| BIT   | NAME         | FUNCTION  |
|-------|--------------|---|
| [7:0] | WOM_THR[7:0] | This register holds the threshold value for the Wake on Motion Interrupt for accelerometer. Wake on motion threshold resolution is 4 mg/LSB regardless the selected full scale. |

### 9.16 REGISTER 35 – FIFO ENABLE

Register Name: FIFO\_EN

Register Type: READ/WRITE

Register Address: 35 (Decimal); 23 (Hex)

| BIT   | NAME          | FUNCTION  |
|-------|---------------|---|
| [7]   | TEMP_FIFO_EN  | 1 – Write TEMP_OUT_H and TEMP_OUT_L to the FIFO at the sample rate; If enabled, buffering of data occurs even if data path is in standby.<br>0 – Function is disabled.  |
| [6]   | XG_FIFO_EN    | 1 – Write GYRO_XOUT_H and GYRO_XOUT_L to the FIFO at the sample rate; If enabled, buffering of data occurs even if data path is in standby.<br>0 – Function is disabled.  |
| [5]   | YG_FIFO_EN    | 1 – Write GYRO_YOUT_H and GYRO_YOUT_L to the FIFO at the sample rate; If enabled, buffering of data occurs even if data path is in standby.<br>0 – Function is disabled.<br><b>Note:</b> Enabling any one of the bits corresponding to the Gyros or Temp data paths, data are buffered into the FIFO even though that data path is not enabled. |
| [4]   | ZG_FIFO_EN    | 1 – Write GYRO_ZOUT_H and GYRO_ZOUT_L to the FIFO at the sample rate; If enabled, buffering of data occurs even if data path is in standby.<br>0 – Function is disabled   |
| [3]   | ACCEL_FIFO_EN | 1 – Write ACCEL_XOUT_H, ACCEL_XOUT_L, ACCEL_YOUT_H, ACCEL_YOUT_L, ACCEL_ZOUT_H, and ACCEL_ZOUT_L to the FIFO at the sample rate;<br>0 – Function is disabled.   |
| [2:0] | -             | Reserved.   |

### 9.17 REGISTER 54 – FSYNC INTERRUPT STATUS

Register Name: FSYNC\_INT

Register Type: READ to CLEAR

Register Address: 54 (Decimal); 36 (Hex)

| BIT | NAME      | FUNCTION  |
|-----|-----------|---|
| [7] | FSYNC_INT | This bit automatically sets to 1 when a FSYNC interrupt has been generated. The bit clears to 0 after the register has been read. |

### 9.18 REGISTER 55 – INT PIN / BYPASS ENABLE CONFIGURATION

Register Name: INT\_PIN\_CFG

Register Type: READ/WRITE

Register Address: 55 (Decimal); 37 (Hex)

| BIT | NAME              | FUNCTION  |
|-----|-------------------|---|
| [7] | INT_LEVEL         | 1 – The logic level for INT pin is active low.<br>0 – The logic level for INT pin is active high.   |
| [6] | INT_OPEN          | 1 – INT pin is configured as open drain.<br>0 – INT pin is configured as push-pull.   |
| [5] | LATCH_INT_EN      | 1 – INT pin level held until interrupt status is cleared.<br>0 – INT pin indicates interrupt pulse's width is 50 $\mu$ s.   |
| [4] | INT_RD_CLEAR      | 1 – Interrupt status is cleared if any read operation is performed.<br>0 – Interrupt status is cleared only by reading INT_STATUS register  |
| [3] | FSYNC_INT_LEVEL   | 1 – The logic level for the FSYNC pin as an interrupt is active low.<br>0 – The logic level for the FSYNC pin as an interrupt is active high.   |
| [2] | FSYNC_INT_MODE_EN | When this bit is equal to 1, the FSYNC pin will trigger an interrupt when it transitions to the level specified by FSYNC_INT_LEVEL. When this bit is equal to 0, the FSYNC pin is disabled from causing an interrupt. |
| [1] | -                 | Reserved.   |
| [0] | -                 | Always set to 0.  |

### 9.19 REGISTER 56 – INTERRUPT ENABLE

**Register Name:** INT\_ENABLE

**Register Type:** READ/WRITE

**Register Address:** 56 (Decimal); 38 (Hex)

| BIT   | NAME            | FUNCTION  |
|-------|-----------------|---|
| [7:5] | WOM_INT_EN[2:0] | 111 – Enable WoM interrupt on accelerometer.<br>000 – Disable WoM interrupt on accelerometer. |
| [4]   | FIFO_OFLOW_EN   | 1 – Enables a FIFO buffer overflow to generate an interrupt.<br>0 – Function is disabled.     |
| [3]   | -               | Reserved.   |
| [2]   | GDRIVE_INT_EN   | Gyroscope Drive System Ready interrupt enable.  |
| [1]   | -               | Reserved.   |
| [0]   | DATA_RDY_INT_EN | Data ready interrupt enable.  |

### 9.20 REGISTER 58 – INTERRUPT STATUS

**Register Name:** INT\_STATUS

**Register Type:** READ to CLEAR

**Register Address:** 58 (Decimal); 3A (Hex)

| BIT   | NAME           | FUNCTION   |
|-------|----------------|--|
| [7:5] | WOM_INT[2:0]   | Accelerometer WoM interrupt status. Cleared on Read.<br>111 – WoM interrupt on accelerometer   |
| [4]   | FIFO_OFLOW_INT | This bit automatically sets to 1 when a FIFO buffer overflow has been generated. The bit clears to 0 after the register has been read. |
| [3]   | -              | Reserved.  |
| [2]   | GDRIVE_INT     | Gyroscope Drive System Ready interrupt   |
| [1]   | -              | Reserved.  |
| [0]   | DATA_RDY_INT   | This bit automatically sets to 1 when a Data Ready interrupt is generated. The bit clears to 0 after the register has been read.       |

### 9.21 REGISTERS 59 TO 64 – ACCELEROMETER MEASUREMENTS

**Register Name:** ACCEL\_XOUT\_H

**Register Type:** READ only

**Register Address:** 59 (Decimal); 3B (Hex)

| BIT   | NAME               | FUNCTION                                |
|-------|--------------------|---|
| [7:0] | ACCEL_XOUT_H[15:8] | High byte of accelerometer x-axis data. |

**Register Name:** ACCEL\_XOUT\_L

**Register Type:** READ only

**Register Address:** 60 (Decimal); 3C (Hex)

| BIT   | NAME              | FUNCTION                               |
|-------|-------------------|--|
| [7:0] | ACCEL_XOUT_L[7:0] | Low byte of accelerometer x-axis data. |

**Register Name:** ACCEL\_YOUT\_H

**Register Type:** READ only

**Register Address:** 61 (Decimal); 3D (Hex)

| BIT   | NAME               | FUNCTION                                |
|-------|--------------------|---|
| [7:0] | ACCEL_YOUT_H[15:8] | High byte of accelerometer y-axis data. |



Register Name: ACCEL\_YOUT\_L

Register Type: READ only

Register Address: 62 (Decimal); 3E (Hex)

| BIT   | NAME              | FUNCTION                               |
|-------|-------------------|--|
| [7:0] | ACCEL_YOUT_L[7:0] | Low byte of accelerometer y-axis data. |

Register Name: ACCEL\_ZOUT\_H

Register Type: READ only

Register Address: 63 (Decimal); 3F (Hex)

| BIT   | NAME               | FUNCTION                                |
|-------|--------------------|---|
| [7:0] | ACCEL_ZOUT_H[15:8] | High byte of accelerometer z-axis data. |

Register Name: ACCEL\_ZOUT\_L

Register Type: READ only

Register Address: 64 (Decimal); 40 (Hex)

| BIT   | NAME              | FUNCTION                               |
|-------|-------------------|--|
| [7:0] | ACCEL_ZOUT_L[7:0] | Low byte of accelerometer z-axis data. |

## 9.22 REGISTERS 65 AND 66 – TEMPERATURE MEASUREMENT

Register Name: TEMP\_OUT\_H

Register Type: READ only

Register Address: 65 (Decimal); 41 (Hex)

| BIT   | NAME           | FUNCTION                                    |
|-------|----------------|---|
| [7:0] | TEMP_OUT[15:8] | High byte of the temperature sensor output. |

Register Name: TEMP\_OUT\_L

Register Type: READ only

Register Address: 66 (Decimal); 42 (Hex)

| BIT   | NAME          | FUNCTION   |
|-------|---------------|--|
| [7:0] | TEMP_OUT[7:0] | Low byte of the temperature sensor output<br>$\text{TEMP\_degC} = ((\text{TEMP\_OUT} - \text{RoomTemp\_Offset}) / \text{Temp\_Sensitivity}) + 25\text{degC}$ |

## 9.23 REGISTERS 67 TO 72 – GYROSCOPE MEASUREMENTS

Register Name: GYRO\_XOUT\_H

Register Type: READ only

Register Address: 67 (Decimal); 43 (Hex)

| BIT   | NAME            | FUNCTION                                  |
|-------|-----------------|---|
| [7:0] | GYRO_XOUT[15:8] | High byte of the X-Axis gyroscope output. |

Register Name: GYRO\_XOUT\_L

Register Type: READ only

Register Address: 68 (Decimal); 44 (Hex)

| BIT   | NAME           | FUNCTION   |
|-------|----------------|--|
| [7:0] | GYRO_XOUT[7:0] | Low byte of the X-Axis gyroscope output.<br>$\text{GYRO\_XOUT} = \begin{matrix} \text{Gyro\_Sensitivity} * \text{X\_angular\_rate} \\ \text{Nominal} & \text{FS\_SEL} = 0 \\ \text{Conditions} & \text{Gyro\_Sensitivity} = 131 \text{ LSB}/(\text{dps}) \end{matrix}$ |

Register Name: GYRO\_YOUT\_H

Register Type: READ only

Register Address: 69 (Decimal); 45 (Hex)

| BIT   | NAME            | FUNCTION                                  |
|-------|-----------------|---|
| [7:0] | GYRO_YOUT[15:8] | High byte of the Y-Axis gyroscope output. |

Register Name: GYRO\_YOUT\_L

Register Type: READ only

Register Address: 70 (Decimal); 46 (Hex)

| BIT                | NAME   | FUNCTION   |             |                                   |                    |  |
|--------------------|--|--|-------------|-----------------------------------|--------------------|--|
| [7:0]              | GYRO_YOUT[7:0]                                 | Low byte of the Y-Axis gyroscope output.<br><table border="1"> <tr> <td>GYRO_YOUT =</td> <td>Gyro_Sensitivity * Y_angular_rate</td> </tr> <tr> <td>Nominal Conditions</td> <td>FS_SEL = 0<br/>Gyro_Sensitivity = 131 LSB/(dps)</td> </tr> </table> | GYRO_YOUT = | Gyro_Sensitivity * Y_angular_rate | Nominal Conditions | FS_SEL = 0<br>Gyro_Sensitivity = 131 LSB/(dps) |
| GYRO_YOUT =        | Gyro_Sensitivity * Y_angular_rate              |  |             |                                   |                    |  |
| Nominal Conditions | FS_SEL = 0<br>Gyro_Sensitivity = 131 LSB/(dps) |  |             |                                   |                    |  |

Register Name: GYRO\_ZOUT\_H

Register Type: READ only

Register Address: 71 (Decimal); 47 (Hex)

| BIT   | NAME            | FUNCTION                                  |
|-------|-----------------|---|
| [7:0] | GYRO_ZOUT[15:8] | High byte of the Z-Axis gyroscope output. |

Register Name: GYRO\_ZOUT\_L

Register Type: READ only

Register Address: 72 (Decimal); 48 (Hex)

| BIT                | NAME   | FUNCTION   |             |                                   |                    |  |
|--------------------|--|--|-------------|-----------------------------------|--------------------|--|
| [7:0]              | GYRO_ZOUT[7:0]                                 | Low byte of the Z-Axis gyroscope output.<br><table border="1"> <tr> <td>GYRO_ZOUT =</td> <td>Gyro_Sensitivity * Z_angular_rate</td> </tr> <tr> <td>Nominal Conditions</td> <td>FS_SEL = 0<br/>Gyro_Sensitivity = 131 LSB/(dps)</td> </tr> </table> | GYRO_ZOUT = | Gyro_Sensitivity * Z_angular_rate | Nominal Conditions | FS_SEL = 0<br>Gyro_Sensitivity = 131 LSB/(dps) |
| GYRO_ZOUT =        | Gyro_Sensitivity * Z_angular_rate              |  |             |                                   |                    |  |
| Nominal Conditions | FS_SEL = 0<br>Gyro_Sensitivity = 131 LSB/(dps) |  |             |                                   |                    |  |

## 9.24 REGISTER 104 – SIGNAL PATH RESET

Register Name: SIGNAL\_PATH\_RESET

Register Type: READ/WRITE

Register Address: 104 (Decimal); 68 (Hex)

| BIT   | NAME      | FUNCTION   |
|-------|-----------|--|
| [7:2] | -         | Reserved.  |
| [1]   | ACCEL_RST | Reset accel digital signal path.<br><b>Note:</b> Sensor registers are not cleared. Use SIG_COND_RST to clear sensor registers. |
| [0]   | TEMP_RST  | Reset temp digital signal path.<br><b>Note:</b> Sensor registers are not cleared. Use SIG_COND_RST to clear sensor registers.  |

## 9.25 REGISTER 105 – ACCELEROMETER INTELLIGENCE CONTROL

Register Name: ACCEL\_INTEL\_CTRL

Register Type: READ/WRITE

Register Address: 105 (Decimal); 69 (Hex)

| BIT   | NAME             | FUNCTION   |
|-------|------------------|--|
| [7]   | ACCEL_INTEL_EN   | This bit enables the Wake-on-Motion detection logic.   |
| [6]   | ACCEL_INTEL_MODE | 0 – Compares the current sample to the first sample taken when entering in low-power mode.<br>1 – Compare the current sample with the previous sample. |
| [5:1] | -                | Reserved.  |
| [0]   | -                | Reserved.<br>Must be set to 0 when WOM is activated. Please refer to section 5.1   |

## 9.26 REGISTER 106 – USER CONTROL

Register Name: USER\_CTRL

Register Type: READ/WRITE

Register Address: 106 (Decimal); 6A (Hex)

| BIT | NAME         | FUNCTION  |
|-----|--------------|---|
| [7] | -            | Reserved.   |
| [6] | FIFO_EN      | 1 – Enable FIFO operation mode.<br>0 – Disable FIFO access from serial interface. To disable FIFO writes by DMA, use FIFO_EN register.          |
| [5] | -            | Reserved.   |
| [4] | I2C_IF_DIS   | 1 – Disable I <sup>2</sup> C Slave module and put the serial interface in SPI mode only.  |
| [3] | -            | Reserved.   |
| [2] | FIFO_RST     | 1 – Reset FIFO module. Reset is asynchronous. This bit auto clears after one clock cycle of the internal 20 MHz clock.                          |
| [1] | -            | Reserved.   |
| [0] | SIG_COND_RST | 1 – Reset all gyro digital signal path, accel digital signal path, and temp digital signal path. This bit also clears all the sensor registers. |

## 9.27 REGISTER 107 – POWER MANAGEMENT 1

Register Name: PWR\_MGMT\_1

Register Type: READ/WRITE

Register Address: 107 (Decimal); 6B (Hex)

| BIT   | NAME  | FUNCTION  |      |              |   |                             |   |   |   |   |   |   |   |   |   |   |   |                             |   |  |
|-------|---|---|------|--------------|---|-----------------------------|---|---|---|---|---|---|---|---|---|---|---|-----------------------------|---|--|
| [7]   | DEVICE_RESET  | 1 – Reset the internal registers and restores the default settings. The bit automatically clears to 0 once the reset is done.   |      |              |   |                             |   |   |   |   |   |   |   |   |   |   |   |                             |   |  |
| [6]   | SLEEP   | When set to 1, the chip is set to sleep mode.   |      |              |   |                             |   |   |   |   |   |   |   |   |   |   |   |                             |   |  |
| [5]   | ACCEL_CYCLE   | When set to 1, and SLEEP and STANDBY are not set to 1, the chip will cycle between sleep and taking a single accelerometer sample at a rate determined by SMPLRT_DIV<br><b>Note:</b> When all accelerometer axes are disabled via PWR_MGMT_2 register bits and cycle is enabled, the chip will wake up at the rate determined by the respective registers above, but will not take any samples.   |      |              |   |                             |   |   |   |   |   |   |   |   |   |   |   |                             |   |  |
| [4]   | GYRO_STANDBY  | When set, the gyro drive and pll circuitry are enabled, but the sense paths are disabled. This is a low power mode that allows quick enabling of the gyros.   |      |              |   |                             |   |   |   |   |   |   |   |   |   |   |   |                             |   |  |
| [3]   | TEMP_DIS  | When set to 1, this bit disables the temperature sensor.  |      |              |   |                             |   |   |   |   |   |   |   |   |   |   |   |                             |   |  |
| [2:0] | CLKSEL[2:0]   | <table border="1"> <thead> <tr> <th>Code</th> <th>Clock Source</th> </tr> </thead> <tbody> <tr> <td>0</td> <td>Internal 20 MHz oscillator.</td> </tr> <tr> <td>1</td> <td>Auto selects the best available clock source – PLL if ready, else use the Internal oscillator</td> </tr> <tr> <td>2</td> <td>Auto selects the best available clock source – PLL if ready, else use the Internal oscillator</td> </tr> <tr> <td>3</td> <td>Auto selects the best available clock source – PLL if ready, else use the Internal oscillator</td> </tr> <tr> <td>4</td> <td>Auto selects the best available clock source – PLL if ready, else use the Internal oscillator</td> </tr> <tr> <td>5</td> <td>Auto selects the best available clock source – PLL if ready, else use the Internal oscillator</td> </tr> <tr> <td>6</td> <td>Internal 20 MHz oscillator.</td> </tr> <tr> <td>7</td> <td>Stops the clock and keeps timing generator in reset.</td> </tr> </tbody> </table> | Code | Clock Source | 0 | Internal 20 MHz oscillator. | 1 | Auto selects the best available clock source – PLL if ready, else use the Internal oscillator | 2 | Auto selects the best available clock source – PLL if ready, else use the Internal oscillator | 3 | Auto selects the best available clock source – PLL if ready, else use the Internal oscillator | 4 | Auto selects the best available clock source – PLL if ready, else use the Internal oscillator | 5 | Auto selects the best available clock source – PLL if ready, else use the Internal oscillator | 6 | Internal 20 MHz oscillator. | 7 | Stops the clock and keeps timing generator in reset. |
| Code  | Clock Source  |   |      |              |   |                             |   |   |   |   |   |   |   |   |   |   |   |                             |   |  |
| 0     | Internal 20 MHz oscillator.   |   |      |              |   |                             |   |   |   |   |   |   |   |   |   |   |   |                             |   |  |
| 1     | Auto selects the best available clock source – PLL if ready, else use the Internal oscillator |   |      |              |   |                             |   |   |   |   |   |   |   |   |   |   |   |                             |   |  |
| 2     | Auto selects the best available clock source – PLL if ready, else use the Internal oscillator |   |      |              |   |                             |   |   |   |   |   |   |   |   |   |   |   |                             |   |  |
| 3     | Auto selects the best available clock source – PLL if ready, else use the Internal oscillator |   |      |              |   |                             |   |   |   |   |   |   |   |   |   |   |   |                             |   |  |
| 4     | Auto selects the best available clock source – PLL if ready, else use the Internal oscillator |   |      |              |   |                             |   |   |   |   |   |   |   |   |   |   |   |                             |   |  |
| 5     | Auto selects the best available clock source – PLL if ready, else use the Internal oscillator |   |      |              |   |                             |   |   |   |   |   |   |   |   |   |   |   |                             |   |  |
| 6     | Internal 20 MHz oscillator.   |   |      |              |   |                             |   |   |   |   |   |   |   |   |   |   |   |                             |   |  |
| 7     | Stops the clock and keeps timing generator in reset.  |   |      |              |   |                             |   |   |   |   |   |   |   |   |   |   |   |                             |   |  |

**Note:** The default value of CLKSEL[2:0] is 000. It is required that CLKSEL[2:0] be set to 001 to achieve full gyroscope performance.

## 9.28 REGISTER 108 – POWER MANAGEMENT 2

**Register Name:** PWR\_MGMT\_2

**Register Type:** READ/WRITE

**Register Address:** 108 (Decimal); 6C (Hex)

| BIT | NAME       | FUNCTION   |
|-----|------------|--|
| [7] | FIFO_LP_EN | 1 – Enable FIFO in low-power accelerometer mode. Default setting is 0. |
| [6] | -          | Reserved.  |
| [5] | STBY_XA    | 1 – X accelerometer is disabled.<br>0 – X accelerometer is on.         |
| [4] | STBY_YA    | 1 – Y accelerometer is disabled.<br>0 – Y accelerometer is on.         |
| [3] | STBY_ZA    | 1 – Z accelerometer is disabled.<br>0 – Z accelerometer is on.         |
| [2] | STBY_XG    | 1 – X gyro is disabled.<br>0 – X gyro is on.                           |
| [1] | STBY_YG    | 1 – Y gyro is disabled.<br>0 – Y gyro is on.                           |
| [0] | STBY_ZG    | 1 – Z gyro is disabled.<br>0 – Z gyro is on.                           |

## 9.29 REGISTERS 114 AND 115 – FIFO COUNT REGISTERS

**Register Name:** FIFO\_COUNTH

**Register Type:** READ Only

**Register Address:** 114 (Decimal); 72 (Hex)

| BIT   | NAME             | FUNCTION   |
|-------|------------------|--|
| [7:5] | -                | Reserved.  |
| [4:0] | FIFO_COUNT[12:8] | High Bits; count indicates the number of written bytes in the FIFO.<br>Reading this byte latches the data for both FIFO_COUNTH, and FIFO_COUNTL. |

**Register Name:** FIFO\_COUNTL

**Register Type:** READ Only

**Register Address:** 115 (Decimal); 73 (Hex)

| BIT   | NAME            | FUNCTION   |
|-------|-----------------|--|
| [7:0] | FIFO_COUNT[7:0] | Low Bits; count indicates the number of written bytes in the FIFO.<br><b>Note:</b> Must read FIFO_COUNTH to latch new data for both FIFO_COUNTH and FIFO_COUNTL. |

### 9.30 REGISTER 116 – FIFO READ WRITE

**Register Name:** FIFO\_R\_W

**Register Type:** READ/WRITE

**Register Address:** 116 (Decimal); 74 (Hex)

| BIT   | NAME           | FUNCTION  |
|-------|----------------|---|
| [7:0] | FIFO_DATA[7:0] | Read/Write command provides Read or Write operation for the FIFO. |

Description:

This register is used to read and write data from the FIFO buffer.

Data are written to the FIFO in order of register number (from lowest to highest). If all the FIFO enable flags (see below) are enabled, the contents of registers 59 through 72 will be written in order at the Sample Rate.

The contents of the sensor data registers (Registers 59 to 72) are written into the FIFO buffer when their corresponding FIFO enable flags are set to 1 in FIFO\_EN (Register 35).

If the FIFO buffer has overflowed, the status bit *FIFO\_OFLOW\_INT* is automatically set to 1. This bit is located in INT\_STATUS (Register 58). When the FIFO buffer has overflowed, the oldest data will be lost and new data will be written to the FIFO unless register 26 CONFIG, bit[6] FIFO\_MODE = 1.

If the FIFO buffer is empty, reading register FIFO\_DATA will return a unique value of 0xFF until new data are available. Normal data are precluded from ever indicating 0xFF, so 0xFF gives a trustworthy indication of FIFO empty.

### 9.31 REGISTER 117 – WHO AM I

**Register Name:** WHO\_AM\_I

**Register Type:** READ only

**Register Address:** 117 (Decimal); 75 (Hex)

| BIT   | NAME   | FUNCTION   |
|-------|--------|--|
| [7:0] | WHOAMI | Register to indicate to user which device is being accessed. |

This register is used to verify the identity of the device. The contents of *WHOAMI* is an 8-bit device ID. The default value of the register is 0xF8. This is different from the I<sup>2</sup>C address of the device as seen on the slave I<sup>2</sup>C controller by the applications processor. The I<sup>2</sup>C address of the IAM-20680HP is 0x68 or 0x69 depending upon the value driven on AD0 pin.

### 9.32 REGISTERS 119, 120, 122, 123, 125, 126 ACCELEROMETER OFFSET REGISTERS

**Register Name:** XA\_OFFSET\_H

**Register Type:** READ/WRITE

**Register Address:** 119 (Decimal); 77 (Hex)

| BIT   | NAME          | FUNCTION   |
|-------|---------------|--|
| [7:0] | XA_OFFS[14:7] | Bits 14 to 7 of the 15-bit of the X accelerometer offset cancellation (2's complement). ±16g Offset cancellation in all Full-Scale modes, 15 bit 0.98-mg steps |

**Register Name:** XA\_OFFSET\_L

**Register Type:** READ/WRITE

**Register Address:** 120 (Decimal); 78 (Hex)

| BIT   | NAME         | FUNCTION  |
|-------|--------------|---|
| [7:1] | XA_OFFS[6:0] | Bits 6 to 0 of the 15-bit of the X accelerometer offset cancellation. (2's complement). ±16g Offset cancellation in all Full-Scale modes, 15 bit 0.98-mg steps. |
| [0]   | -            | Reserved. This bit is set during factory calibration and the value must be kept unchanged.  |

**Register Name: YA\_OFFSET\_H**

**Register Type: READ/WRITE**

**Register Address: 122 (Decimal); 7A (Hex)**

| BIT   | NAME          | FUNCTION   |
|-------|---------------|--|
| [7:0] | YA_OFFS[14:7] | Bits 14 to 7 of the 15-bit of the Y accelerometer offset cancellation (2's complement).<br>±16g Offset cancellation in all Full-Scale modes, 15 bit 0.98-mg steps. |

**Register Name: YA\_OFFSET\_L**

**Register Type: READ/WRITE**

**Register Address: 123 (Decimal); 7B (Hex)**

| BIT   | NAME         | FUNCTION   |
|-------|--------------|--|
| [7:1] | YA_OFFS[6:0] | Bits 6 to 0 of the 15-bit of the Y accelerometer offset cancellation (2's complement).<br>±16g Offset cancellation in all Full-Scale modes, 15 bit 0.98-mg steps.. |
| [0]   | -            | Reserved. This bit is set during factory calibration and the value must be kept unchanged.   |

**Register Name: ZA\_OFFSET\_H**

**Register Type: READ/WRITE**

**Register Address: 125 (Decimal); 7D (Hex)**

| BIT   | NAME          | FUNCTION   |
|-------|---------------|--|
| [7:0] | ZA_OFFS[14:7] | Bits 14 to 7 of the 15-bit of the Z accelerometer offset cancellation (2's complement).<br>±16g Offset cancellation in all Full-Scale modes, 15 bit 0.98-mg steps. |

**Register Name: ZA\_OFFSET\_L**

**Register Type: READ/WRITE**

**Register Address: 126 (Decimal); 7E (Hex)**

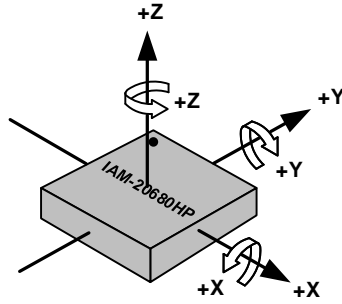
| BIT   | NAME         | FUNCTION  |
|-------|--------------|---|
| [7:1] | ZA_OFFS[6:0] | Bits 6 to 0 of the 15-bit of the Z accelerometer offset cancellation (2's complement).<br>±16g Offset cancellation in all Full-Scale modes, 15 bit 0.98-mg steps. |
| [0]   | -            | Reserved. This bit is set during factory calibration and the value must be kept unchanged.  |

## 10 ASSEMBLY

This section provides general guidelines for assembling TDK-InvenSense Micro Electro-Mechanical Systems (MEMS) gyros packaged in LGA package.

### 10.1 ORIENTATION OF AXES

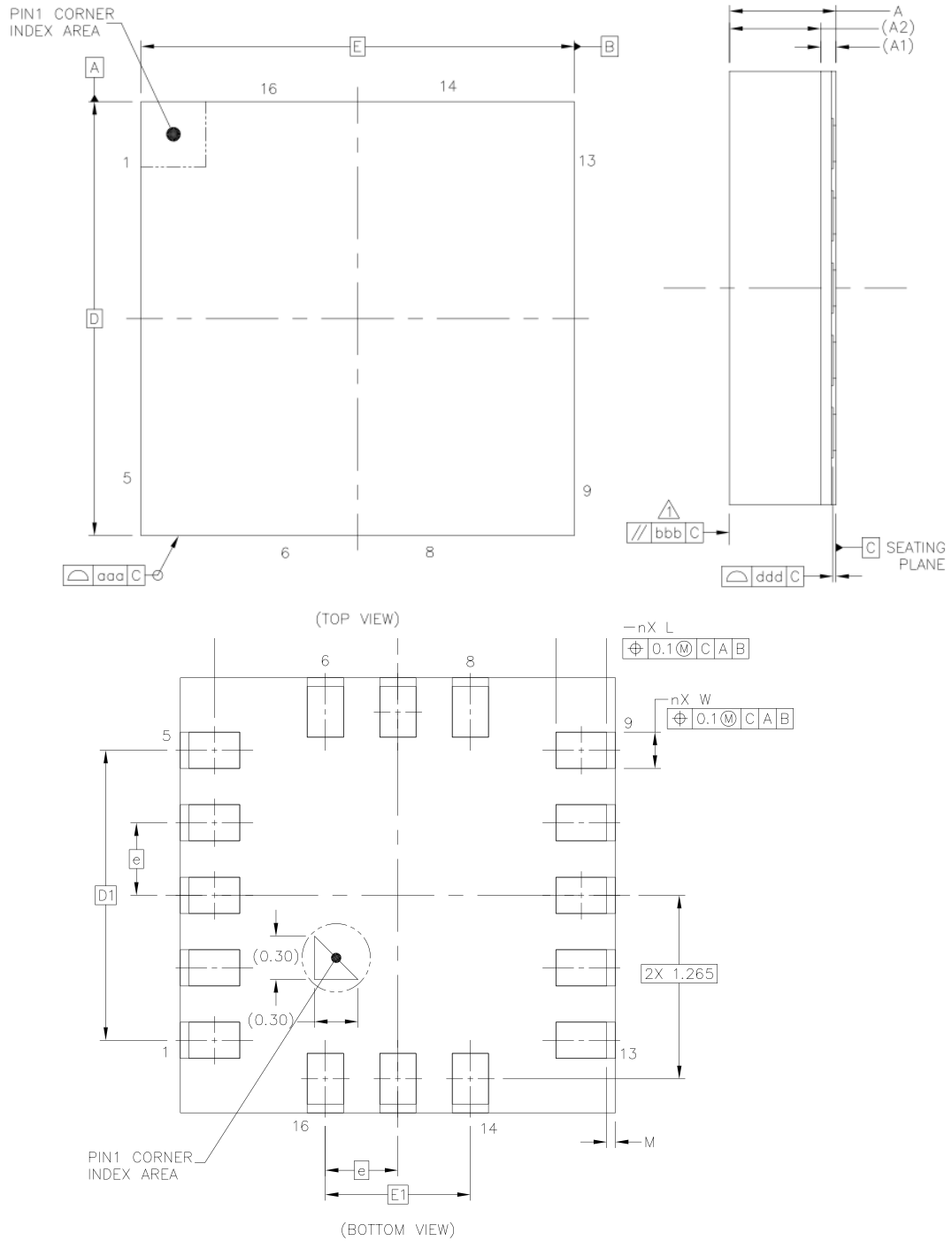
Figure 13 below shows the orientation of the axes of sensitivity and the polarity of rotation. Note the pin 1 identifier (•) in the figure.



**Figure 13. Orientation of Axes of Sensitivity and Polarity of Rotation**

**10.2 PACKAGE DIMENSIONS**

16 Lead LGA (3x3x0.75) mm<sup>3</sup> NiAu pad finish



**Figure 14. Package Dimensions**



|                             | SYMBOLS | DIMENSIONS IN MILLIMETERS |      |      |
|-----------------------------|---------|---------------------------|------|------|
|                             |         | MIN                       | NOM  | MAX  |
| Total Thickness             | A       | 0.7                       | 0.75 | 0.8  |
| Substrate Thickness         | A1      | 0.105                     |      | REF  |
| Mold Thickness              | A2      | 0.63                      |      | REF  |
| Body Size                   | D       | 2.9                       | 3    | 3.1  |
|                             | E       | 2.9                       | 3    | 3.1  |
| Lead Width                  | W       | 0.2                       | 0.25 | 0.3  |
| Lead Length                 | L       | 0.3                       | 0.35 | 0.4  |
| Lead Pitch                  | e       | 0.5                       |      | BSC  |
| Lead Count                  | n       | 16                        |      |      |
| Edge Lead Center to Center  | D1      | 2                         |      | BSC  |
|                             | E1      | 1                         |      | BSC  |
| Body Center to Contact Lead | SD      | ---                       |      | BSC  |
|                             | SE      | ---                       |      | BSC  |
| Ball Width                  | b       | ---                       | ---  | ---  |
| Ball Diameter               |         | ---                       |      |      |
| Ball Opening                |         | ---                       |      |      |
| Ball Pitch                  | e1      | ---                       |      |      |
| Ball Count                  | n1      | ---                       |      |      |
| Pre-Solder                  |         | ---                       | ---  | ---  |
| Package Edge Tolerance      | aaa     | 0.1                       |      |      |
| Mold Flatness               | bbb     | 0.2                       |      |      |
| Coplanarity                 | ddd     | 0.08                      |      |      |
| Ball Offset (Package)       | eee     | ---                       |      |      |
| Ball Offset (Ball)          | fff     | ---                       |      |      |
| Lead Edge to Package Edge   | M       | 0.05                      | 0.1  | 0.15 |

**Table 21. Package Dimensions**

## 11 PART NUMBER PACKAGE MARKING

The part number package marking for IAM-20680HP devices is summarized below:

| PART NUMBER | PART NUMBER PACKAGE MARKING |
|-------------|-----------------------------|
| IAM-20680HP | IA268HP                     |

Table 22. Part Number Package Marking

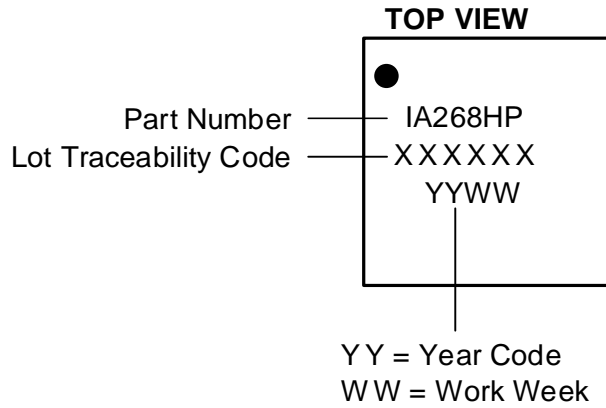


Figure 15. Part Number Package Marking

Samples with Part Number Package Marking “IA268HP E” are engineering samples and may have deviations in respect to the specifications and functions reported in the datasheet. Engineering samples are not production-intent parts.

## **12 REFERENCE**

Please refer to “InvenSense MEMS Motion Handling and Assembly Guide (AN-IVS-0002A-00)” for the following information:

- Manufacturing Recommendations
  - Assembly Guidelines and Recommendations
  - PCB Design Guidelines and Recommendations
  - MEMS Handling Instructions
  - ESD Considerations
  - Reflow Specification
  - Storage Specifications
  - Package Marking Specification
  - Tape & Reel Specification
  - Reel & Pizza Box Label
  - Packaging
  - Representative Shipping Carton Label
- Compliance
  - Environmental Compliance
  - DRC Compliance
  - Compliance Declaration Disclaimer

**13 REVISION HISTORY**

| REVISION DATE | REVISION | DESCRIPTION      |
|---------------|----------|------------------|
| 10/05/2020    | 1.0      | Initial revision |

This information furnished by InvenSense, Inc. (“InvenSense”) is believed to be accurate and reliable. However, no responsibility is assumed by InvenSense for its use, or for any infringements of patents or other rights of third parties that may result from its use. Specifications are subject to change without notice. InvenSense reserves the right to make changes to this product, including its circuits and software, in order to improve its design and/or performance, without prior notice. InvenSense makes no warranties, neither expressed nor implied, regarding the information and specifications contained in this document. InvenSense assumes no responsibility for any claims or damages arising from information contained in this document, or from the use of products and services detailed therein. This includes, but is not limited to, claims or damages based on the infringement of patents, copyrights, mask work and/or other intellectual property rights.

Certain intellectual property owned by InvenSense and described in this document is patent protected. No license is granted by implication or otherwise under any patent or patent rights of InvenSense. This publication supersedes and replaces all information previously supplied. Trademarks that are registered trademarks are the property of their respective companies. InvenSense sensors should not be used or sold in the development, storage, production or utilization of any conventional or mass-destructive weapons or for any other weapons or life threatening applications, as well as in any other life critical applications such as medical equipment, transportation, aerospace and nuclear instruments, undersea equipment, power plant equipment, disaster prevention and crime prevention equipment.

©2017—2019 InvenSense. All rights reserved. InvenSense, MotionTracking, MotionProcessing, MotionProcessor, MotionFusion, MotionApps, DMP, AAR, and the InvenSense logo are trademarks of InvenSense, Inc. The TDK logo is a trademark of TDK Corporation. Other company and product names may be trademarks of the respective companies with which they are associated.