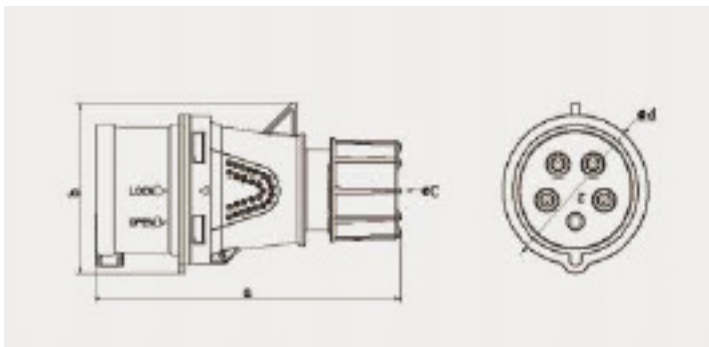


RoHS
Compliant

PLUG 16A 4P IP44 400V PL16280



| | |
|-------------------------------|-------|
| a | 133 |
| b | 65.5 |
| c | 15.5 |
| d | 58.5 |
| Cable size (mm ²) | 1~2.5 |

Specification:

| | |
|----------------------------|---------------|
| Number of Pole: | 3P+E |
| Rated Voltage: | 380V~415V |
| Rated Current: | 16A |
| IP Class: | 44 |
| Position of Earth Contact: | 6H |
| Colour: | Red |
| Packaging: | 100pcs/carton |

Important Notice : This data sheet and its contents (the "Information") belong to pro-ELEC. No licence is granted for the use of it other than for information purposes in connection with the products to which it relates. No licence of any intellectual property rights is granted. The Information is subject to change without notice and replaces all data sheets previously supplied. The Information supplied is believed to be accurate but pro-ELEC assumes no responsibility for its accuracy or completeness, any error in or omission from it or for any use made of it. Users of this data sheet should check for themselves the Information and the suitability of the products for their purpose and not make any assumptions based on information included or omitted. Liability for loss or damage resulting from any reliance on the Information or use of it (including liability resulting from negligence or where pro-ELEC was aware of the possibility of such loss or damage arising) is excluded. This will not operate to limit or restrict pro-ELEC's liability for death or personal injury resulting from its negligence.