

Display Update Message  
Shopping Cart Display Updated

[NVENT.COM](#)

[Unit of Measure - Metric](#) >



[nVent SCHROFF | Europe, Middle East, Africa and India - English | Change](#)

[Partner Login](#)

[Sign In / Register](#)



Shopping Cart  
Project - 0 item(s)

[MY PROJECT LIST](#)

- [Products](#)
  - [Configurators](#)
    - [- Varistar cabinet configurator](#)
    - [- Novastar cabinet configurator](#)
    - [- Subrack configurator](#)
    - [- Front panel configurator](#)
    - [- Wedge Lok configurator](#)
    - [- All configurators](#)
  - [IT Infrastructure](#)
    - [Server Cabinets](#)
    - [Aisle Containments](#)
    - [Data Center Cooling](#)
    - [PDUs / iPDUs](#)
    - [Data Center Monitoring](#)
    - [Cable Management & Accessories](#)
  - [Electronics Cabinets](#)
    - [19" Racks & Electronics Cabinets](#)
    - [- Varistar cabinet configurator](#)
    - [- Novastar cabinet configurator](#)
    - [Ruggedized Electronics Cabinets \(Seismic, MIL\)](#)
    - [EMC Cabinets](#)
    - [Power Distribution Units / Socket Strips](#)
    - [Electronics Cabinet Parts](#)
    - [On Board Racks](#)
    - [Electronic Cabinet Accessories](#)
    - [Outdoor Rack Cabinets](#)
  - [Systems, Backplanes & Power Supplies](#)
    - [AdvancedTCA Systems](#)
    - [CompactPCI Based Systems](#)
    - [PXI & PXI Express systems](#)
    - [MicroTCA Systems](#)
    - [VME Based Systems - incl VXS VPX](#)
    - [Hardware Platform Management \(Pigeon Point\)](#)
    - [Backplanes](#)
    - [Test Adapter](#)
    - [Power Supplies](#)
  - [Embedded Systems & Cases](#)
    - [Interscale Platform for Single Boards](#)
    - [Interscale Configured Solutions](#)
    - [Embedded CoM System](#)
  - [Subracks, Cases & Front Panels](#)
    - [Subracks and 19" chassis](#)
    - [- Subrack configurator](#)
    - [Rack Mount Cases](#)
    - [Accessories - Subracks and Cases](#)
    - [Front Panels, Plug-in Units and Cassettes](#)
    - [- Front panel configurator](#)
    - [Mounting Hardware](#)
    - [Small Form Factor Cases](#)
  - [PCB Accessories / Retainers](#)
    - [PCB Accessories](#)
    - [PCB Wedge Loks / Card Loks](#)
    - [- Wedge Lok configurator](#)
    - [PCB Tainers / Guides](#)
    - [PCB Inserters / Extractors](#)
    - [Conduction Cooled Assemblies / Heat Frames](#)

- [Applications](#)
  - [Laboratory Environment](#)
  - [Shock / Vibration](#)
  - [Transportation \(Mobile\)](#)
  - [Ruggedized / MIL \(seismic\)](#)
  - [Communications / Data Center-IT](#)
- [Industries](#)
  - [Electronic Test Equipment](#)
  - [Medical / Laboratory](#)
  - [Security / Defense](#)
  - [Communications / Data Center-IT](#)
- [Configurators](#)
  - [Varistar cabinet configurator](#)
  - [Novastar cabinet configurator](#)
  - [Subrack configurator](#)
  - [Front panel configurator](#)
  - [Wedge Lok configurator](#)
  - [All configurators](#)

Products ▾

Search in

- [Products](#)
- [Applications](#)
- [Industries](#)
- [Configurators](#)
- [All Categories](#)

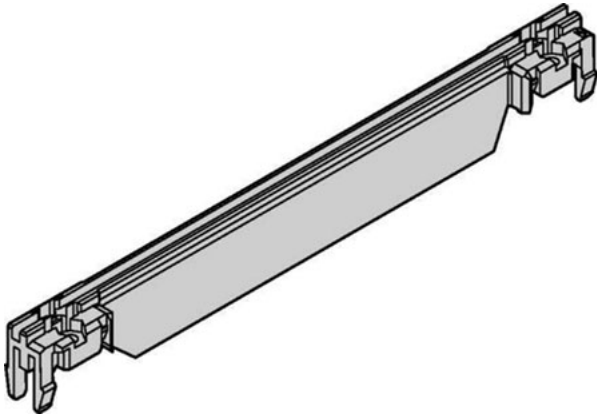
Search

Suggested site content and search history menu Search

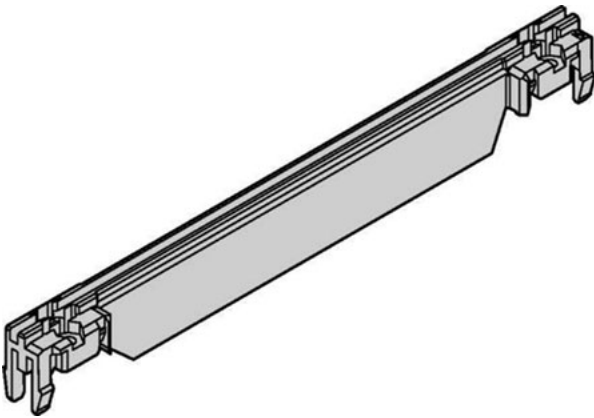
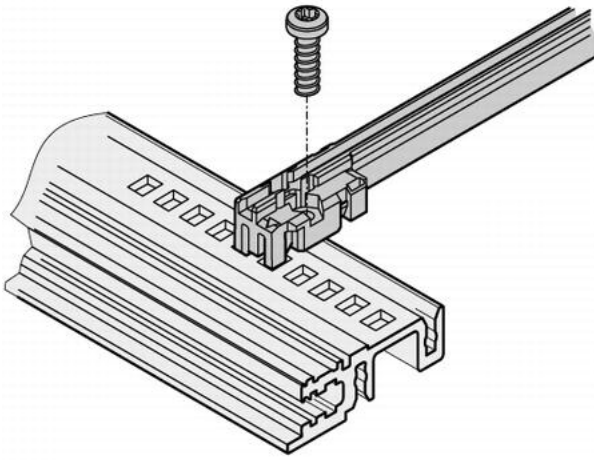
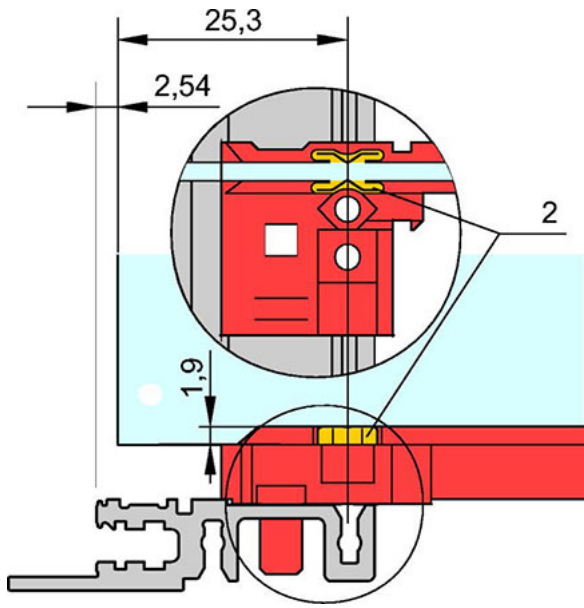
- [Home](#)>
- [Guide rails, accessories, 160 mm deep](#)

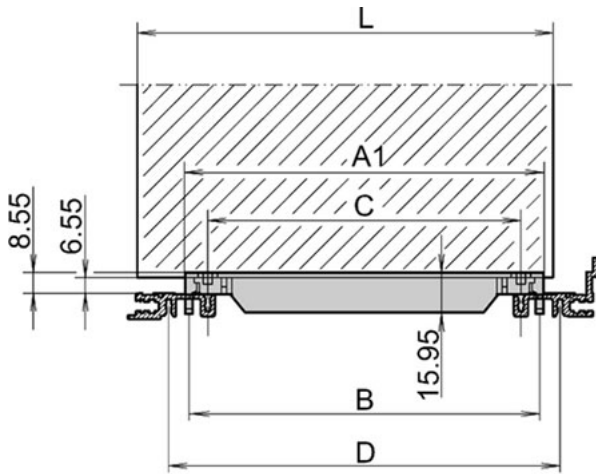
## Guide rails, accessories, 160 mm deep

**SCHROFF**



Other Views





Catalog Number: 64560-076

[Back To Product](#)

- Plastic guide rail, one piece, red, for 2 mm groove width
- Storage temperature: from -40 °C ... 130 °C
- Can be clipped into horizontal rails in A1 extrusion; Can be clipped into 1.5 mm thick plate

**Product family:**

- EuropacPRO
- RatiopacPRO
- PropacPRO
- CompacPRO

**Type:**

Individual Components

**Individual Component Type:**

Guide Rails & Accessories

**Standard pack quantity (SPQ):**

Please take into consideration that deliveries may be carried out in the stated SPQs (SPQ, e.g. 5 pieces, 10 pieces, 50 pieces, etc.). Differing order quantities (e.g. 2 pieces) may be changed to the next possible delivery quantity = Standard Pack Quantity.

Select product specifications before modifying or adding to project list or requesting a quote.

Quantity

50 ▾

Board Length mm

160 ▾

Color

Red ▾

[Clear Selection](#)

\* Country / Region

United States ▾

Quantity

[Add Item to Project List](#)

[Get Price and Availability](#)

Documents



[Main Catalog - EuropacPRO](#)



[Main Catalog - RatiopacPRO](#)



[Main Catalog - PropacPRO](#)



[Main Catalog - CompacPRO](#)

Links



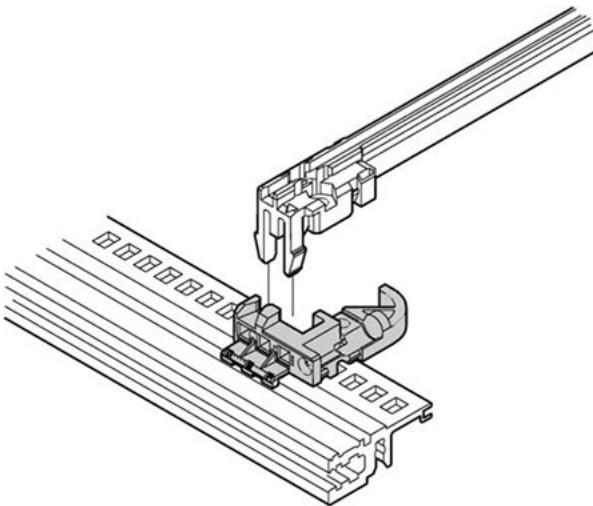
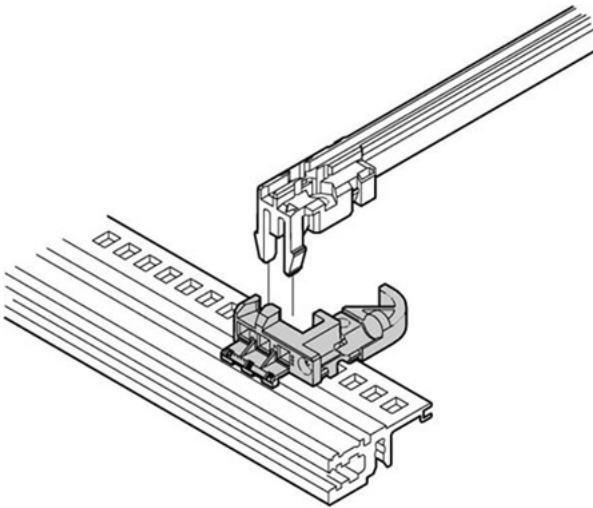
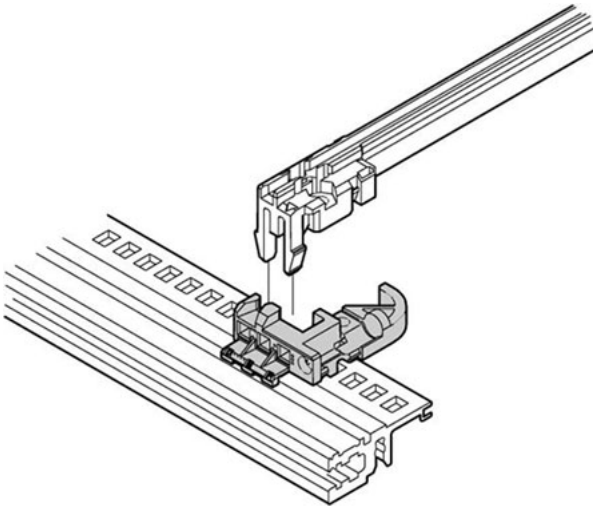
[Native CAD files](#)

## Technical Data

Qty	1 piece (SPQ 50)
Delivery is exclusively made in Standard Pack Quantity (SPQ)	50
Color	red
Board length [mm]	160.0
Groove width	2.0
Description	board without front panel, accessories

## Accessories

### Item

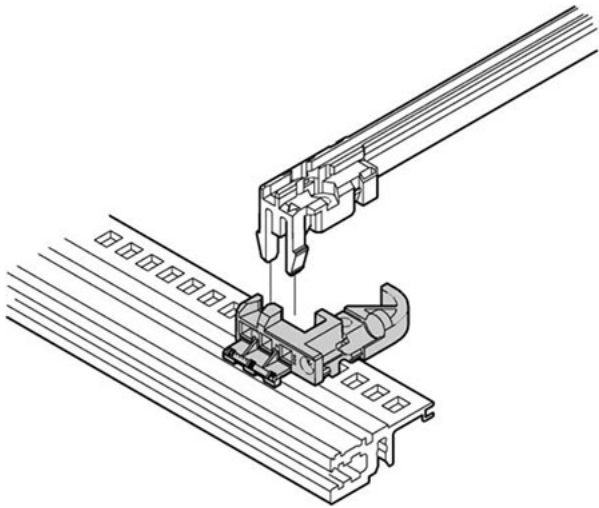


[Keying/coding block for horizontal rail accessories, at bottom, grey, 50 pieces](#)

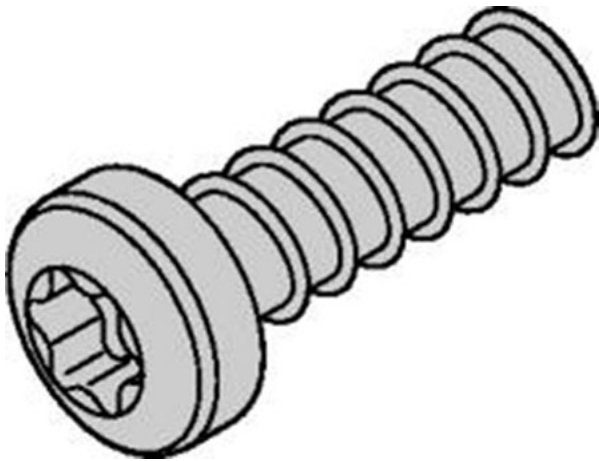
[Keying/coding block for horizontal rail accessories, at bottom, red, 50 pieces](#)

[Keying/coding block for horizontal rail accessories, top, grey, 50 pieces](#)

[Keying/coding block for horizontal rail](#)

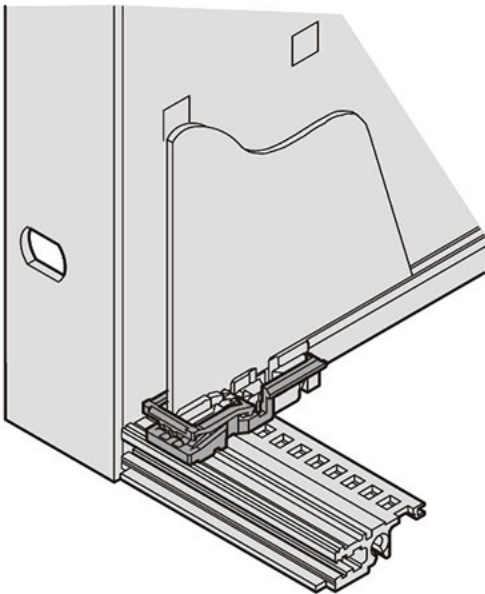
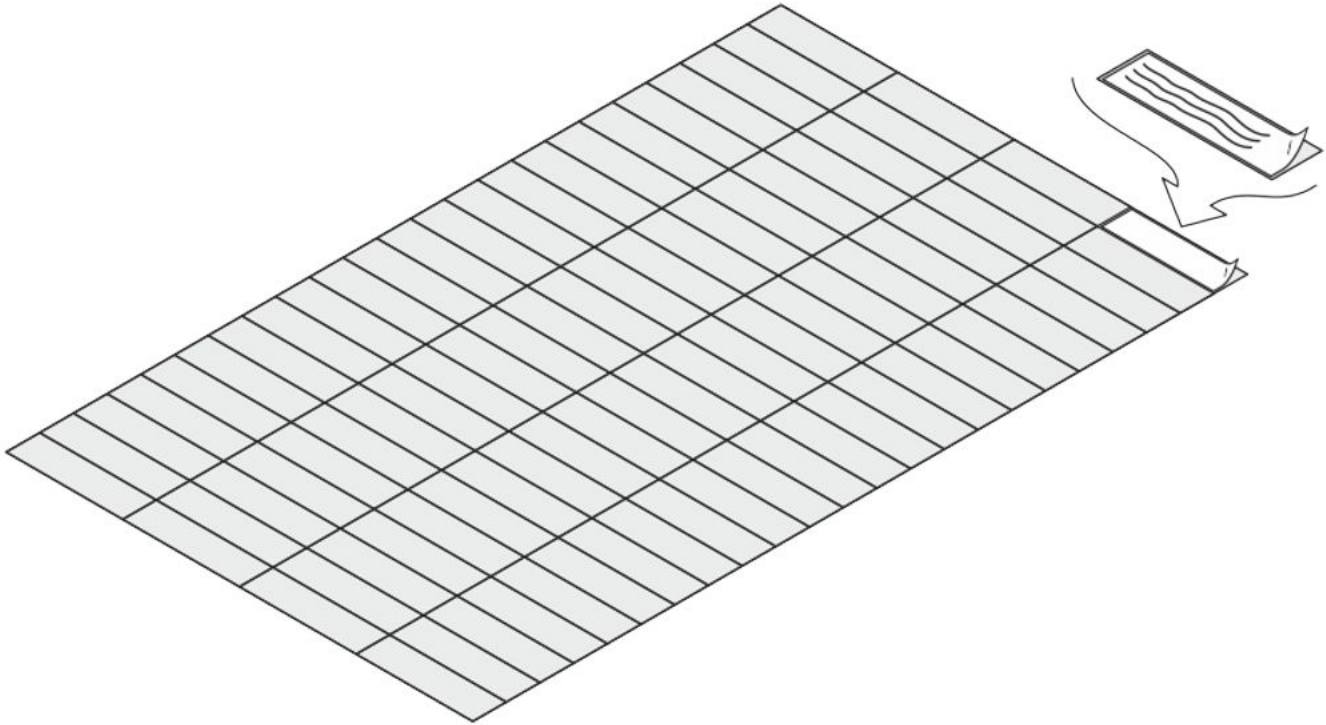


[accessories,  
top, red, 50  
pieces](#)

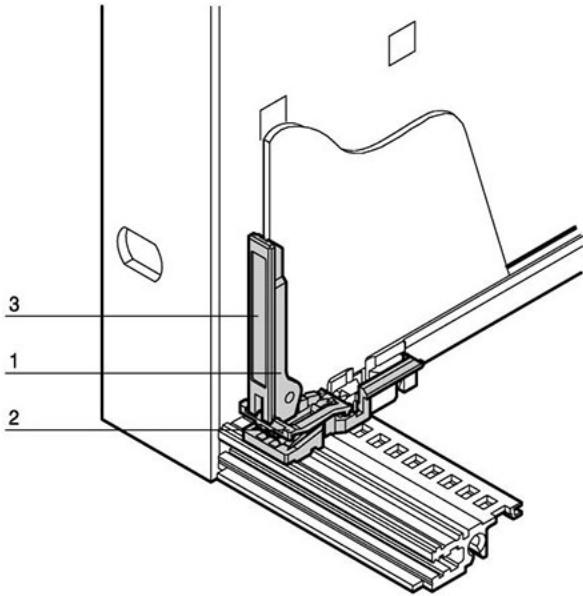


[Panhead  
screw, Torx  
\(2.5x9.3\), self-  
tapping, steel  
zinc plated,  
PU 100 pcs](#)

[Label strips, 1  
sheet \(438  
pieces\)](#)



[PCB retainer](#)  
[PBT, UL 94](#)  
[V-0, red, PU](#)  
[10 pieces](#)



## Explore

- [About Us](#)
- [Services & Capabilities](#)
- [News & Events](#)
- [Newsletter Subscriptions](#)
- [Strategic Partnerships](#)
- [Investor Relations](#)

## Contact

- [Customer Service](#)
- [Find a Sales Office or Distributor](#)
- [Global Locations](#)
- [Product Compliance & Certifications](#)
- [Partner Login](#)

## Download

- [Download Center](#)
- [Reference Projects](#)
- [Videos](#)
- [Product Configurators](#)
- [Warranties and Terms of Sale & Procurement](#)

© 2020 nVent. All rights reserved | [Privacy Policy](#) | [Terms of Use](#) | [Cookie Policy](#) | [Imprint](#) | [Site Map](#)

Connect With Us

