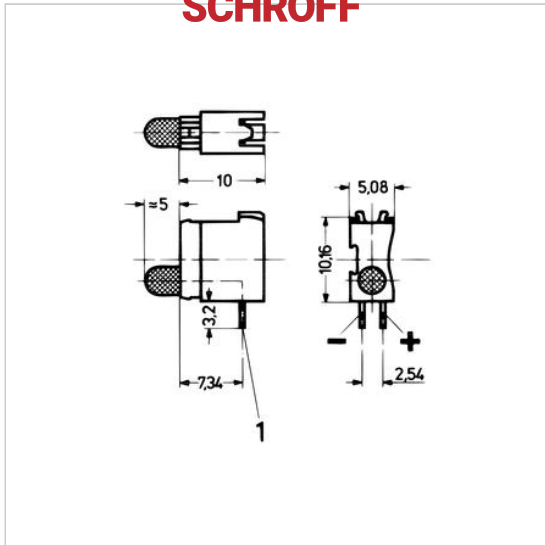



SCHROFF

SCHROFF

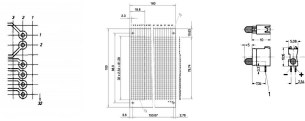
Single LED, short type, \varnothing 3.2 mm

Catalog Number: 69004-122

- Short type for mounting plane 1



Other Views



Description

Note:

- Required front panel drill hole: \varnothing 4 mm
- Dimensions of connecting pins: 0.5 × 0.5 mm

Type:

LED

LED:

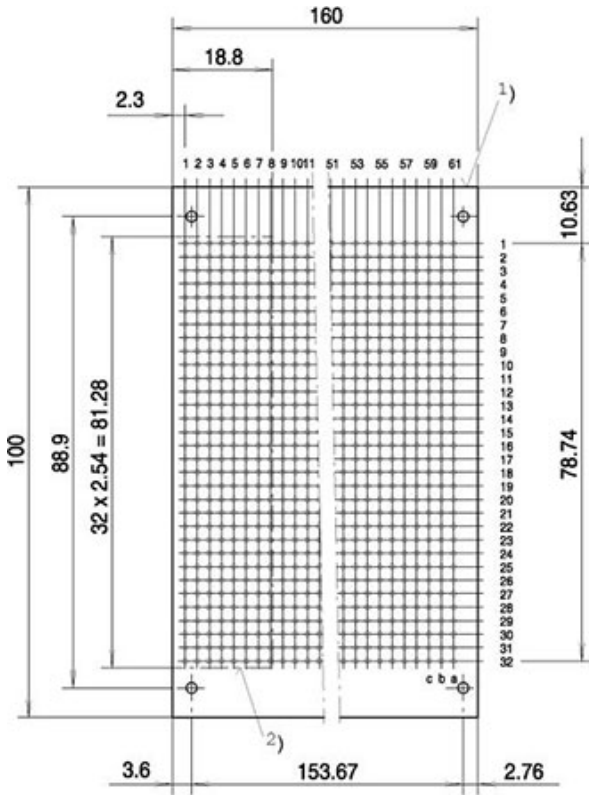
- Single LED, short
- Standard LED

Color:

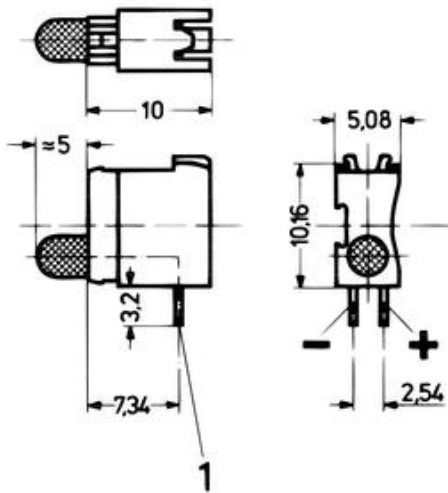
green

We use cookies to personalize content and ads, to provide social media features and to analyze our traffic. We also share information about your use of our site with our social media, advertising and analytics partners. [Cookie Policy](#)

[> Cookie Settings](#)
[✓ Accept Cookies](#)



Component side euroboard



1 = mounting plane

We use cookies to personalize content and ads, to provide social media features and to analyze our traffic. We also share information about your use of our site with our social media, advertising and analytics partners. [Cookie Policy](#)

> [Cookie Settings](#)

✓ [Accept Cookies](#)

Technical Data

Catalog Number	69004-122
Color	green
Configuration	Mounting plane 1

Technical Data

Operating temperatures [°C]	-55 ... +100 °C
Absolute maximum data, Ta = 25 °C	standard LED
Reverse voltage [V]	5
On-state current [mA]	25
Power dissipation [mW]	100
Forward current [mA] (t < 10 µs)	100
Forward Voltage [V] type (10 mA/2 mA)	2.1
Forward voltage [V] max. (10 mA/2mA)	3
Luminous intensity [mcd] at 10 mA	3.2
Luminous intensity [mcd] at 20 mA	6.4
Wavelength [nm] (10 mA/2 mA)	565
Thermal resistance [°C/W]	400
Angle of reflected beam	± 50°
Storage temperature [°C]	-55 ... +100 °C
Solder temperature [°C]	260 °C/max. 5 sec (processing advice for wave soldering: protect plastic body against solder wave)
Insulating body	PBT (Crastin)
Flammability of insulation body	UL 94 V-0

We use cookies to personalize content and ads, to provide social media features and to analyze our traffic. We also share information about your use of our site with our social media, advertising and analytics partners. [Cookie Policy](#)

[> Cookie Settings](#)

[✓ Accept Cookies](#)

Documents



Main Catalog - Front panel component systems

We use cookies to personalize content and ads, to provide social media features and to analyze our traffic. We also share information about your use of our site with our social media, advertising and analytics partners. [Cookie Policy](#)

[> Cookie Settings](#)

[✓ Accept Cookies](#)

No accessories available.

We use cookies to personalize content and ads, to provide social media features and to analyze our traffic. We also share information about your use of our site with our social media, advertising and analytics partners. [Cookie Policy](#)

[> Cookie Settings](#)

[✓ Accept Cookies](#)