

1513472-5 ✓ ACTIVE

TE Internal #: 1513472-5

Antenna, ZigBee / WLAN / Bluetooth, Cable Assembly, u.fl, Cable

Length 360 mm [14.173 in]

[View on TE.com >](#)



Antennas



Wireless Application: **Bluetooth, Wi-Fi, WLAN, ZigBee**

Antenna Connection Type: **Cable Assembly**

Antenna Connector Type: **u.fl**

Cable Length: **360 mm [14.173 in]**

Application by Region: **Bluetooth - Global - 2400 – 2483.5 MHz, Wi-Fi - Global - 2400 – 2483.5 MHz, Wi-Fi - Global by Channel - 5150 – 5875 MHz, WLAN - Global - 2400 – 2483.5 MHz, WLAN - Global by Channel - 5150 – 5875 MHz, ZigBee - Global - 2400 – 2483.5 MHz**

Features

Product Type Features

Antenna Connection Type	Cable Assembly
Antenna Connector Type	u.fl

Configuration Features

Band Type	Dual Band
Antenna Protocol	ISM / ZB / BT WIFI, WLAN, Wi-Fi
Number of Ports	1
Antenna Style	External
Antenna Type	Stamped

Electrical Characteristics

VSWR (Max)	<3:1
Impedance	50 Ω
Active Antenna	No

Signal Characteristics

--	--



Frequency Band	2400 – 2483.5 MHz, 5150 – 5875 MHz
----------------	------------------------------------

Gain (Max)	3 dB
------------	------

Body Features

Product Weight	4 g[.141 oz]
----------------	--------------

Mechanical Attachment

Region	Global
--------	--------

Polarization	Linear
--------------	--------

Dimensions

Cable Length	360 mm[14.173 in]
--------------	-------------------

Product Length	29 mm[1.14 in]
----------------	----------------

Product Width	12 mm[.472 in]
---------------	----------------

Product Height	10 mm[.394 in]
----------------	----------------

Usage Conditions

Application by Region	Bluetooth - Global - 2400 – 2483.5 MHz, Wi-Fi - Global - 2400 – 2483.5 MHz, Wi-Fi - Global by Channel - 5150 – 5875 MHz, WLAN - Global - 2400 – 2483.5 MHz, WLAN - Global by Channel - 5150 – 5875 MHz, ZigBee - Global - 2400 – 2483.5 MHz
-----------------------	---

Operation/Application

Wireless Standard	802.11 a/b/g/n, Bluetooth & ZigBee
-------------------	------------------------------------

Industry Standards

Wireless Application	Bluetooth, Wi-Fi, WLAN, ZigBee
----------------------	--------------------------------

Packaging Features

Packaging Method	Bag/Box
------------------	---------

Other

Precision Level	Standard
-----------------	----------

Product Compliance

[For compliance documentation, visit the product page on TE.com>](#)

EU RoHS Directive 2011/65/EU	Compliant
------------------------------	-----------

EU ELV Directive 2000/53/EC	Compliant
-----------------------------	-----------

China RoHS 2 Directive MIIT Order No 32, 2016	No Restricted Materials Above Threshold
---	---

EU REACH Regulation (EC) No. 1907/2006

Current ECHA Candidate List: JUN 2020 (209)

Candidate List Declared Against: JUN 2020 (209)

Does not contain REACH SVHC

Halogen Content

Not Low Halogen - contains Br or Cl > 900 ppm.

Solder Process Capability

Not applicable for solder process capability

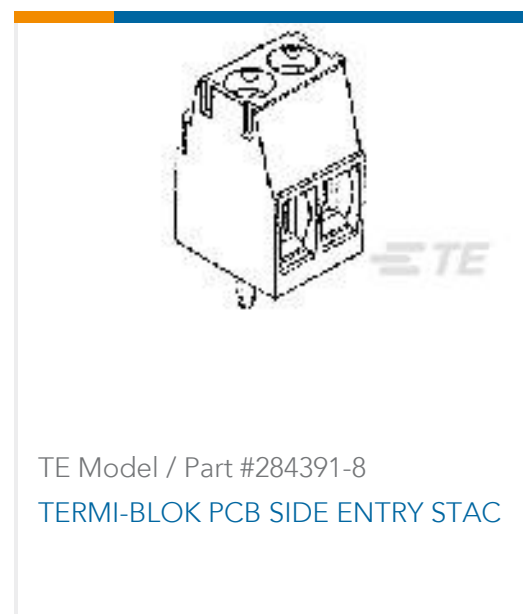
Product Compliance Disclaimer

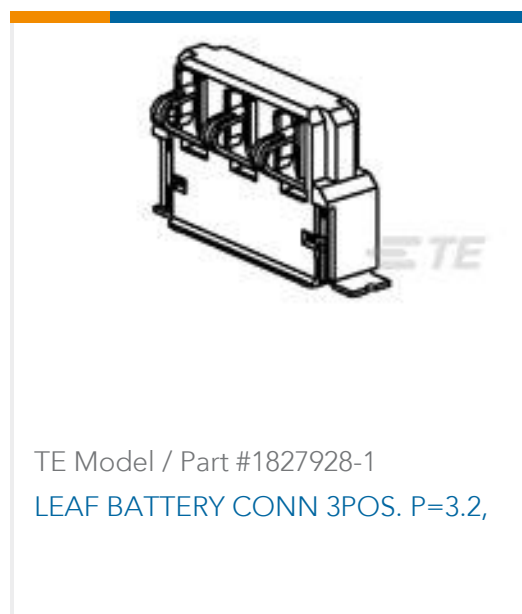
This information is provided based on reasonable inquiry of our suppliers and represents our current actual knowledge based on the information they provided. This information is subject to change. The part numbers that TE has identified as EU RoHS compliant have a maximum concentration of 0.1% by weight in homogenous materials for lead, hexavalent chromium, mercury, PBB, PBDE, DBP, BBP, DEHP, DIBP, and 0.01% for cadmium, or qualify for an exemption to these limits as defined in the Annexes of Directive 2011/65/EU (RoHS2). Finished electrical and electronic equipment products will be CE marked as required by Directive 2011/65/EU. Components may not be CE marked. Additionally, the part numbers that TE has identified as EU ELV compliant have a maximum concentration of 0.1% by weight in homogenous materials for lead, hexavalent chromium, and mercury, and 0.01% for cadmium, or qualify for an exemption to these limits as defined in the Annexes of Directive 2000/53/EC (ELV). Regarding the REACH Regulation, the information TE provides on SVHC in articles for this part number is based on the latest European Chemicals Agency (ECHA) 'Guidance on requirements for substances in articles' posted at this URL: <https://echa.europa.eu/guidance-documents/guidance-on-reach>

Compatible Parts



Customers Also Bought





Documents

Product Drawings

[UAM Assembly 360mm cable](#)

English

CAD Files

[3D PDF](#)

3D

Customer View Model

[ENG_CVM_CVM_1513472-5_G.2d_dxf.zip](#)

English

Customer View Model

[ENG_CVM_CVM_1513472-5_G.3d_igs.zip](#)

English

Customer View Model

[ENG_CVM_CVM_1513472-5_G.3d_stp.zip](#)

English

By downloading the CAD file I accept and agree to the [Terms and Conditions](#) of use.

Datasheets & Catalog Pages

[UAM Antenna](#)

English

Product Environmental Compliance

[MD_1513472-5_05202016120_dmtec](#)

English

[MD_1513472-5_05202016120_dmtec](#)

English

1513472-5

Antenna, ZigBee / WLAN / Bluetooth, Cable Assembly, u.fl, Cable Length 360 mm
[14.173 in]

