

# DUAL-GTX1660S-O6G-EVO

**2x Fans. 2x Fun.**

## ASUS Exclusive Innovations

- **The GeForce GTX 1660 SUPER** is up to 20% faster than the original GTX 1660 and up to 1.5X faster than the previous-generation GTX 1060 6GB. Powered by the award-winning NVIDIA Turing™ architecture and ultra-fast GDDR6 memory, it's a supercharger for today's most popular games. Time to gear up and get SUPER.
- **Ultra-fast GDDR6** with over 50% more memory bandwidth for high-speed gaming.
- **GeForce Experience:** Capture and share videos, screenshots, and livestreams with friends. Keep your drivers up-to-date and optimize game settings. GeForce Experience lets you do it all, making it the essential companion to your GeForce graphics card.

### ■ Axial-tech Fans

Longer fan blades and a unique barrier ring increase air pressure.



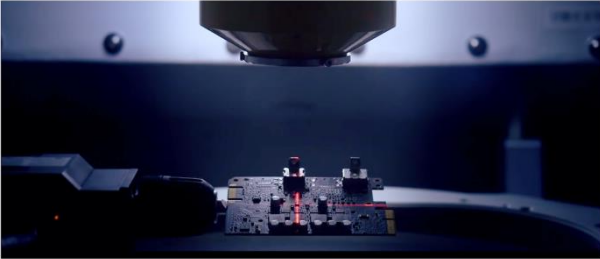
### ■ Protective Backplate

A rigid backplate prevents PCB flex and trace damage.



■ **Auto-Extreme Technology**

An automated manufacturing process that enhances reliability.



■ **Subtle Lighting**

The shroud features a subtle illuminated strip that creates a stylish accent for your build.



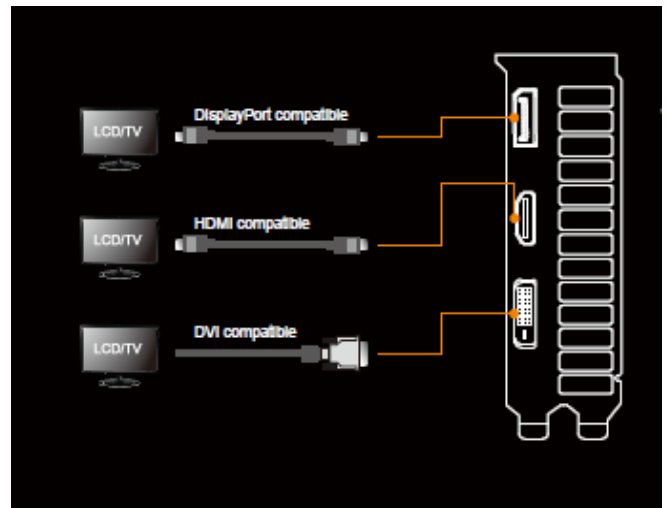
■ **Software Suite**

Tweak performance with GPU Tweak II, stream games with XSplit Gamecaster, get a better connection to game servers with wtfast, and earn passive income with Quantumcloud.



Free 1-year premium XSplit Gamecaster (USD 99.95 /yr). Six-month wtfast premium license\* — a USD\$53.95 value — to let user enjoy online gaming that's free from lag, latency and lost packets.

**I/O Specifications**



## ASUS Features

**OC**  
Edition

- **OC Edition:**  
1860 MHz GPU boost clock in OC mode for outstanding gaming experience

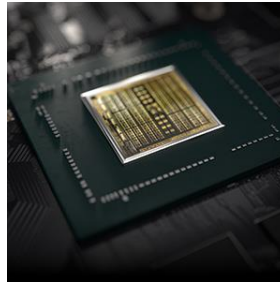
**6** GDDR6  
**GB**  
Memory

- **6GB GDDR6 Memory:**  
On-board memory for the best gaming experience & the best resolution

**0dB** FAN  
Silent Gaming

- **0dB Technology:**  
0dB Technology lets you enjoy light gaming in relative silence.

## GPU Features



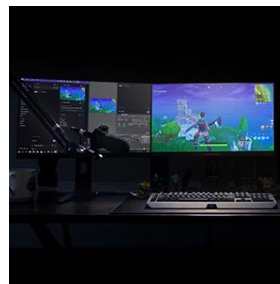
- **TURING SHADERS:**  
Featuring concurrent execution of floating point and integer operations, adaptive shading technology, and a new unified memory architecture with twice the cache of its predecessor, Turing shaders enable awesome performance increases in today's games. Get 1.4X power efficiency over the previous generation for a faster, cooler, and quieter gaming experience.



- **NVIDIA® STUDIO:**  
Create without compromise. Studio combines NVIDIA GeForce GPUs with exclusive NVIDIA Studio Drivers designed to supercharge creative applications. Unlock dramatic performance and reliability—so you can create at the speed of imagination.



- **NVIDIA® Ansel:**  
This powerful tool lets you take professional-grade screenshots of your games. Now, you can record and share your most brilliant gaming experiences with super-resolution, 360-degree, HDR, and stereoscopic capture modes.



- **BROADCAST LIKE A PRO:**  
GeForce GTX® 16 SUPER™ Series features a dedicated hardware encoder that unlocks the ability to game and stream simultaneously with superior quality. SUPER graphics cards are optimized for your favorite streaming apps to provide maximum performance for your live stream.



- **FRAMES WIN GAMES:**  
Battle Royale games demand high FPS. Get the competitive edge you need with GeForce.

## Hardware Specification

Model	DUAL-GTX1660S-O6G-EVO
Graphics Engine	NVIDIA® GeForce® GTX 1660 SUPER™
CUDA cores	1408
OpenGL	OpenGL® 4.6
Engine Clock	OC mode : 1860 MHz (Boost Clock) Gaming mode : 1830 MHz (Boost Clock)/1530 MHz (Base Clock)
Memory Interface	192-bit
Video Memory	6GB GDDR6
Memory Clock	14002 MHz
Power Connector	1x 8 pin
I/O	1x Native HDMI 2.0b 1x Native DisplayPort 1.4 1x DVI-D
HDCP compliant	HDCP 2.2
Digital Max Resolution	7680 x 4320
Maximum Display Support	3
NVLink/ Crossfire Support	N/A
Recommended PSU	450 W
Bus Standard	PCIe 3.0
Package Contents	1x Speedsetup Manual
Software Bundled	ASUS GPU Tweak II & Driver, please download all software from the support site.
Slot	2.7 slot
<b>Dimension</b>	
Card Size (cm/inch)	24.2 x 13.0 x 5.3 cm 9.5 x 5.1 x 2.1 inches
Color Box (mm)	405 x 233 x 88.5 mm
<b>Weight</b>	
Single Card (KG)	0.74
Product Weight (with packing) (KG)	1.57
Note	*All specifications are subject to change without notice. Please check with your supplier for exact offers. Products may not be available in all markets. If you do not use the latest and current specifications of ASUS products, you shall be liable for all loss and damage claimed by third party to ASUS based on false advertising or any other issues caused from using false specifications of ASUS products.

