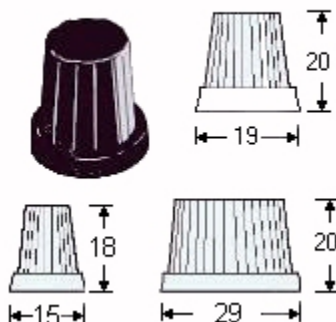


[Home](#)
[Page](#)



P860 KNOBS for POTENTIOMETERS

P860 RANGE



A matt textured, black or brown, ergonomically designed range of knobs with the option of nine different colour caps.

The range covers 4 mm, 6 mm & 6.35 mm ($\frac{1}{4}$ ") diameter spindles, with either 'PUSH-ON FIXING' or 'GRUB SCREW FIXING'.

PUSH-ON FIXING:

P859-02 15 mm diameter body - Matt black - fits 4 mm flatted spindle.

P859-12 15 mm diameter body - Matt brown - fits 4 mm flatted spindle.

P861-01 19 mm diameter body - Matt black - fits 6.35 mm ($\frac{1}{4}$ ") flatted spindle.

P861-03 19 mm diameter body - Matt black - fits 6 mm flatted spindle.

P860-01 29 mm diameter body - Matt black - fits 6.35 mm ($\frac{1}{4}$ ") flatted spindle.

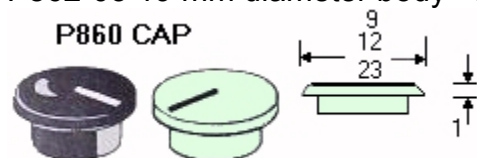
P860-03 29 mm diameter body - Matt black - fits 6 mm flatted spindle.

GRUB SCREW FIXING:

P862-01 19 mm diameter body - Matt black - fits 6.35 mm ($\frac{1}{4}$ ") spindle.

P862-02 19 mm diameter body - Matt black - fits 4 mm spindle.

P862-03 19 mm diameter body - Matt black - fits 6 mm spindle.



COLOURED KNOB CAPS for P860 RANGE:

P864-2 Knob Cap with line for 15 mm diameter knobs.

Z863-2 Knob Cap with line for 19 mm diameter knobs.

P865-2 Knob Cap with line for 29 mm diameter knobs.

Specify colour.

Colour code for Part Number Suffixes:

- 1 Red
- 2 Green
- 3 Yellow/White line
- 4 Blue
- 5 Black
- 6 White
- 7 Grey

8 Yellow/Black line
9 Brown
0 Beige
01 Orange (P864-2 only)

For example: Grey knob cap for 29 mm knob is P865-27



TOP of page.

This information is supplied in good faith but the customer is politely reminded that it is their responsibility to check the suitability of our products for their particular application. Please note that all dimensions are for reference purposes only and, as it is the Company's policy to continuously improve our products, we reserve the right to incorporate changes without notice.

Please complete [Quotation Request Form/Order Form](#) for more information.



KNOBS (complete product range)

Home Page

Omeg Ltd.
Imberhorne Industrial Estate
East Grinstead
West Sussex
RH19 1RJ
UK
Tel. +44(0)1342 410420
Fax. +44(0)1342 316253
sales@omeg.co.uk

Updated 20 May 1999
