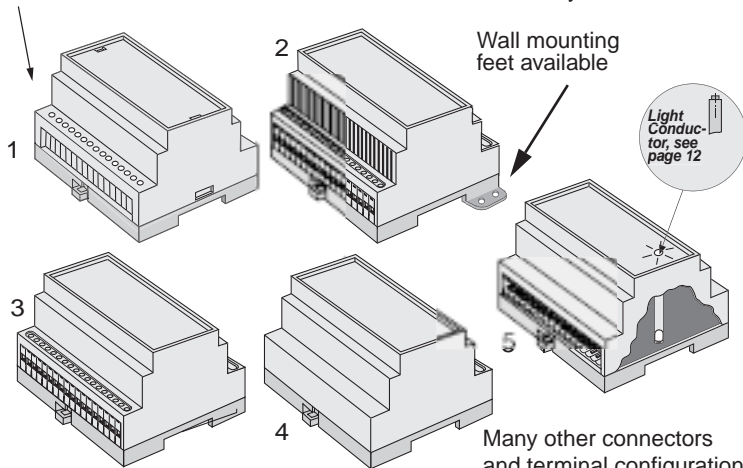


6 MODULE ENCLOSURES FOR M36 DIN-RAIL

SERIES 1050

Version with knock out blanks for individual terminal configuration available



Options:

- * Many other connectors and terminal configurations are available upon request.
- open version for bigger terminals, - no terminal numbers.
- red, grey or infra-red lid. - click in frontpanel.
- hinged lid. - not all versions are available for all sizes.

Many other connectors and terminal configurations are available upon request.

Module enclosure for M36 DIN-rail. Series 1050 is, if requested, available in several colours and with custom made holes in the front.

Lid, PCB, customized label and packing is available. Possibility for both base and top PCB. A closed version without terminals is also available.

Trimmers and spindles that fit the height of the box are available.

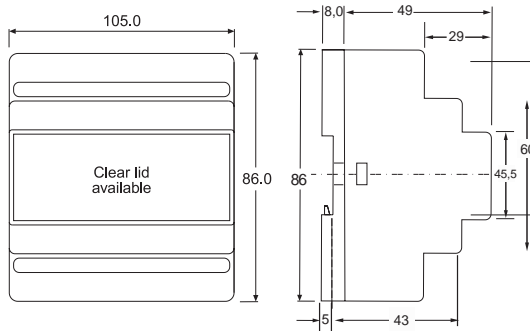
TECHNICAL DATA:

TOP PART:

Material:	Lexan 940
Colour:	Grey (RAL 7035)
Max. temperature:	100°C
Width:	105 mm
	(6 modules)
Label measurement:	41.0 x 100.0 mm
Self-extinguishing:	Acc. to UL94-V0

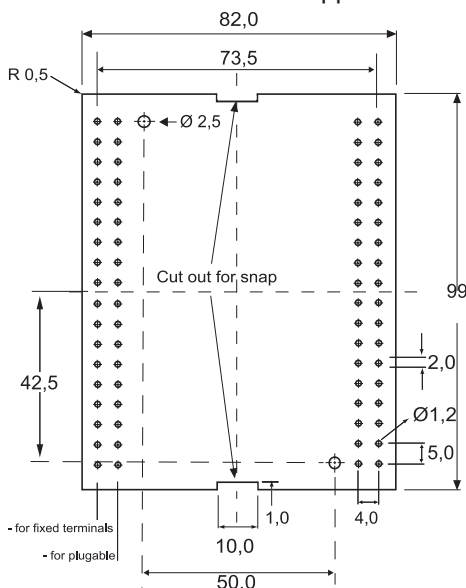
BASE PART:

Material:	Noryl VO 1550
Colour:	Black (RAL 7021)
Max. temperature:	100°C
Max. wire dia.:	2 x 2.5 mm ²
Max. load:	10A (for higher load please enquire)
Terminals:	36 fixed or plugable
Mounting:	DIN-rail (EN50022)
Self-extinguishing:	Acc. to UL94-V0



HORIZONTAL PCB DIMENSIONS

PCB shown from copperside



● All measurements are in mm.

●● Please note that most plugable terminals are in 5,08 pitch and need a bigger hole in the PCB

1050 Series

Product Code	Description
1050-605	Without Terminals
1050-605-T	With Terminals



www.boss-enclosures.co.uk