

MAX33040E/MAX33041E

General Description

The MAX33040E/MAX33041E are +3.3V control area network (CAN) transceivers with integrated protection for industrial applications. These devices have extended $\pm 40\text{V}$ fault protection on CANH and CANL for equipment where overvoltage protection is required. They also incorporate high $\pm 40\text{kV}$ ESD HBM and an input common-mode range (CMR) of $\pm 25\text{V}$ on CANH and CANL, exceeding the ISO 11898-2 CAN standard of -2V to $+7\text{V}$. This makes these parts well suited for applications where there is moderate electrical noise that can influence the ground levels between two nodes or systems. These parts feature a shutdown pin and a multifunction standby pin.

These devices operate at a high-speed CAN data rate, allowing up to 5Mbps on short distance networks. Maximum speed on large networks may be limited by the number of nodes, the type of cabling used, stub length, and other factors. The MAX33040E/MAX33041E include a dominant timeout to prevent bus lockup caused by controller error or by a fault on the TXD input. When TXD remains in the dominant state (low) for longer than t_{DOM} , the driver is switched to the recessive state, releasing the bus and allowing other nodes to communicate. These devices feature a STBY pin for three modes of operation; standby mode for low current consumption, normal high-speed mode, or a slow slew-rate mode when an external $39.2\text{k}\Omega$ resistor is connected between ground and STBY pin.

The MAX33040E is available in an 8-bump WLP and 8-pin SOT23, while the MAX33041E is available in an 8-pin SOIC package. Both parts operate over the -40°C to $+125^{\circ}\text{C}$ temperature range.

Applications

- Industrial Equipment
- Instrumentation
- Motor Control
- Building Automation
- Industrial Drone
- Service and Educational Robot

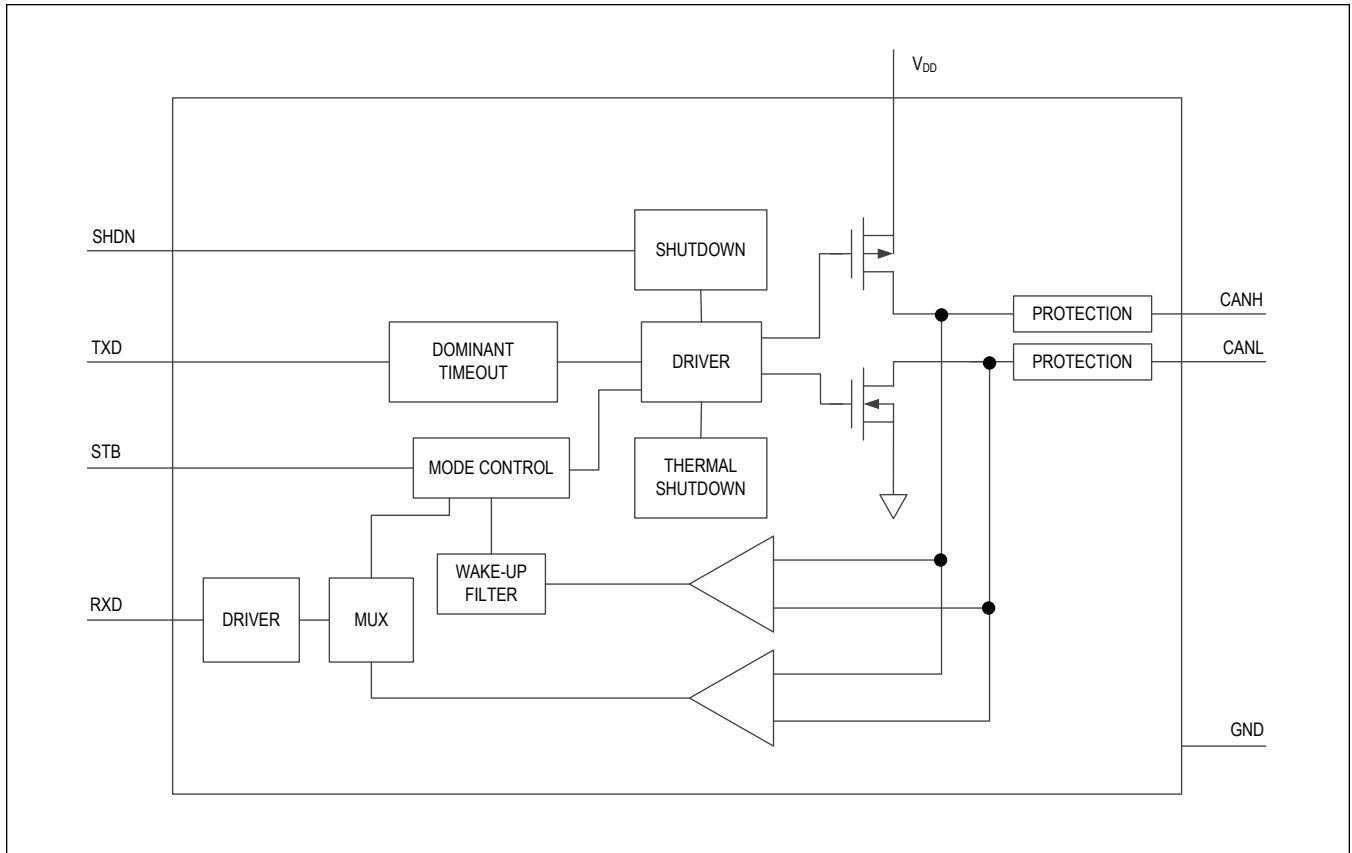
+3.3V, 5Mbps CAN Transceiver with $\pm 40\text{V}$ Fault Protection, $\pm 25\text{V}$ CMR, and $\pm 40\text{kV}$ ESD in 8-Pin SOT23

Benefits and Features

- Integrated Protection Increases Robustness
 - Increased Protection on CANH and CANL
 - $\pm 40\text{V}$ Fault Tolerant
 - $\pm 40\text{kV}$ ESD Human Body Model (HBM) Protection
 - $\pm 25\text{V}$ Extended Common-Mode Input Range (CMR)
 - Short-Circuit Protection
 - Transmitter Dominant Timeout Prevents Lockup
 - Thermal Shutdown
- Family Provides Flexible Design Options
 - Slow Slew Rate to Minimize EMI
 - Low-Current Standby Mode
- Small Package Options to Save PCB Area
 - 8-Bump WLP
 - 8-Pin SOT23
 - 8-Pin SOIC
- High-Speed Operation of up to 5Mbps
- Operating Temperature Range of -40°C to $+125^{\circ}\text{C}$

Ordering Information appears at end of data sheet.

Simplified Block Diagram



MAX33040E/MAX33041E

+3.3V, 5Mbps CAN Transceiver with
±40V Fault Protection, ±25V CMR,
and ±40kV ESD in 8-Pin SOT23

Absolute Maximum Ratings

V _{DD}	-0.3V to +4.0V	Continuous Power Dissipation (SOIC)	
CANH or CANL (Continuous).....	-40V to +40V	Multilayer Board (T _A = +70°C, derate 7.4mW/°C above +70°C.).....	588.2mW
TXD, STBY, SHDN.....	-0.3V to +4.0V	Operating Temperature Range.....	-40°C to +125°C
RXD.....	-0.3V to +4.0V	Junction Temperature.....	+150°C
Short-Circuit Duration.....	Continuous	Storage Temperature Range.....	-60°C to +150°C
Continuous Power Dissipation (SOT23)		Soldering Temperature (reflow).....	+260°C
Multilayer Board (T _A = +70°C, derate 9.5mW/°C above +70°C.).....	761.9mW	Lead Temperature (soldering, 10sec).....	+300°C

Stresses beyond those listed under "Absolute Maximum Ratings" may cause permanent damage to the device. These are stress ratings only, and functional operation of the device at these or any other conditions beyond those indicated in the operational sections of the specifications is not implied. Exposure to absolute maximum rating conditions for extended periods may affect device reliability.

Package Information

8 WLP

Package Code	W80A1+1
Outline Number	21-1042
Land Pattern Number	See Application Note 1891
Thermal Resistance, Four Layer Board:	
Junction-to-Ambient (θ _{JA})	85°C/W
Junction-to-Case Thermal Resistance (θ _{JC})	N/A

8 SOT23

Package Code	K8CN+2C
Outline Number	21-0078
Land Pattern Number	90-0176
Thermal Resistance, Four Layer Board:	
Junction-to-Ambient (θ _{JA})	105°C/W
Junction-to-Case Thermal Resistance (θ _{JC})	42.3°C/W

8 SOIC

Package Code	S8+2C
Outline Number	21-0041
Land Pattern Number	90-0096
Thermal Resistance, Four-Layer Board:	
Junction-to-Ambient (θ _{JA})	136°C/W
Junction-to-Case Thermal Resistance (θ _{JC})	38°C/W

For the latest package outline information and land patterns (footprints), go to www.maximintegrated.com/packages. Note that a "+", "#", or "-" in the package code indicates RoHS status only. Package drawings may show a different suffix character, but the drawing pertains to the package regardless of RoHS status.

Package thermal resistances were obtained using the method described in JEDEC specification JESD51-7, using a four-layer board. For detailed information on package thermal considerations, refer to www.maximintegrated.com/thermal-tutorial.

Electrical Characteristics

($V_{DD} = 3.0V$ to $3.6V$, $R_{LD} = 60\Omega$, $C_{LD} = 100pF$, $C_L = 15pF$, $T_A = T_{MIN}$ to T_{MAX} , unless otherwise specified. Typical values are at $V_{DD} = 3.3V$ and $T_A = +25^\circ C$, unless otherwise specified. (Note 1))

PARAMETER	SYMBOL	CONDITIONS		MIN	TYP	MAX	UNITS
POWER							
Supply Voltage	V_{DD}			3.0		3.6	V
Dominant Supply Current	I_{DD_DOM}	TXD = SHDN = STBY = 0V, RXD open	No load		4.5	8	mA
			$R_{LD} = 60\Omega$		36	50	
Recessive Supply Current	I_{DD_REC}	$V_{DD} = TXD = 3.3V$, STBY = SHDN = 0V, RXD open	No load		3.6		mA
			$V_{DD} = TXD = 3.3V$, STBY = SHDN = 0V, RXD open	CANH shorted to CANL		3.6	
Shutdown Current	I_{SHDN}	SHDN = STBY = TXD = V_{DD}				5	μA
Standby Supply Current	I_{STBY}	STBY = TXD = V_{DD} , SHDN = 0V, RXD open				60	μA
UVLO Threshold Rising	V_{UVLO_R}	V_{DD} rising				2.7	V
UVLO Threshold Falling	V_{UVLO_F}	V_{DD} falling		1.6			V
FAULT PROTECTION							
ESD Protection (CANH, CANL to GND)		Human Body Model (HBM), JEDEC JS-001-2017			±40		kV
		Air-Gap ISO 10605, IEC 61000-4-2			±15		
		Contact ISO 10605, IEC 61000-4-2			±10		
ESD Protection (All Other Pins)		Human Body Model (HBM)			±4		kV
Fault Protection Range	V_{FP}	CANH or CANL to GND		-40		+40	V
Thermal Shutdown	T_{SHDN}				+160		$^\circ C$
Thermal Shutdown Hysteresis	T_{HYST}				+20		$^\circ C$
LOGIC INTERFACE (RXD, TXD, STBY, SHDN)							
Input High Voltage	V_{IH}			2			V
Input Low Voltage	V_{IL}					0.8	V
TXD Input Pullup Resistance	R_{PU_TXD}	TXD = 0V		100		250	k Ω
STBY Input Pullup Resistance	R_{PU_STBY}	STBY = 0V		100		250	k Ω
Slow Slew Rate Resistor	R_{SLEW_ON}	External resistor size from STBY to ground to enable slow slew rate mode.			39.2		k Ω
SHDN Input Pulldown Resistance	R_{PD_SHDN}	SHDN = V_{DD}		1			M Ω
Output High Voltage	V_{OH}	Sourcing 4mA, TXD = V_{DD}		0.8 x V_{DD}			V
Output Low Voltage	V_{OL}	Sinking 4mA, TXD = 0V				0.4	V

Electrical Characteristics (continued)

($V_{DD} = 3.0V$ to $3.6V$, $R_{LD} = 60\Omega$, $C_{LD} = 100pF$, $C_L = 15pF$, $T_A = T_{MIN}$ to T_{MAX} , unless otherwise specified. Typical values are at $V_{DD} = 3.3V$ and $T_A = +25^\circ C$, unless otherwise specified. (Note 1))

PARAMETER	SYMBOL	CONDITIONS	MIN	TYP	MAX	UNITS
Input Low Voltage STBY	V_{IL_STBY}				0.2	V
CAN BUS DRIVER						
Bus Output Voltage (Dominant)	V_{O_DOM}	$t < t_{DOM}$, TXD = 0V	CANH	2.25	V_{DD}	V
			CANL	0.5	1.25	
Bus Output Voltage (Recessive)	V_{O_REC}	TXD = V_{DD} , No load	CANH	1	2	V
			CANL	1	2	
Bus Output Differential Voltage (Dominant)	V_{OD_DOM}	TXD = 0V	$R_{CM} = 1K\Omega$, $-5V \leq V_{CM} \leq V_{DD}$, Figure 1	1.5	3	V
			$R_{CM} = \text{open}$	1.5	3	
Output Voltage Standby	V_{O_STBY}	TXD = STBY = V_{DD} , no load	40		120	mV
Bus Output Differential Voltage (Recessive)	V_{OD_REC}	TXD = V_{DD}	$R_{LD} = 60\Omega$	-10	+10	mV
			No load	-50	+50	
Short-Circuit Current	I_{SC_CANH}	TXD = 0V, CANH = -40V		2	5	mA
	I_{SC_CANL}	TXD = 0V, CANL = +40V		2	5	
RECEIVER						
Common-Mode Input Range	V_{CM}	CANH or CANL to GND, RXD output valid	-25		+25	V
Common-Mode Input Range Standby Mode	V_{CM_STBY}	CANH or CANL to GND, RXD output valid	-12		+12	V
Input Differential Voltage (Dominant)	V_{ID_DOM}	$-25V \leq V_{CM} \leq +25V$, TXD = V_{DD}			0.9	V
Input Differential Voltage (Recessive)	V_{ID_REC}	$-25V \leq V_{CM} \leq +25V$, TXD = V_{DD}	0.5			V
Standby Input Differential Voltage (Dominant)	$V_{ID_STBYDOM}$	$-12V \leq V_{CM} \leq +12V$, TXD = V_{DD}			1.15	V
Standby Input Differential Voltage (Recessive)	$V_{ID_STBYREC}$	$-12V \leq V_{CM} \leq +12V$, TXD = V_{DD}	0.45			V
Input Differential Hysteresis	V_{ID_HYS}	$-25V \leq V_{CM} \leq +25V$		90		mV
Input Resistance	R_{IN}	TXD = V_{DD}	10		50	k Ω
Differential Input Resistance	R_{IN_DIFF}	TXD = V_{DD}	20		100	k Ω
Input Capacitance	C_{IN}	TXD = V_{DD} (Note 2)		19	35	pF
Differential Input Capacitance	C_{IN_DIFF}	TXD = V_{DD} (Note 2)		10	18	pF
Input Leakage Current	I_{LKG}	$V_{DD} = 0V$, CANH = CANL = 3.3V		100	220	μA

Electrical Characteristics (continued)

($V_{DD} = 3.0V$ to $3.6V$, $R_{LD} = 60\Omega$, $C_{LD} = 100pF$, $C_L = 15pF$, $T_A = T_{MIN}$ to T_{MAX} , unless otherwise specified. Typical values are at $V_{DD} = 3.3V$ and $T_A = +25^\circ C$, unless otherwise specified. (Note 1))

PARAMETER	SYMBOL	CONDITIONS		MIN	TYP	MAX	UNITS
SWITCHING							
Driver Rise Time	t_R	$R_{CM} = \text{open}$, Figure 1	$V_{STBY} = 0V$		20		ns
			39.2k Ω resistor from STBY to GND		100		
Driver Fall Time	t_F	$R_{CM} = \text{open}$, Figure 1	$V_{STBY} = 0V$		25		ns
			39.2k Ω resistor from STBY to GND		100		
TXD to RXD Loop Delay	t_{LOOP}	STBY = 0V	Dominant-to Recessive, Figure 2		70	140	ns
			Recessive-to- Dominant, Figure 2		90	140	
TXD Propagation Delay (Recessive to Dominant)	t_{ONTXD}	$V_{DD} = 3.3V$, R_{CM} is open, Figure 1			43	60	ns
TXD Propagation Delay (Dominant to Recessive)	t_{OFFTXD}	$V_{DD} = 3.3V$, R_{CM} is open, Figure 1			40	60	ns
RXD Propagation Delay (Recessive to Dominant)	t_{ONRXD}	$V_{DD} = 3.3V$, $C_L = 15pF$, Figure 3			55	85	ns
RXD Propagation Delay (Dominant to Recessive)	t_{OFFRXD}	$V_{DD} = 3.3V$, $C_L = 15pF$, Figure 3			45	85	ns
TXD-Dominant Timeout	t_{DOM}	Figure 4		1.3		4.3	ms
Wake-Up Time	t_{WAKE}	Figure 5			2.3		μs
Standby Propagation Delay (Dominant to Recessive)	t_{PLH_STBY}	STBY = V_{DD} , Figure 5			400		ns
Standby to Normal Mode Delay	t_{D_STBYN}	$C_L = 15pF$, Figure 6			20		μs
Normal to Standby Dominant Delay	t_{D_NSTBY}	$C_L = 15pF$, Figure 6			30		μs
Shutdown to Normal Delay	t_{D_SHDNN}	$C_L = 15pF$, Figure 7			25		μs

Note 1: All units are 100% production tested at $T_A = +25^\circ C$. Specifications over temperature are guaranteed by design.

Note 2: Not production tested. Guaranteed at $T_A = +25^\circ C$.

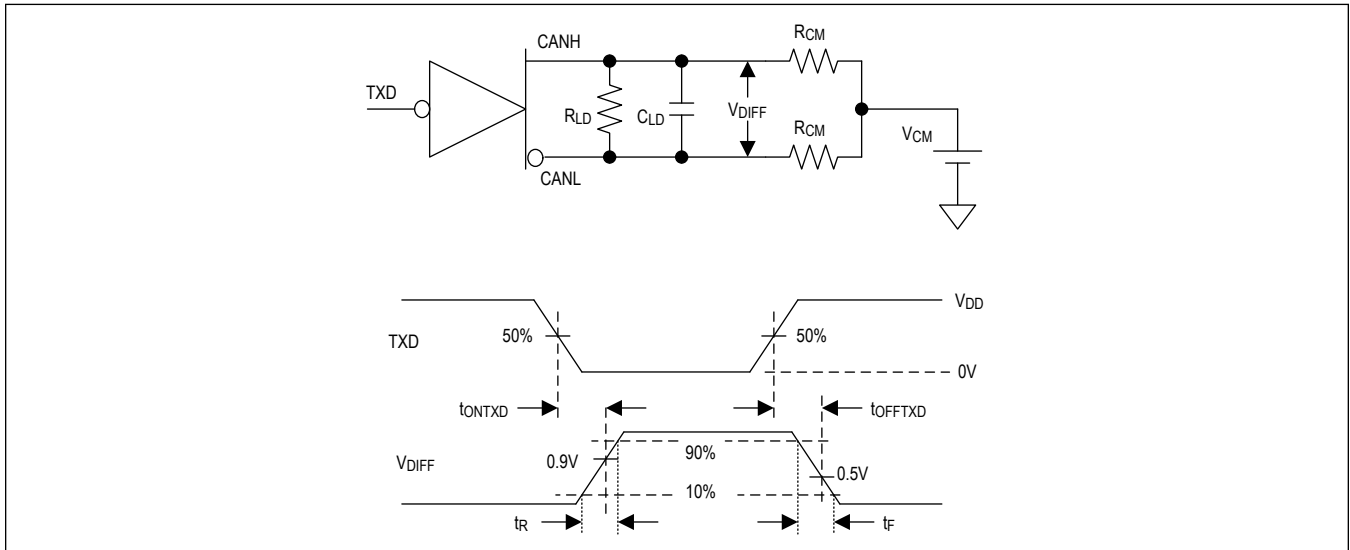


Figure 1. Transmitter Test Circuit and Timing Diagram

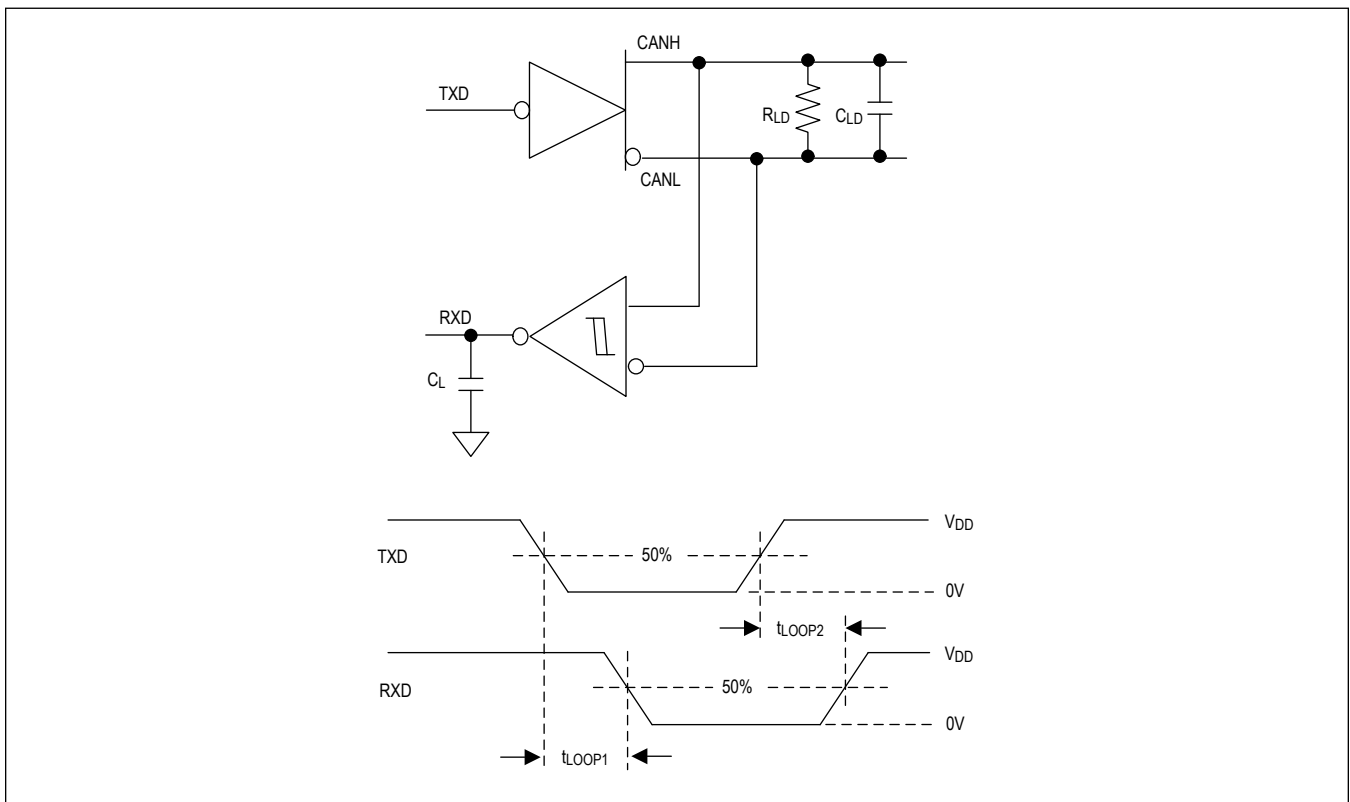


Figure 2. TXD to RXD Loop Delay

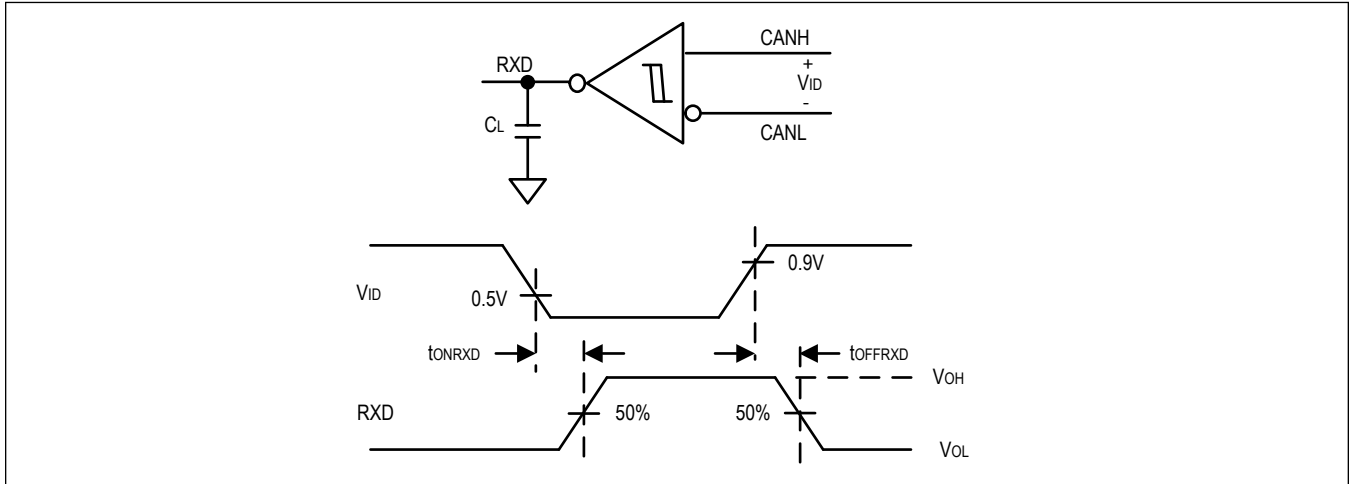


Figure 3. RXD Timing Diagram

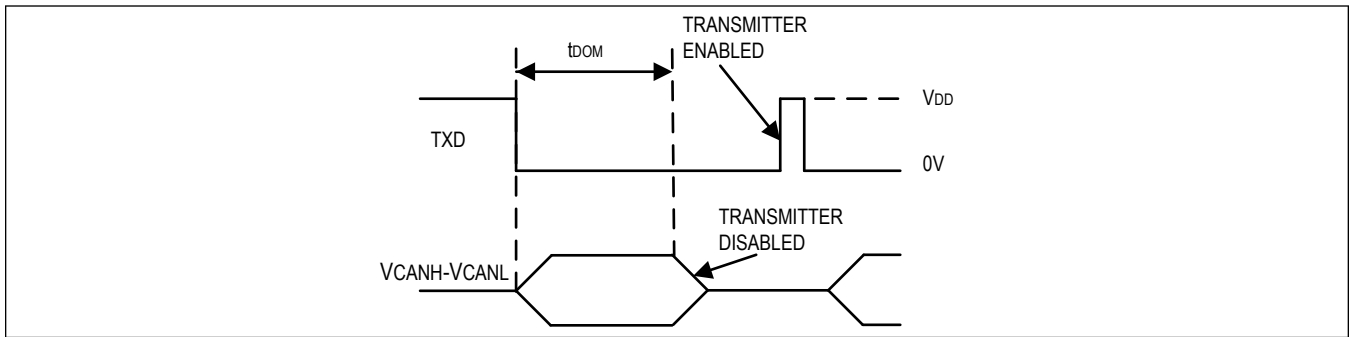


Figure 4. Transmitter-Dominant Timeout Timing Diagram

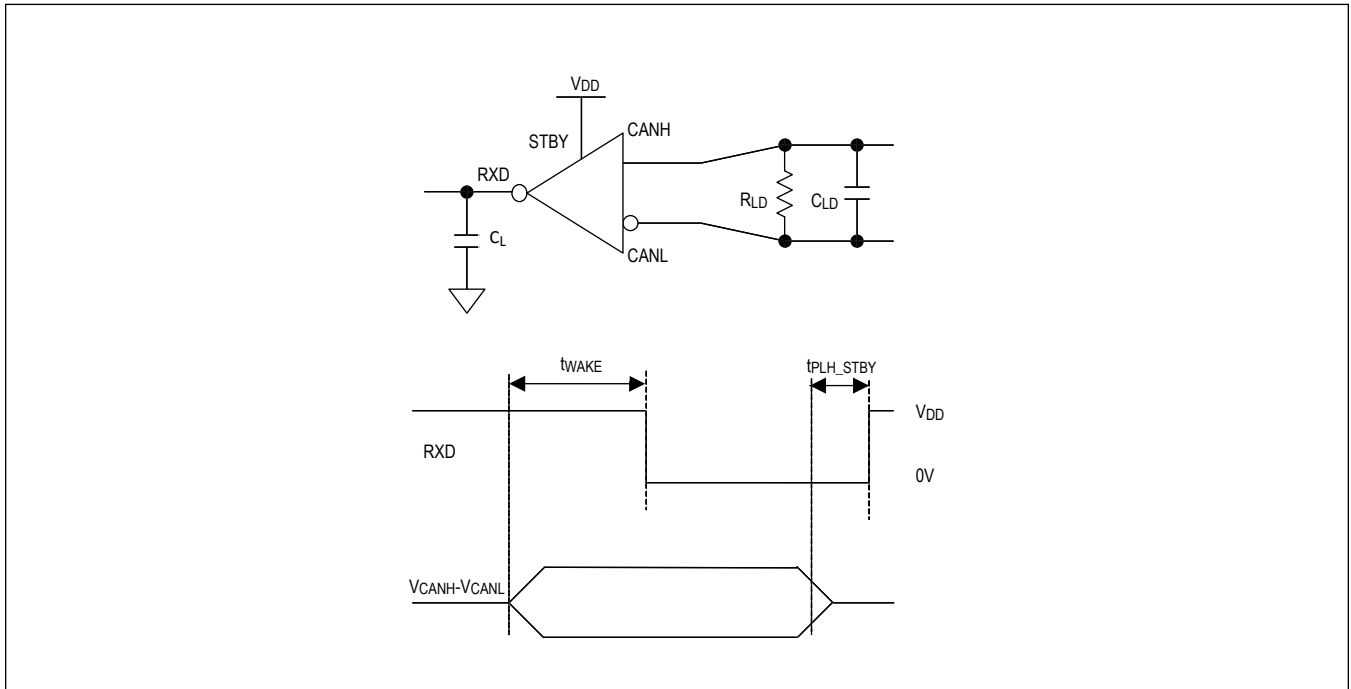


Figure 5. Standby Receiver Propagation Delay

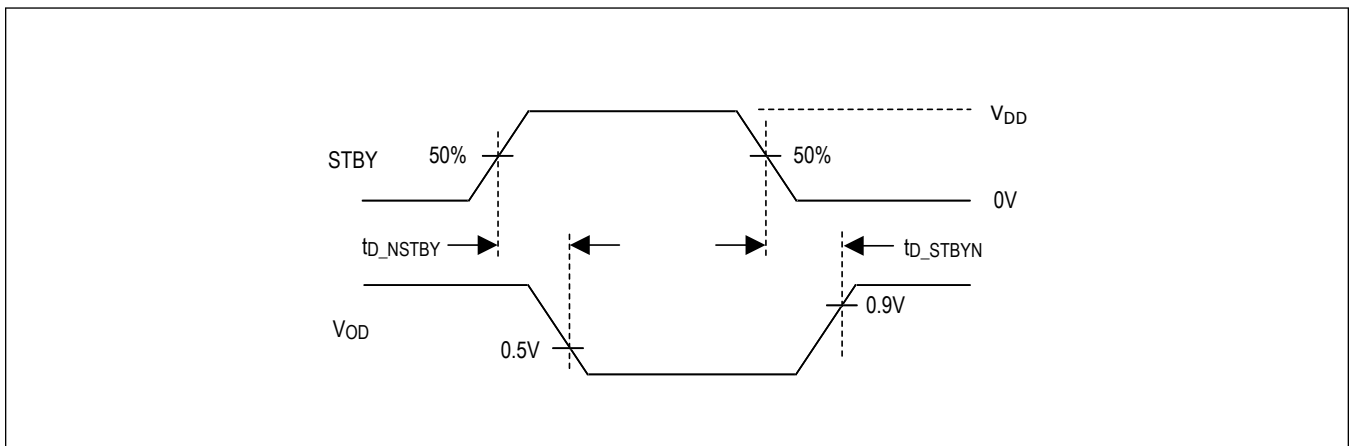


Figure 6. Standby Mode Timing Diagram

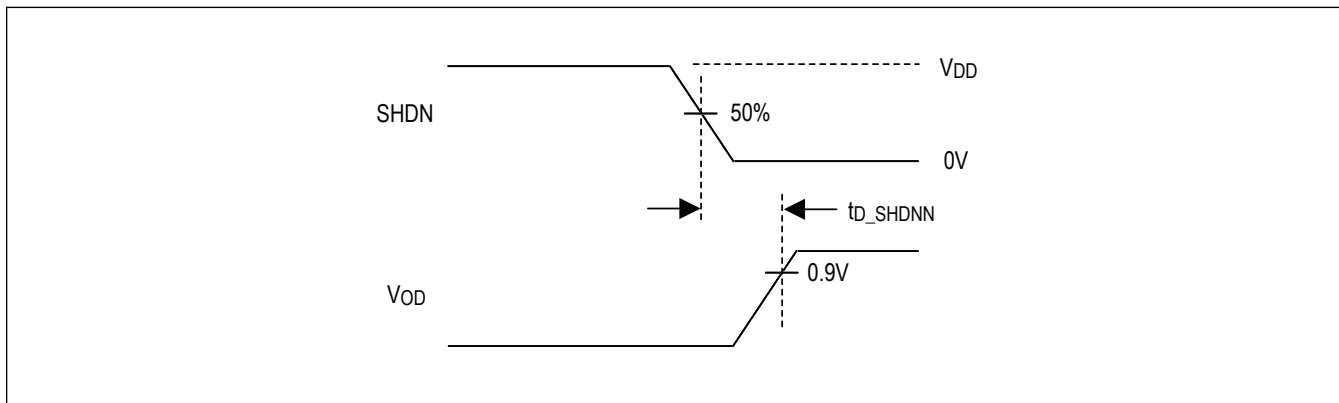
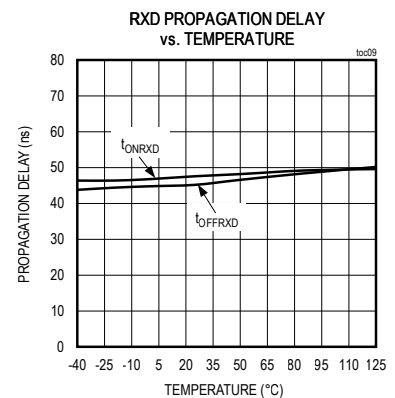
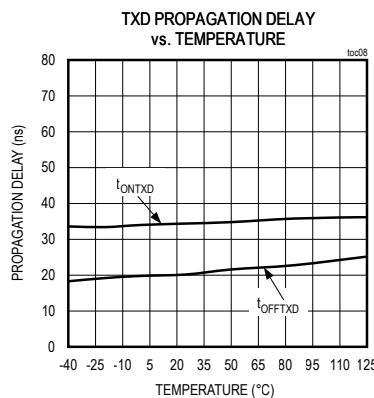
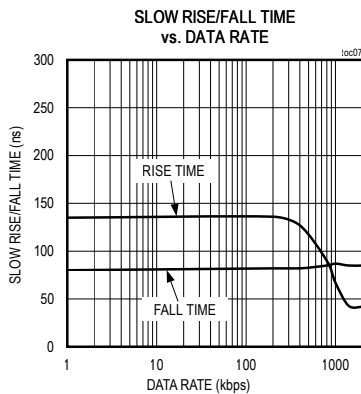
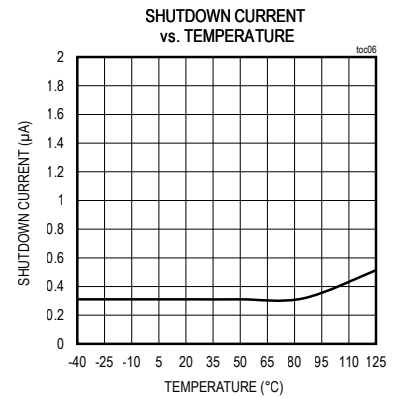
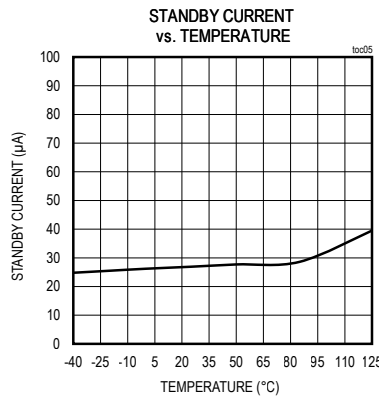
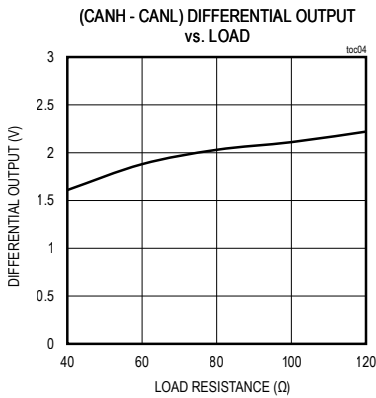
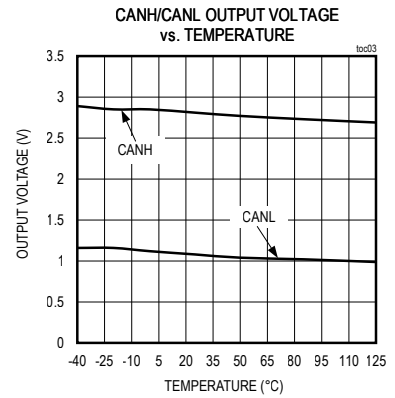
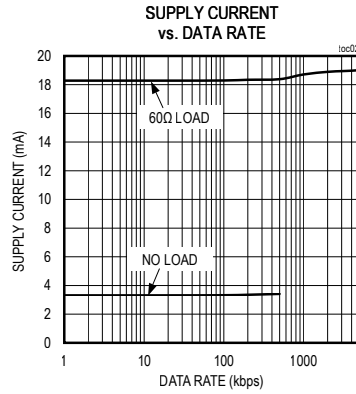
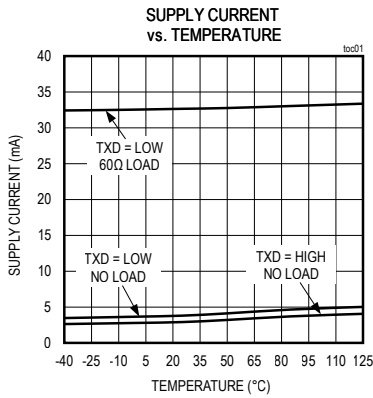


Figure 7. Shutdown Mode Timing Diagram

Typical Operating Characteristics

($V_{DD} = 3.3V$, $R_{LD} = 60\Omega$, $C_{LD} = 100pF$, $C_L = 15pF$, $T_A = +25^\circ C$, unless otherwise noted.)

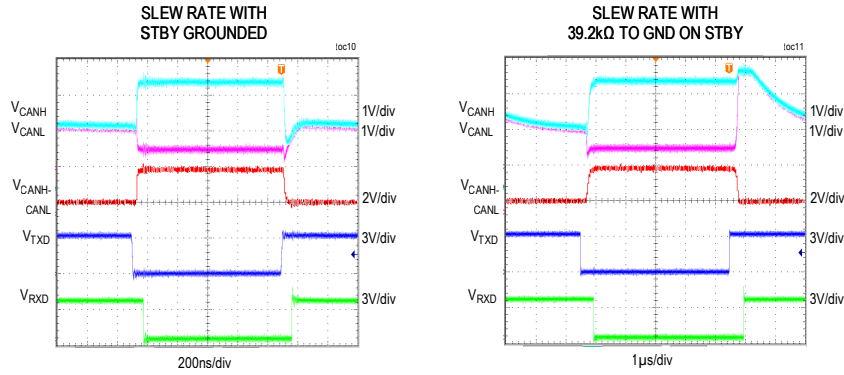


MAX33040E/MAX33041E

+3.3V, 5Mbps CAN Transceiver with
 $\pm 40V$ Fault Protection, $\pm 25V$ CMR,
and $\pm 40kV$ ESD in 8-Pin SOT23

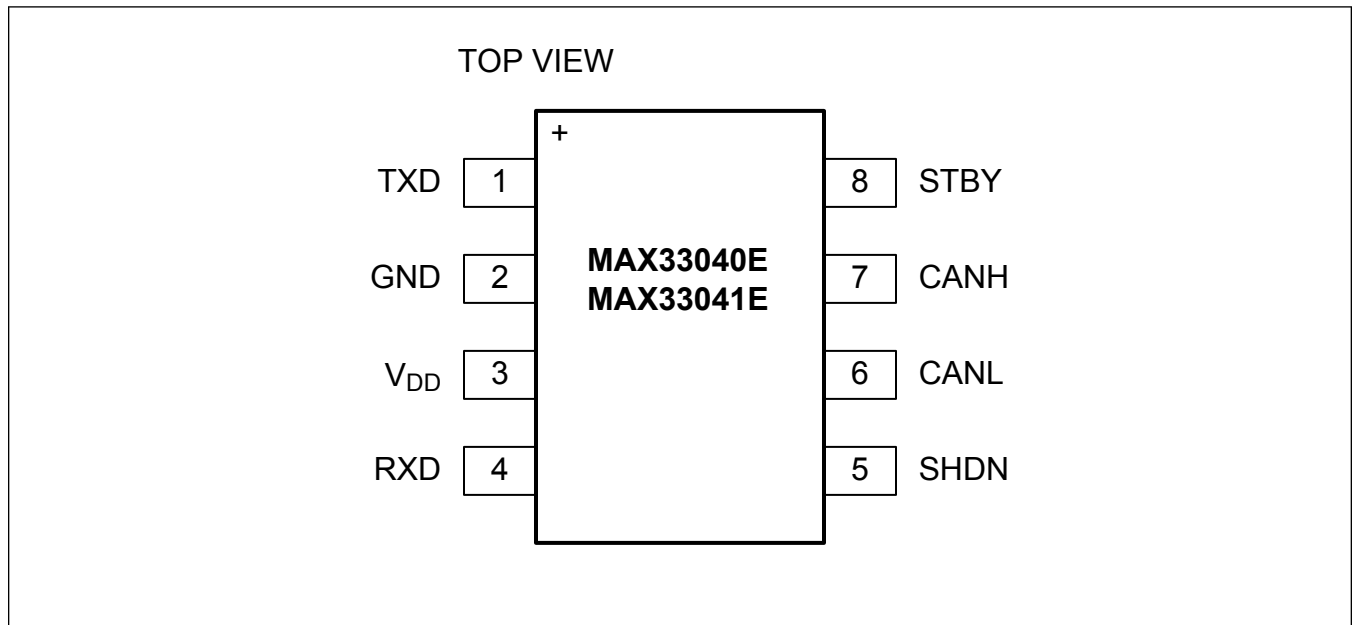
Typical Operating Characteristics (continued)

($V_{DD} = 3.3V$, $R_{LD} = 60\Omega$, $C_{LD} = 100pF$, $C_L = 15pF$, $T_A = +25^\circ C$, unless otherwise noted.)

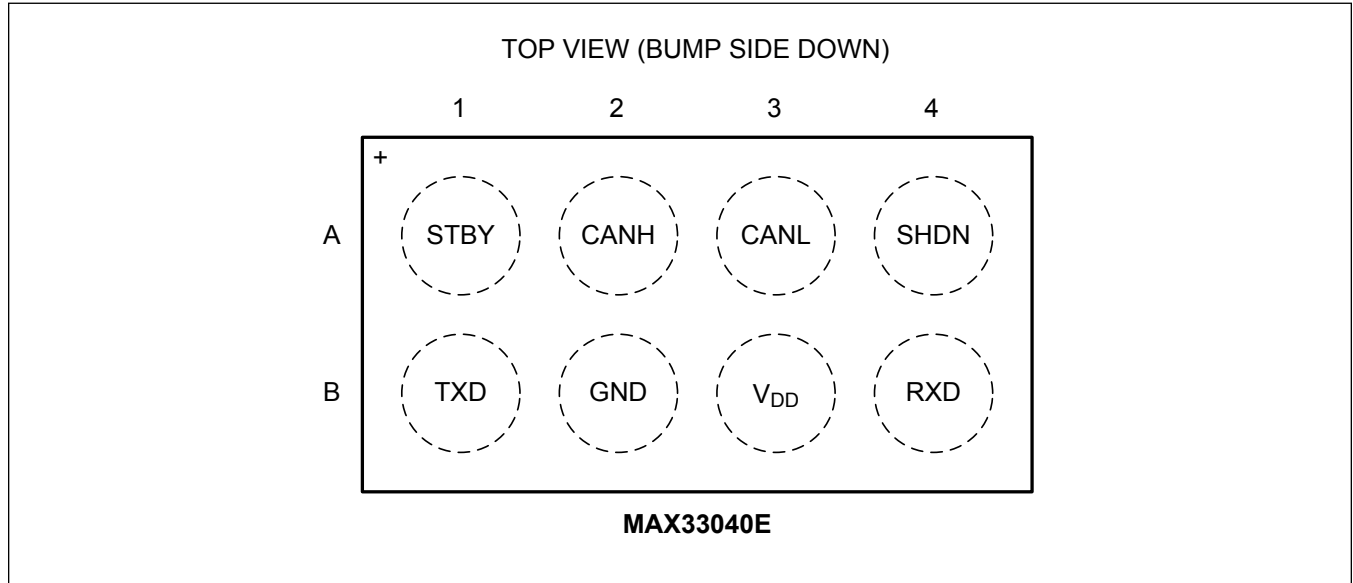


Pin Configurations

SO/SOT23



WLP

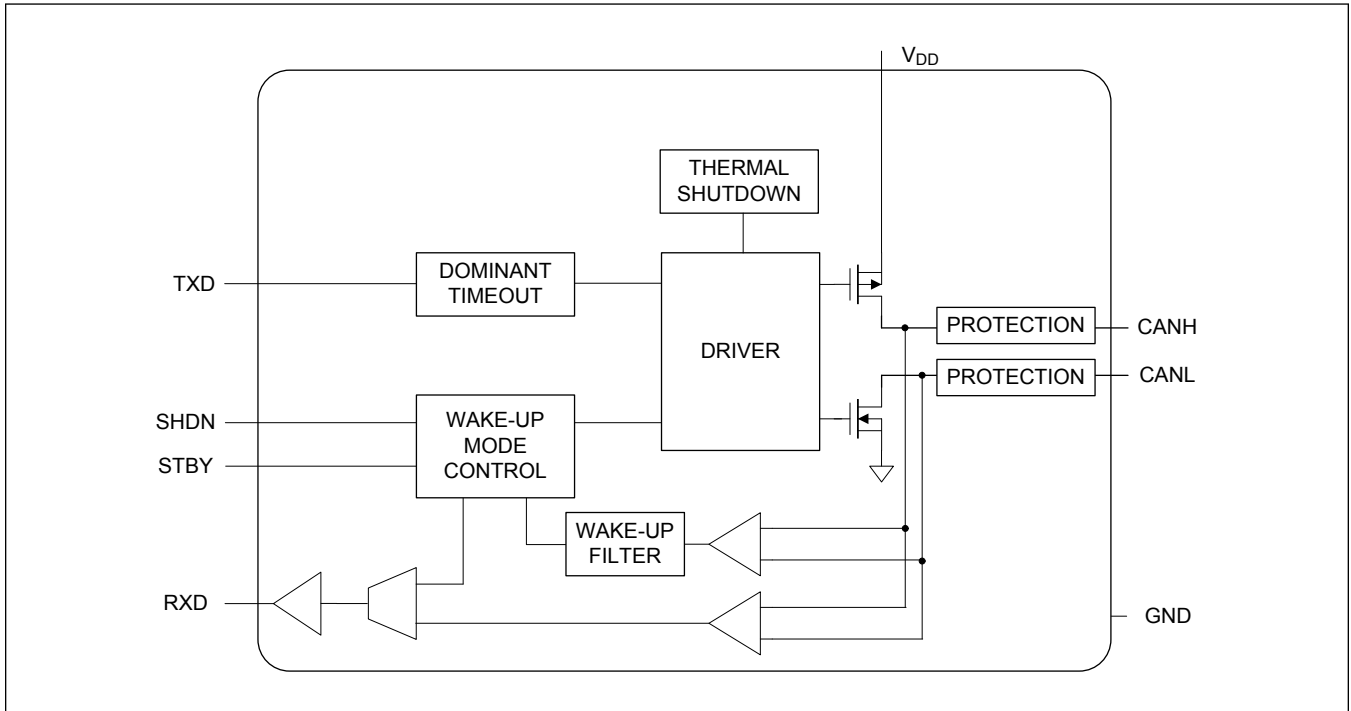


Pin Description

PIN		NAME	FUNCTION
SO/SOT23	WLP		
1	B1	TXD	Transmit Data Input. Drive TXD high to set the driver in the recessive state. Drive TXD low to set the driver in the dominant state. TXD has an internal pullup to V _{DD} .
2	B2	GND	Ground.
3	B3	V _{DD}	Supply Voltage. Bypass V _{DD} to GND with a 0.1µF capacitor.
4	B4	RXD	Receive Data Output. RXD is high when CANH and CANL are in the recessive state. RXD is low when CANH and CANL are in the dominant state.
5	A4	SHDN	Shutdown Input, CMOS/TTL compatible. Drive SHDN high to put MAX33040E/MAX33041E in shutdown. SHDN has an internal pulldown resistor to GND.
6	A3	CANL	CAN Bus-Line Low
7	A2	CANH	CAN Bus-Line High
8	A1	STBY	Standby Mode. A logic-high on STBY pin selects the standby mode. In standby mode, the transceiver is not able to transmit data and the receiver is in low power mode. A logic-low on STBY pin puts the transceiver in normal operating mode. A 39.2kΩ external resistor can be used to connect the STBY pin to ground for slow slew rate.

Functional Diagrams

Functional Block Diagram



Detailed Description

The MAX33040E/MAX33041E are fault-protected CAN transceivers designed for industrial applications with a number of integrated robust protection feature set. These devices provide a link between the CAN protocol controller and the physical wires of the bus lines in a CAN. They can be used for DeviceNet™ applications as well.

These CAN transceivers are fault-protected on CANH and CANL up to ±40V, making it suitable for applications where overvoltage protection is required. These devices are rated up to a high ±40kV HBM ESD on CANH and CANL, suitable for protection during the manufacturing process, and even in the field where there is human interface for installation and maintenance. In addition, a common-mode voltage of ±25V enables communication in noisy environments where there are ground plane differences between different systems due to close proximity of heavy equipment machinery or operation from different transformers. The devices' dominant timeout prevents the bus from being blocked by a hung-up microcontroller, and the outputs CANH and CANL are short-circuit, current-limited, and are protected against excessive power dissipation by thermal shutdown circuitry that places the driver outputs in a high-impedance state.

These devices can operate up to 5Mbps with a standby mode where it shuts off the transmitter and reduces the current to 30µA (typ).

±40V Fault Protection

These devices feature ±40V of fault protection. CANH and CANL data lines are capable of withstanding a short from -40V to +40V. This extended overvoltage range makes it suitable for applications where accidental shorts to power supply lines are possible due to human intervention.

Transmitter

The transmitter converts a single-ended input signal (TXD) from the local CAN controller to differential outputs for the bus lines CANH and CANL. The truth table for the transmitter and receiver is provided in [Table 1](#).

Transmitter Output Protection

The MAX33040E/MAX33041E protects the transmitter output stage against a short-circuit to a positive or negative voltage by limiting the driver current. Thermal shutdown further protects the devices from excessive temperatures that may result from a short or high ambient temperature. The transmitter returns to normal operation once the temperature is lowered below the threshold.

Transmitter-Dominant Timeout

The devices feature a transmitter dominant timeout (t_{DOM}) that prevents erroneous CAN controllers from clamping the bus to a dominant level by maintaining a continuous low TXD signal. When TXD remains in the dominant state (low) for greater than 2.5ms typical t_{DOM} , the transmitter is disabled, releasing the bus to a recessive state ([Figure 4](#)). After a dominant timeout fault, the transmitter is re-enabled when receiving a rising edge at TXD. The transmitter dominant timeout limits the minimum possible data rate to 9kbps for standard CAN protocol.

Receiver

The receiver reads the differential input from the bus line CANH and CANL and transfers this data as a single-ended output RXD to the CAN controller. It consists of a comparator that senses the difference $V_{DIFF} = (CANH - CANL)$, with respect to an internal threshold of 0.7V. If $V_{DIFF} > 0.9V$, a logic-low is present on RXD. If $V_{DIFF} < 0.5V$, a logic-high is present. The CANH and CANL common-mode range is ±25V. RXD is a logic-high when CANH and CANL are shorted or terminated and undriven.

Standby Mode

Drive STBY pin high for standby mode, which switches the transmitter off and the receiver to a low current and low-speed state. The supply current is reduced during standby mode. The bus line is monitored by a low differential comparator to detect and recognize a wakeup event on the bus line. Once the comparator detects a dominant bus level greater than

MAX33040E/MAX33041E

+3.3V, 5Mbps CAN Transceiver with
±40V Fault Protection, ±25V CMR,
and ±40kV ESD in 8-Pin SOT23

2.3µs typical t_{WAKE} , RXD pulls low. Drive the STBY low for normal operation.

Slow Slew Rate

Connect a 39.2kΩ resistor between ground and the STBY pin to reduce the slew rate on the transmitter output. The STBY pin voltage should be between 0.1V to 0.6V to remain in slow slew rate. This will change the MAX33040E with a slow slew rate of 15V/µs for rising edge compared with normal mode at 120V/µs. For falling edge, the slow slew rate is 20V/µs compared with normal mode at 80V/µs.

Table 1. Transmitter and Receiver Truth Table (When Not Connected to the Bus)

MODE	TXD	TXD LOW TIME	CANH	CANL	BUS STATE	RXD
Normal (STBY = LOW)	LOW	< t_{DOM}	HIGH	LOW	DOMINANT	LOW
Normal (STBY = LOW)	LOW	> t_{DOM}	$V_{DD}/2$	$V_{DD}/2$	RECESSIVE	HIGH
Normal (STBY = LOW)	HIGH	X	$V_{DD}/2$	$V_{DD}/2$	RECESSIVE	HIGH
Standby (STBY = HIGH)	X	X	HIGH	LOW	DOMINANT	LOW
Standby (STBY = HIGH)	X	X	$V_{DD}/2$	$V_{DD}/2$	RECESSIVE	HIGH
Shutdown (SHDN = STBY = HIGH)	X	X	$V_{DD}/2$	$V_{DD}/2$	RECESSIVE	HIGH

X = Don't care

Shutdown Mode

Drive SHDN pin high for shutdown mode, which switches the transmitter and receiver off. The supply current is reduced to maximum of 5µA during shutdown mode. Drive the SHDN pin low for normal operation.

Applications Information

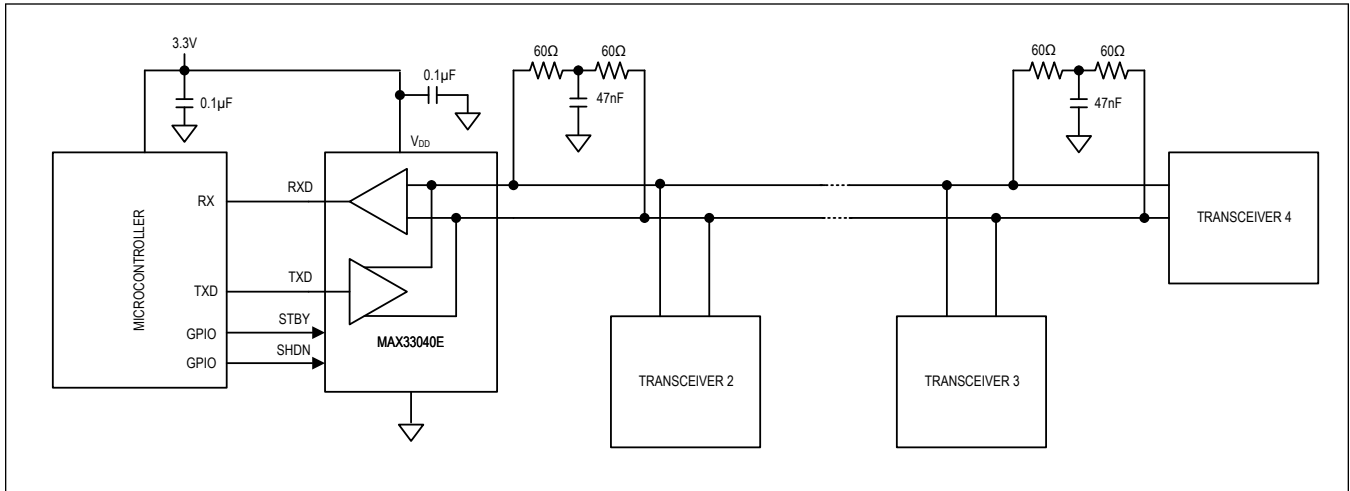
Reduced EMI and Reflections

In multidrop CAN applications, it is important to maintain a single linear bus of uniform impedance that is properly terminated at each end. A star, ring or tree configuration should never be used. Any deviation from the end-to-end wiring scheme creates a stub. High-speed data edges on a stub can create reflections back down to the bus. These reflections can cause data errors by eroding the noise margin of the system.

Although stubs are unavoidable in a multidrop system, care should be taken to keep these stubs as short as possible, especially when operating with high data rates.

Typical Application Circuits

Multidrop CAN Bus



Ordering Information

PART NUMBER	TEMPERATURE RANGE	PIN-PACKAGE
MAX33041EASA+*	-40°C to +125°C	8 SO
MAX33041EASA+T*	-40°C to +125°C	8 SO
MAX33040EAKA+	-40°C to +125°C	8 SOT23
MAX33040EAKA+T	-40°C to +125°C	8 SOT23
MAX33040EAWA+*	-40°C to +125°C	8 WLP
MAX33040EAWA+T*	-40°C to +125°C	8 WLP

+ Denotes a lead(Pb)-free/RoHS-compliant package.

T = Tape and reel.

* Future product—contact factory for availability.

MAX33040E/MAX33041E

+3.3V, 5Mbps CAN Transceiver with
±40V Fault Protection, ±25V CMR,
and ±40kV ESD in 8-Pin SOT23

Revision History

REVISION NUMBER	REVISION DATE	DESCRIPTION	PAGES CHANGED
0	2/20	Initial release	—
1	5/20	Updated General Description, Benefits and Features, Figure 5, Detailed Description, Ordering Information table	1, 12, 19, 21

For pricing, delivery, and ordering information, please visit Maxim Integrated's online storefront at <https://www.maximintegrated.com/en/storefront/storefront.html>.

Maxim Integrated cannot assume responsibility for use of any circuitry other than circuitry entirely embodied in a Maxim Integrated product. No circuit patent licenses are implied. Maxim Integrated reserves the right to change the circuitry and specifications without notice at any time. The parametric values (min and max limits) shown in the Electrical Characteristics table are guaranteed. Other parametric values quoted in this data sheet are provided for guidance.