

DIGITAL TIMERS

TT32 DUAL DIGITAL TIMER



- 9 Programmable modes
- 6 Timing ranges
- Security code
- 2 Timed or 1 timed + 1 instantaneous contact
- Programmable reset function
- External hold & reset
- IP65 water & dust protection
- LED status & timing indicators

The TT32 programmable timer, packaged in a compact 75 x 33 x 69 mm housing, is an extremely versatile product offering nine operating modes applied to two timed output relay contacts. When only one of the timers is being used, the other output acts as an instantaneous set of changeover contacts. The single model provides timing from 0.1 seconds to 100 hours.

SPECIFICATION

Timing ranges: 0 to 999.9 secs, 0 to 9999 secs, 0 to 9999 mins, 0 to 99 mins 59 secs, 0 to 99 hrs 59 mins, 23:59 in 24 hr clock mode

Timing modes: DE, DDE, DP, CCT, DE-2, IT-2, DE-IT, DD-2, 24 hour clock

Supply voltage: 12-24Vac/dc (110Vac & 240Vac via transformers TRA11/12)

Supply variation: +/- 10% of supply voltage.

Battery back-up: External 3Vdc to retain clock on 24H mode only at loss of supply voltage.

Power drain: 3VA max.

Contact ratings: OP1: 8A @ 240Vac, OP2: 5A @ 240Vac resistive.

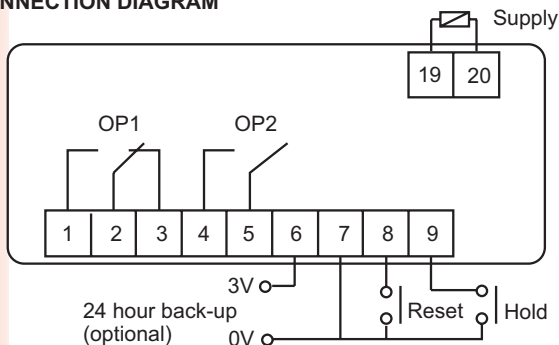
Reset time: 100 msec max.

Ambient cond: Working temp: 0 to 50°C, Storage temp: 0 to 70°C

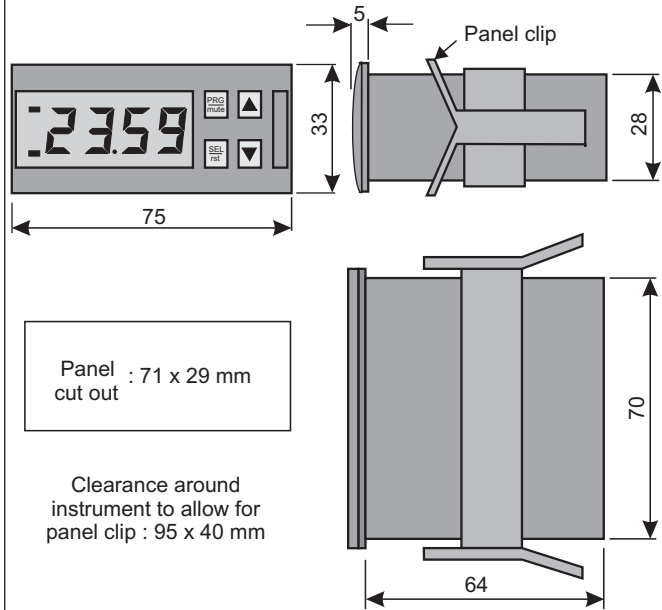
Approvals: Complies with CE directives EN50081-1 & EN50082-1 for emc and EN61010-1 for low voltage.

Weight: 140gms

CONNECTION DIAGRAM



DIMENSIONS



STANDARD ITEMS

Model	Part Number
All Times, Modes, 12-24Vac/dc	TT32ML
240Vac to 12Vac Transformer	TRA12UN100
110Vac to 12Vac Transformer	TRA11UN100

For matching temperature controllers ask our sales office for details of our IR32 range.