

SERIES: VGS-35W | **DESCRIPTION:** INTERNAL AC-DC POWER SUPPLY

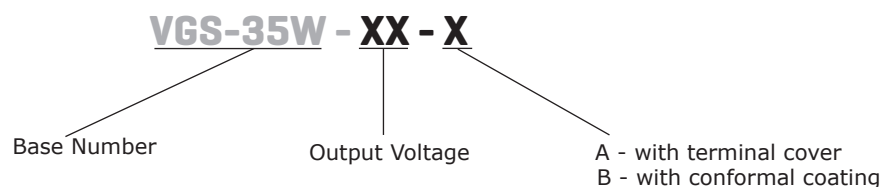
FEATURES

- Wide input range (85 ~ 305 VAC)
- Available with conformal coating or terminal cover options
- UL/EN/IEC 62368 certified
- Designed to meet IEC/EN 61558 and IEC/EN 60335 system requirements
- Short-circuit, over-current, over-voltage protections
- CISPR/EN55032 Class B radiated/conducted emissions



MODEL	output voltage	output current	output power	ripple and noise ¹	efficiency ²
	(Vdc)	max (A)	max (W)	typ (mVp-p)	typ (%)
VGS-35W-5	5	7.0	35	80	81
VGS-35W-12	12	3.0	36	120	85
VGS-35W-15	15	2.4	36	120	86
VGS-35W-24	24	1.5	36	150	87

Notes: 1. Ripple & noise are measured at 20 MHz BW with 47 μ F aluminum electrolytic capacitor and 0.1 μ F ceramic capacitor on the output.
 2. Measured at 230 Vac.

PART NUMBER KEY


INPUT

parameter	conditions/description	min	typ	max	units
voltage	ac input	85		305	Vac
	dc input	120		430	Vdc
frequency		47		63	Hz
current	at 115 Vac			0.8	A
	at 230 Vac			0.6	A
inrush current	at 115 Vac, cold start		30		A
	at 230 Vac, cold start		50		A
leakage current				0.75	mA
no load power consumption				0.3	W

OUTPUT

parameter	conditions/description	min	typ	max	units
capacitive load	5 Vdc output			8,000	μF
	12 Vdc output			1,500	μF
	15 Vdc output			1,000	μF
	24 Vdc output			750	μF
initial set point accuracy	5 Vdc output, full load		±2		%
	other outputs, full load		±1		%
line regulation	rated load		±0.5		%
load regulation	0% ~ 100% 5 Vdc output		±1		%
	0% ~ 100% other outputs		±0.5		%
hold-up time	at 115 Vac	8			ms
	at 230 Vac	30			ms
switching frequency			65		kHz
adjustability	built in trim pot		±10		%
temperature coefficient			±0.03		%/°C

PROTECTIONS

parameter	conditions/description	min	typ	max	units
over voltage protection	5 Vdc output, hiccup, auto recovery			6.3	Vdc
	12 Vdc output, hiccup, auto recovery			16.2	Vdc
	15 Vdc output, hiccup, auto recovery			21.75	Vdc
	24 Vdc output, hiccup, auto recovery			33.6	Vdc
over current protection	at 230 Vac, auto recovery	110		200	%
short circuit protection	hiccup, continuous, auto recovery				

SAFETY & COMPLIANCE

parameter	conditions/description	min	typ	max	units
isolation voltage	input to ground, 1 min. <10mA	2,000			Vac
	input to output, 1 min. <10mA	4,000			Vac
	output to ground, 1 min. <10mA	1,250			Vac
safety approvals	certified to	62368:	IEC, EN, UL		
	designed to meet	60335:	IEC, EN		
	designed to meet	61558:	IEC, EN		
safety class	class I				
EMI/EMC	CISPR 32/EN 55032 class B, IEC/EN 61000-3-2 class A				
ESD	IEC/EN 61000-4-2 Contact ±6KV/Air ±8KV perf. criteria A				
radiated immunity	IEC/EN 61000-4-3 10 V/m perf. criteria A				
EFT/burst	IEC/EN 61000-4-4 ±2KV perf. criteria A				
surge	IEC/EN 61000-4-5 line to line ±2KV/line to ground ±4KV perf. criteria A				
conducted immunity	IEC/EN 61000-4-6 10 Vr.m.s perf. criteria A				
voltage dips and interruption	IEC/EN 61000-4-11 0%, 70% perf. criteria B				

SAFETY & COMPLIANCE

MTBF	per MIL-HDBK-217F at 25°C	300,000	hours
RoHS	yes		

ENVIRONMENTAL

parameter	conditions/description	min	typ	max	units
operating temperature		-30		70	°C
storage temperature		-40		85	°C
operating humidity	non-condensing	20		90	%
storage humidity	non-condensing			95	%

MECHANICAL

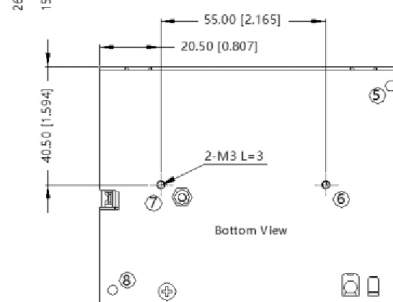
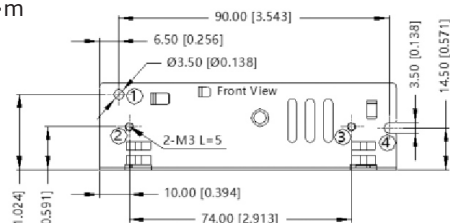
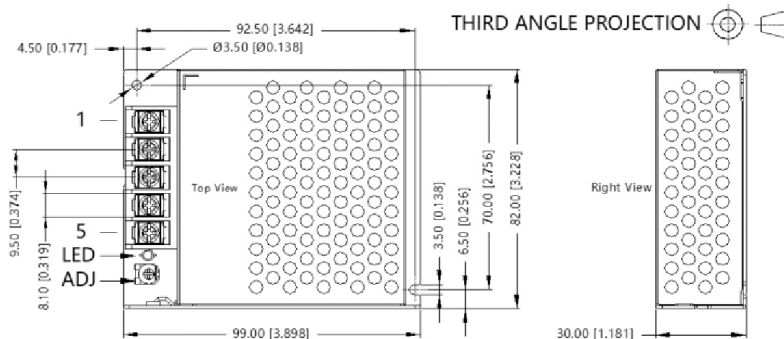
parameter	conditions/description	min	typ	max	units
dimensions	99.00 x 82.00 x 30.00 mm				inch
weight			170		g
cooling	free air convection				
case material	Metal (AL1100, SGCC)				

MECHANICAL DRAWING

units: mm
tolerance: ±1 [±0.039]

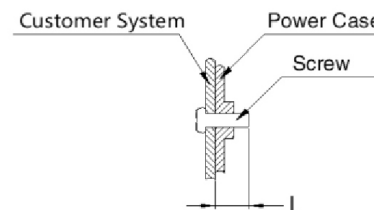
PIN CONNECTIONS	
PIN	Function
1	AC(L)
2	AC(N)
3	⊕
4	-Vo
5	+Vo

wire range: 22-12 AWG
connector tightening torque: M3.5, 0.8 N·m

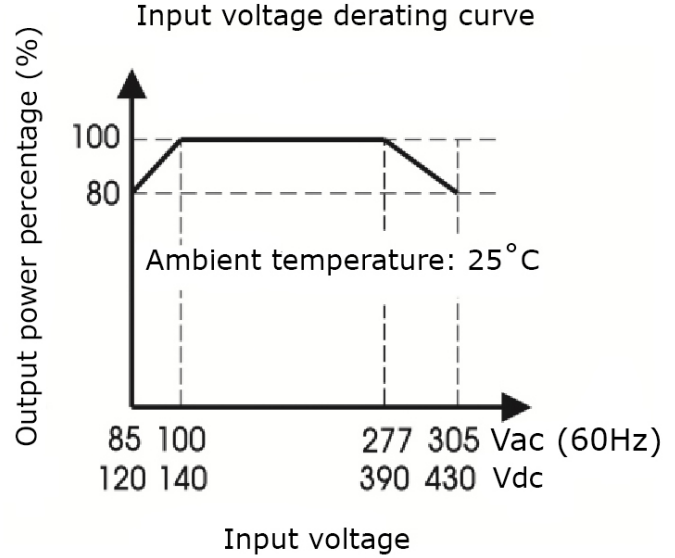
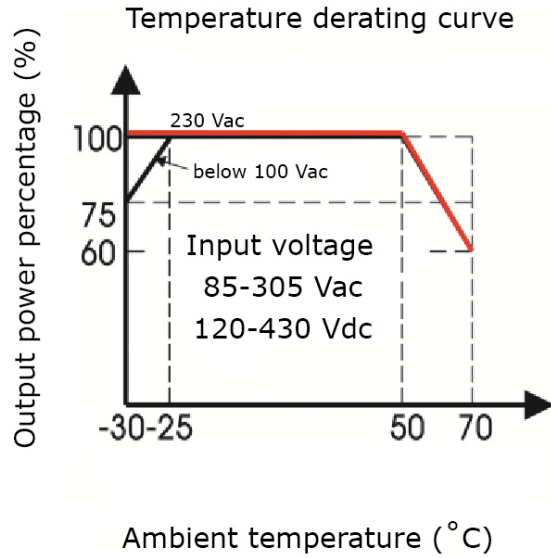


Position	Screw spec.	L (max)	Torque (max)
② - ③	M3	5 mm	0.4 N·m
⑥ - ⑦	M3	3 mm	0.4 N·m

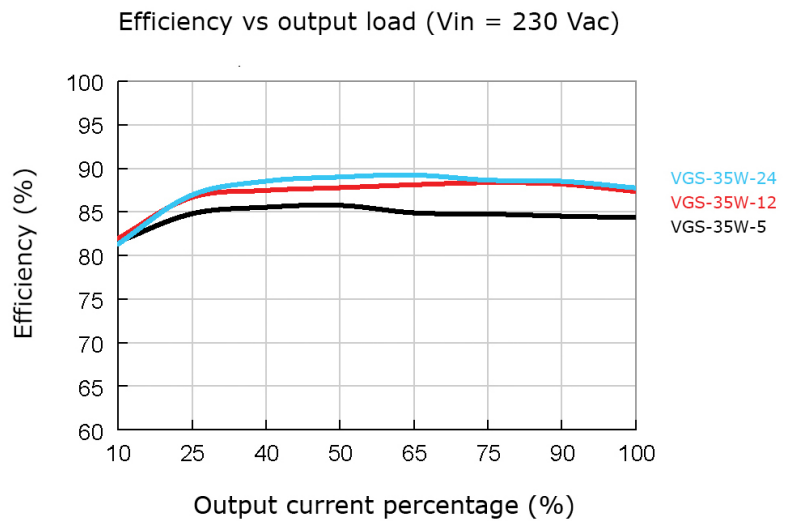
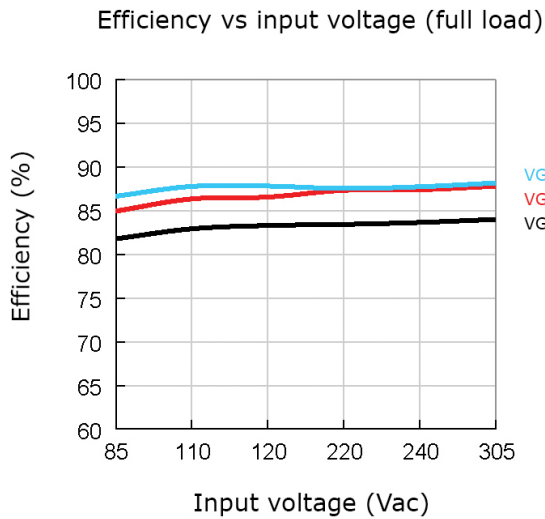
Note: At least one hole position, ①~⑧ must be securely connected to Protective Earth (PE)⊕



DERATING CURVE



EFFICIENCY CURVES



REVISION HISTORY

rev.	description	date
1.0	initial release	09/02/2020
1.01	added adjustability line	10/12/2020

The revision history provided is for informational purposes only and is believed to be accurate.



Headquarters
20050 SW 112th Ave.
Tualatin, OR 97062
800.275.4899

Fax 503.612.2383
cui.com
techsupport@cui.com

CUI offers a two (2) year limited warranty. Complete warranty information is listed on our website.

CUI reserves the right to make changes to the product at any time without notice. Information provided by CUI is believed to be accurate and reliable. However, no responsibility is assumed by CUI for its use, nor for any infringements of patents or other rights of third parties which may result from its use.

CUI products are not authorized or warranted for use as critical components in equipment that requires an extremely high level of reliability. A critical component is any component of a life support device or system whose failure to perform can be reasonably expected to cause the failure of the life support device or system, or to affect its safety or effectiveness.