

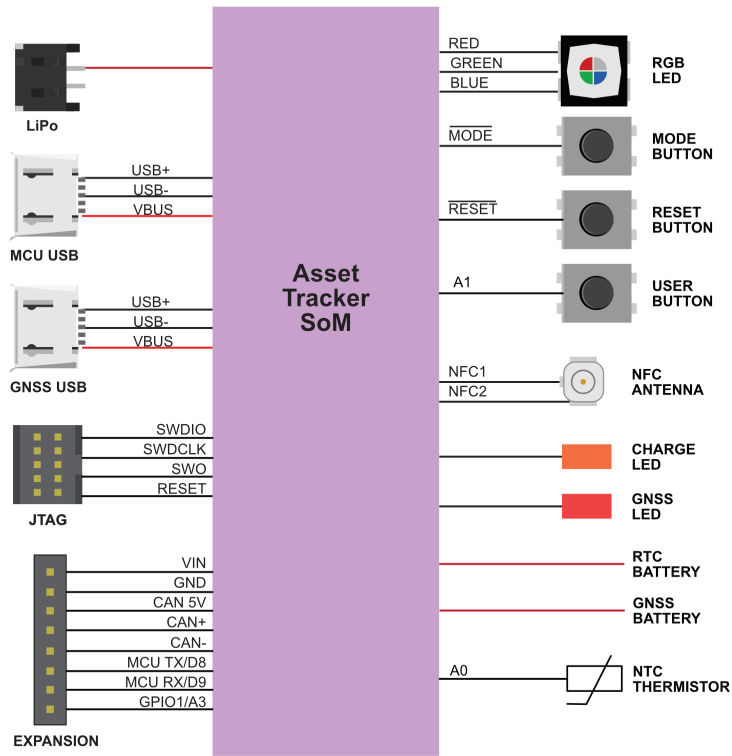
Tracker One⁽⁰¹¹⁾

The Tracker One is a ready-to-go Tracker SoM carrier board with optional weatherproof enclosure.

- **Ready to go** with IP67-rated enclosure.
- **GNSS Antenna Onboard:** convenient high-gain GNSS antenna for easy access to GNSS signals.
- **Flexible Power Supply:** easily add asset tracking to most devices. A wide 6-30V power supply copes with most power delivery systems. Also accepts 5V supply via USB-C. LiPo battery connector with charge LED. Supports up to 90V when connecting directly to the carrier board.
- **High-precision Thermistor** with accuracy to 1%.
- **Extensible:** IP67-rated M8 connector includes CAN Bus, UART, GPIO, and power for simple expansion.
- **USB-C** for flashing, debugging and power with higher charging rates than Micro-USB.
- **RGB LED** for use as both a user-configurable device as well as Particle status information.



Block Diagram



Description



Num	ID	Description
1		GNSS Antenna
2		Wi-Fi Antenna (mounted on side of case)
3		NFC Antenna (mounted on lid) ¹
4		Power and I/O connector (B8B-PH)
5		BLE Antenna (mounted on side of case)
6		LiPo Connector
7		M8 8-pin male connector (mounted on side of case)
8		USB-C ²
9		NFC connector (connects to NFC antenna on lid)
10		RGB Status LED
11	GNSS LED	GNSS Status LED
12	CHRG	LiPo charge status LED
13	USER	User Button
14	RESET	RESET Button
15	MODE	MODE button
16		Cellular Antenna (mounted on side of case)
17		USB-C switch ³
18		Thermistor
19		JTAG connector (not populated) ⁴

¹When disassembling the Tracker One, be careful when removing the lid. The NFC antenna and LiPo battery are mounted on the lid, and the NFC antenna cable is short. Carefully remove the NFC U.FL connector before fully removing the lid of the case. Reconnect to (9).

²The USB-C connector is normally connected to the nRF52840 MCU. It can be connected to the GNSS module by using the USB-C switch (17).

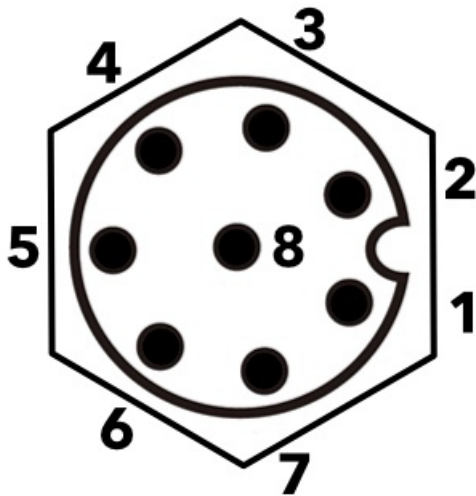
³The normal state is 1-4 OFF and 5-6 ON to connect the USB to the nRF52840. To connect the USB-C to the u-blox GNSS, turn 1-4 ON and 5-6 OFF. Disconnect the USB-C and the LiPo battery before changing the switch settings.

⁴The JTAG connector is not populated at the factory. The connector is a [Samtec FTSH-105-01-F-DV-K](#) 10 position (2x5), 1.27mm pitch.

POWER AND I/O CONNECTOR (M8)

M8 Pin	Function	Function	Function	I/O	Color
1	CAN_P			IO ²	Yellow
2	VIN ³			I	Red
3	Analog A3		GPIO D3	IO ¹	White
4	Serial1 RX	Wire3 SDA	GPIO D8	IO ¹	Green
5	Serial1 TX	Wire3 SCL	GPIO D9	IO ¹	Brown
6	CAN_5V ⁴		CAN_PWR	O	Orange
7	CAN_N			IO ²	Blue
8	GND				Black

The IP67 M8, 8-pin, male pins with threaded barrel connector is accessible from the outside of the enclosure.



View as looking into the M8 connector on the outside of the enclosure.

Note: Version 003 and earlier of this datasheet had a different pin numbering for M8 connector that didn't match the connector manufacturer's numbering. Only the numbering has changed; the function of the pin at a given location is unchanged and the change should not affect existing designs.

¹MCU GPIO is limited to 3.3V maximum.

²CAN Bus specifications can be found in the [Tracker SoM datasheet](#). CAN Bus termination is provided on the carrier board.

³6.0 to 30 VDC at 2A when using the M8 connector. 6.0 - 90 VDC at 2A when connecting directly to the board.

⁴5V, 400 mA maximum. Controlled by the CAN_PWR GPIO.

Additional information on M8 cables and connectors can be found in the [M8 Accessories Datasheet](#).

CARRIER BOARD POWER AND I/O CONNECTOR

The connector on the carrier board itself is a [JST B8B-PH-SM4-TB\(LF\)\(SN\)](#), 8-position, 2mm pitch, male pins, shrouded. The mating connector is the [JST PHR-8](#). The female sockets are available plain, with leads, and in pre-manufactured ribbon cable formats.

PHR-8 Pin	M8 Pin	Function	Color
1	2	VIN	Red
2	1	CAN_P	Yellow
3	7	CAN_N	Blue
4	6	CAN_5V	Orange
5	5	TX_SCL_D9	Brown
6	4	TX_SDA_D8	Green
7	3	A3	White
8	8	GND	Black

ADDITIONAL PERIPHERALS

Signal	Device OS	Description
THERM	A0	NTC Thermistor
USER	A1	USER button
GNSS_LOCK	A2	GNSS lock indicator
GPIO1	A3	GPIO on power and I/O connector
MCU TX	TX	MCU serial TX, GPIO D9, Wire3 SCL
MCU RX	RX	MCU serial RX, GPIO D8, Wire3 SDA

Note: While the USER button exists inside the Tracker One, the Tracker One is a sealed unit and opening it will void the warranty and may affect certifications, thus it is not practical to use. It can be used with the Tracker Carrier Board.

POWERING THE TRACKER CARRIER BOARD

There are several options for powering the carrier board:

The **MCU USB** connector (USB-C). If using a laptop with a USB-A to USB-C cable and a 500 mA USB port, you should also use the LiPo battery. With an true USB-C port and cable, or a 2A tablet charger, you can power only by USB.

The **VIN** connector (6 to 30 VDC at 2A on the M8 connector, or 6 to 90 VDC at 2A to the B8B-PH connector on the board). This is useful with an external power supply.

The **LiPo** connector. This is typically used with a LiPo battery.

USB CONNECTOR

There is a single USB C connector on the carrier board. On the Tracker One, this exits the enclosure and is IP67 rated.

A set of DIP switches on the carrier board allow this port to be connected to either the MCU (normal) or u-blox GNSS (for firmware updates). The normal state is 1-4 OFF and 5-6 ON to connect the USB to the nRF52840. To connect the USB-C to the u-blox GNSS, turn 1-4 ON and 5-6 OFF. Disconnect the USB-C and the LiPo battery before changing the switch settings.

LED INDICATORS

The **RGB LED** default behavior is:

- Red breathing: Attempting to connect to the cellular network
- Yellow breathing: Connecting to the cloud, weaker cellular signal
- Green breathing: Connecting to the cloud, good cellular signal
- Yellow solid: Connected to the cloud, weaker cellular signal
- Green solid: Connected to the cloud, good cellular signal

Alternatively the LED can be configured to the typical Particle color scheme (blinking green, blinking cyan, breathing cyan) via device or cloud configuration. Custom device firmware can provide other color schemes if desired.

The **CHRG** LED indicates the charge status:

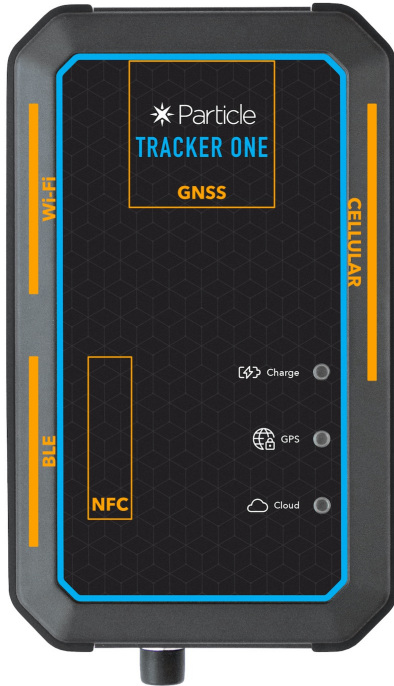
- Off: Not charging or no power
- On: Charging
- Blinking: Charge fault
- Flickering: No battery

The **GNSS** LED indicates the GNSS fix status:

- Off: GNSS is powered off.
- Blinking (1 Hz): Attempting to get a GNSS fix
- On: Has a GNSS fix.

Antennas

Antenna	Location
GNSS	Carrier Board (faces top of case)
Wi-Fi	Left Side
BLE	Left Side
NFC	Top
Cellular	Right Side



As the GNSS antenna faces the top of the case, you also want the top of the case facing the sky to the greatest extent possible. You will likely be unable to get a GNSS lock with the top facing down.

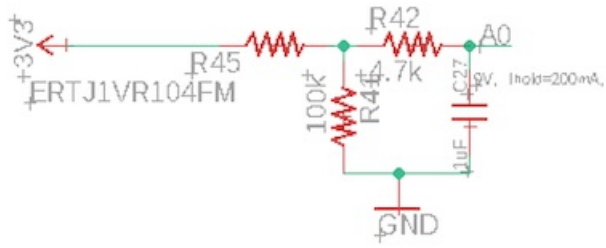
Tracker One Schematics

Will be provided at a later date.

Peripheral Details

THERMISTOR

The Tracker Carrier Board contains a 100K NTC thermistor, connected to A0. It is a [Panasonic ERT-J1VR104FM](#) connected high-side.



It can be read using the [getTemperature\(\)](#) API. Note that this is the temperature on the board, within the enclosure, and will typically be several degrees warmer than the ambient temperature.

Design Files

The Tracker Carrier Board in the Tracker One is open-source and the Eagle CAD design files are available in Github:

<https://github.com/particle-iot/tracker-hardware>

Mechanical specifications

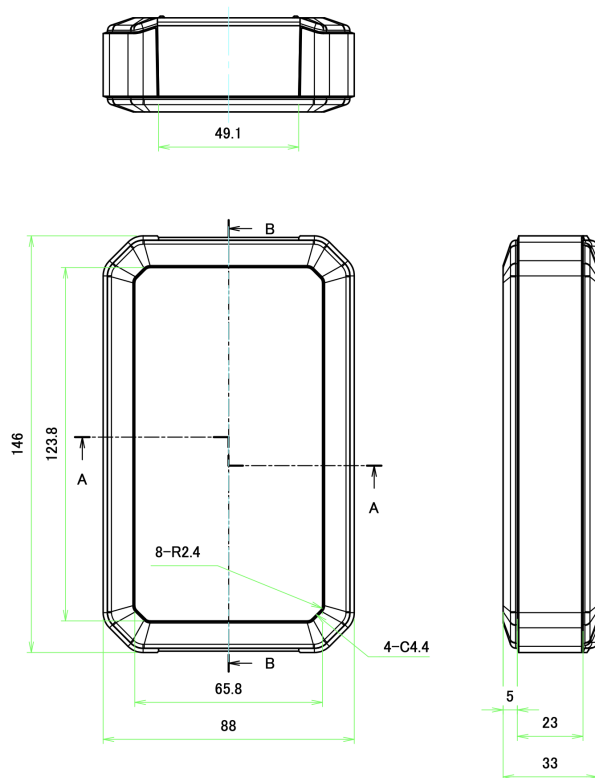
OPERATING TEMPERATURE

Parameter	Minimum	Maximum	Units
Operating temperature	-10	60	°C
Battery charging enabled	0	50	°C

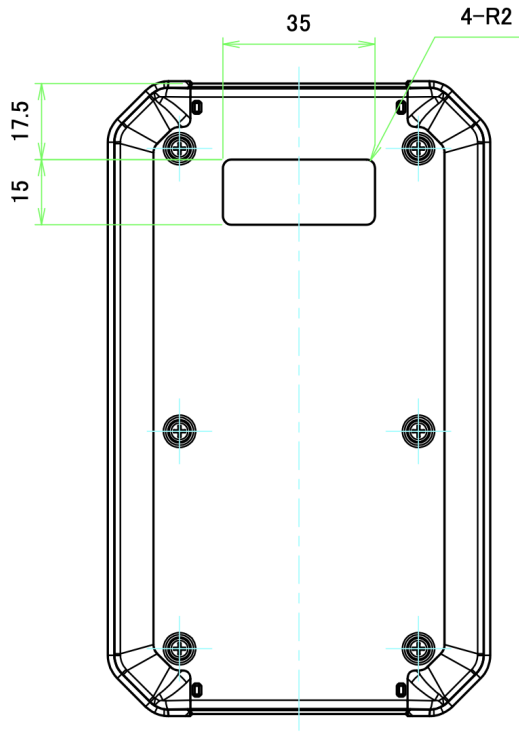
DIMENSIONS AND WEIGHT

Parameter	Value	Units
Width	88	mm
Length (case only)	146	mm
Length (including M8 connector)	154	mm
Thickness	33	mm
Weight	290	g

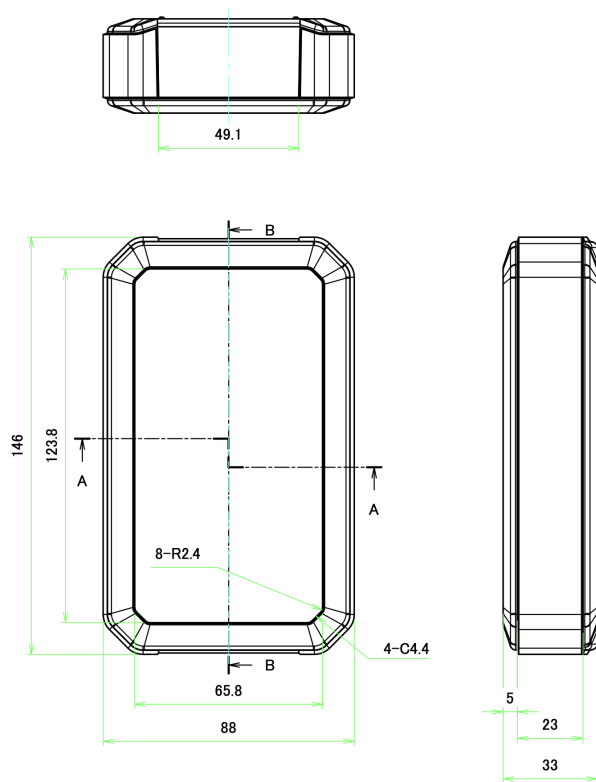
Case Dimensions (mm):



Bottom:



Maximum Carrier Board Dimensions (mm):



Note: The Tracker Carrier Board has a smaller bottom tab to provide space for the M8 connector.

POWER CONSUMPTION (TRACKER ONE 402)

Parameter	Symbol	Min	Typ	Max	Unit
Operating Current (uC on, peripherals and radio disabled)	I _{startup}				mA
Operating Current (uC on, cellular connecting to cloud)	I _{cell_conn_cloud}				mA
Operating Current (uC on, cellular connected but idle)	I _{cloud_idle}				mA
Operating Current (uC on, cellular connected and transmitting)	I _{cloud_pub}				mA
STOP mode sleep, GPIO wake-up	I _{stop_gpio}	911	1140	1530	uA
STOP mode sleep, analog wake-up	I _{stop_analog}	920	1120	1480	uA
STOP mode sleep, RTC wake-up	I _{stop_inrtc}	919	1130	1500	uA
STOP mode sleep, BLE wake-up, advertising	I _{stop_ble_adv}	136	1190	2880	uA
STOP mode sleep, BLE wake-up, connected	I _{stop_ble_conn}	772	1180	1790	uA
STOP mode sleep, serial wake-up	I _{stop_usart}	993	1120	1510	uA
STOP mode sleep, cellular wake-up	I _{stop_cell}	11.2	17.3	116	mA
STOP mode sleep, IMU wake-up	I _{stop_imu}	850	1150	1590	uA
STOP mode sleep, CAN wake-up	I _{stop_can}	981	1200	1600	uA
STOP mode sleep, GPS wake-up	I _{stop_gps}	29.3	36.1	50.2	mA
ULP mode sleep, GPIO wake-up	I _{ulp_gpio}		201	552	uA
ULP mode sleep, analog wake-up	I _{ulp_analog}		190	593	uA
ULP mode sleep, RTC wake-up	I _{ulp_inrtc}		188	558	uA
ULP mode sleep, BLE wake-up, advertising	I _{ulp_ble_adv}		270	2150	uA
ULP mode sleep, BLE wake-up, connected	I _{ulp_ble_conn}		258	990	uA
ULP mode sleep, serial wake-up	I _{ulp_usart}	638	842	1200	uA
ULP mode sleep, cellular wake-up	I _{ulp_cell}	13.9	16.9	86.0	mA
ULP mode sleep, IMU wake-up	I _{imu_imu}		225	642	uA
ULP mode sleep, CAN wake-up	I _{can_can}	75.3	270	631	uA
ULP mode sleep, GPS wake-up	I _{ulp_gps}	28.0	35.3	49.5	mA
HIBERNATE mode sleep, GPIO wake-up	I _{hib_gpio}		161	564	uA
HIBERNATE mode sleep, analog wake-up	I _{hib_analog}		151	557	uA
HIBERNATE mode sleep, external RTC wake-up	I _{hib_exrtc}		151	562	uA
HIBERNATE mode sleep, IMU wake-up	I _{hib_imu}		185	669	uA
HIBERNATE mode sleep, CAN wake-up	I _{hib_can}		230	636	uA

POWER CONSUMPTION (TRACKER ONE 523)

Parameter	Symbol	Min	Typ	Max	Unit
Operating Current (uC on, peripherals and radio disabled)	I _{startup}	24.2	132	689	mA
Operating Current (uC on, cellular connecting to cloud)	I _{cell_conn_cloud}	51.2	112	594	mA
Operating Current (uC on, cellular connected but idle)	I _{cloud_idle}	50.9	60.2	197	mA
Operating Current (uC on, cellular connected and transmitting)	I _{cloud_pub}	57.2	173	702	mA
STOP mode sleep, GPIO wake-up	I _{stop_gpio}	778	1010	1390	uA
STOP mode sleep, analog wake-up	I _{stop_analog}	740	995	1390	uA
STOP mode sleep, RTC wake-up	I _{stop_intrtc}	758	993	1420	uA
STOP mode sleep, BLE wake-up, advertising	I _{stop_ble_adv}		1050	2500	uA
STOP mode sleep, BLE wake-up, connected	I _{stop_ble_conn}	521	1050	1920	uA
STOP mode sleep, serial wake-up	I _{stop_usart}	729	995	1390	uA
STOP mode sleep, cellular wake-up	I _{stop_cell}	19.2	21.5	151	mA
STOP mode sleep, IMU wake-up	I _{stop_imu}	741	1020	1460	uA
STOP mode sleep, CAN wake-up	I _{stop_can}	884	1080	1490	uA
STOP mode sleep, GPS wake-up	I _{stop_gps}	28.0	34.8	49.0	mA
ULP mode sleep, GPIO wake-up	I _{ulp_gpio}		172	556	uA
ULP mode sleep, analog wake-up	I _{ulp_analog}		165	526	uA
ULP mode sleep, RTC wake-up	I _{ulp_intrtc}		164	561	uA
ULP mode sleep, BLE wake-up, advertising	I _{ulp_ble_adv}		228	1810	uA
ULP mode sleep, BLE wake-up, connected	I _{ulp_ble_conn}		231	1100	uA
ULP mode sleep, serial wake-up	I _{ulp_usart}	503	731	1169	uA
ULP mode sleep, cellular wake-up	I _{ulp_cell}	18.6	20.9	212	mA
ULP mode sleep, IMU wake-up	I _{imu_imu}		194	534	uA
ULP mode sleep, CAN wake-up	I _{can_can}	45.1	247	609	uA
ULP mode sleep, GPS wake-up	I _{ulp_gps}	27.4	33.9	48.0	mA
HIBERNATE mode sleep, GPIO wake-up	I _{hib_gpio}		148	519	uA
HIBERNATE mode sleep, analog wake-up	I _{hib_analog}		141	515	uA
HIBERNATE mode sleep, external RTC wake-up	I _{hib_extrtc}		140	525	uA
HIBERNATE mode sleep, IMU wake-up	I _{hib_imu}		178	544	uA
HIBERNATE mode sleep, CAN wake-up	I _{hib_can}		222	608	uA

Product Handling

ESD PRECAUTIONS

The Tracker SoM contains highly sensitive electronic circuitry and is an Electrostatic Sensitive Device (ESD). Handling an module without proper ESD protection may destroy or damage it permanently. Proper ESD handling and packaging procedures must be applied throughout the processing, handling and operation of any application that incorporates the module. ESD precautions should be implemented on the application board where the B series is mounted. Failure to observe these precautions can result in severe damage to the module!

BATTERY WARNING

CAUTION

RISK OF EXPLOSION IF BATTERY IS REPLACED BY AN INCORRECT TYPE. DISPOSE OF USED BATTERIES ACCORDING TO THE INSTRUCTIONS.

DISPOSAL



This device must be treated as Waste Electrical & Electronic Equipment (WEEE) when disposed of.

Any WEEE marked waste products must not be mixed with general household waste, but kept separate for the treatment, recovery and recycling of the materials used. For proper treatment, recovery and recycling; please take all WEEE marked waste to your Local Authority Civic waste site, where it will be accepted free of charge. If all consumers dispose of Waste Electrical & Electronic Equipment correctly, they will be helping to save valuable resources and preventing any potential negative effects upon human health and the environment of any hazardous materials that the waste may contain.

Ordering Information

SKU	Description	Packaging
ONE402M	Tracker One LTE M1 (NorAm), [x1]	Each
ONE523M	Tracker One LTE CAT1/3G/2G (Europe), [x1]	Each
TCAR	Tracker Carrier Board, [x1]	Each

Revision history

Revision	Date	Author	Comments
pre1	2020 Apr 20	RK	Preview Release1
pre2	2020 May 12	RK	Added partial dimensions
001	2020 Jun 29	RK	First release
002	2020 Jun 30	RK	CAN 5V is limited to 400 mA, not 500 mA
003	2020 Jul 16	RK	Corrected M8 pinouts
004	2020 Aug 06	RK	Corrected M8 pin numbering
005	2020 Aug 09	RK	Updated VIN voltages
006	2020 Aug 10	RK	Updated carrier board diagram
007	2020 Sep 01	RK	Added antenna diagram
008	2020 Sep 08	RK	Corrected USB connector description
009	2020 Sep 25	RK	Add battery warning
010	2020 Oct 14	RK	Add temperature range
011	2020 Nov 05	RK	Add power usage

Tracker SoM Datasheet (011)

Functional description

OVERVIEW

The AssetTracker SoM is a System-on-a-Module (SoM) with:

- LTE Cat 1 (EMEA, Europe only at this time) or LTE Cat M1 (North America) cellular modem
- GNSS (supports GPS, SBAS, QZSS, GLONASS, BeiDou, and Galileo) with up to 1.8m accuracy and untethered dead-reckoning
- Support for CAN bus and 5V power for CAN devices
- Built-in Inertial Measurement Unit (IMU)
- Castellated module can be reflow soldered to your base board, and is available on an evaluation board or carrier board

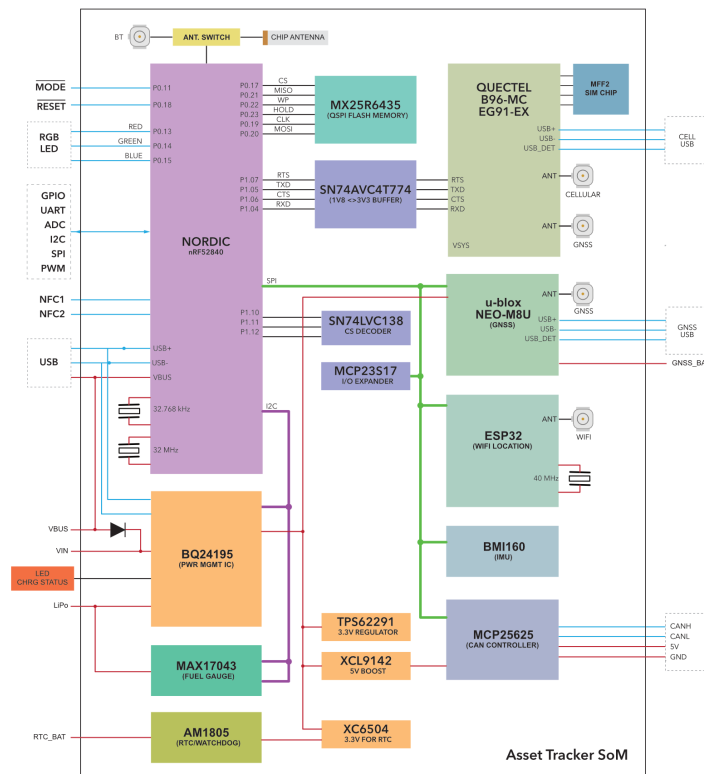
Model	Region
T402 / T404	North America
T523 / T524	Europe/Middle East/Africa/Asia; Europe only at this time

FEATURES

- GNSS u-blox Neo M8U for GNSS with on-board dead-reckoning for up to 1.8m CEP50 GPS accuracy
 - Supports GPS L1C/A, SBAS L1C/A, QZSS L1C/A, QZSS L1-SAIF, GLONASS L1OF, BeiDou B1I, Galileo E1B/C
 - Support for battery-backup for almanac and ephemeris data
- Quectel BG96-MC modem (T402 / T404)
 - LTE Cat M1 module for North America (United States, Canada, and Mexico)
 - LTE FDD bands supported: B2, B4, B5, B12, B13, B14, B25, B26
- Quectel EG91-EX modem (T523 / T524)
 - LTE Cat 1 module for EMEA region
 - 3GPP E-UTRA Release 13
 - Cat 1 bands supported: B1, B3, B7, B8, B20, B28
 - Support for Europe only at this time
- Nordic Semiconductor nRF52840 SoC
 - ARM Cortex-M4F 32-bit processor @ 64MHz
 - 1MB flash, 256KB RAM in SoC
 - Bluetooth 5: 2 Mbps, 1 Mbps, 500 Kbps, 125 Kbps
 - Supports DSP instructions, HW accelerated Floating Point Unit (FPU) calculations
 - ARM TrustZone CryptoCell-310 Cryptographic and security module
 - Up to +8 dBm TX power (down to -20 dBm in 4 dB steps)
 - NFC-A tag
- Wi-Fi location: on-board ESP32 offers SSID scanning for using third-party Wi-Fi location services
- PMIC (Power Management IC) and Fuel Gauge
- On-module additional 8MB SPI flash
- CAN Bus: on-board, integrated CAN Bus controller and transceiver making it ideal for fleet and micromobility
- Boost Converter to power 5V CAN devices from a 3.6V battery
- RTC: External real-time clock with support for an optional separate battery
- Watchdog Timer: integrated hardware WDT
- 10 Mixed signal GPIO (8 x Analog, 10 x Digital, UART, I2C, SPI)
- USB 2.0 full speed (12 Mbps)
- JTAG (SWD) pins
- Support for external RGB status LED
- Support for external Reset and Mode buttons
- On-module MFF2 Particle SIM
- Bluetooth chip antenna on module, switchable to use U.FL connector in software.
- Five on-module U.FL connectors for cellular, GNSS, BLE, Wi-Fi, and alternative GNSS.
- Castellated module designed to be reflow soldered to your own custom base board, or pre-populated on a Particle Evaluation Board or Carrier Board.
- FCC, IC, and CE certified
- RoHS compliant (lead-free)

Interfaces

BLOCK DIAGRAM



POWER

The Tracker SoM can be powered via the VIN (3.9V-17VDC) pin, over USB, or a LiPo battery.

VIN

The input voltage range on VIN pin is 3.9VDC to 17VDC. When powering from the VIN pin alone, make sure that the power supply is rated at 10W (for example 5 VDC at 2 Amp). If the power source is unable to meet this requirement, you'll need connect the LiPo battery as well. An additional bulk capacitance of 470uF to 1000uF should be added to the VIN input when the LiPo Battery is disconnected. The amount of capacitance required will depend on the ability of the power supply to deliver peak currents to the cellular modem.

LiPo

This pin serves two purposes. You can use this pin to connect a LiPo battery (either directly or using a JST connector), or it can be used to connect an external DC power source (and this is where one needs to take extra precautions). When powering it from an external regulated DC source, the recommended input voltage range on this pin is between 3.6V to 4.4VDC. Make sure that the supply can handle currents of at least 3Amp. This is the most efficient way of powering the module since the PMIC bypasses the regulator and supplies power to the module via an internal FET leading to lower quiescent current.

When powered from a LiPo battery alone, the power management IC switches off the internal regulator and supplies power to the system directly from the battery. This reduces the conduction losses and maximizes battery run time. The battery provided with the module is a Lithium-Ion Polymer battery rated at 3.7VDC 1,800mAh. You can substitute this battery with another 3.7V LiPo with higher current rating. Remember to never exceed this voltage rating and always pay attention

to the polarity of the connector. A LiPo battery with internal protection circuits is recommended.

Typical current consumption is around 180mA and up to 1.8A transients at 5VDC. In deep sleep mode, the quiescent current is 130uA [this value may change] (powered from the battery alone).

The MAX17043 fuel gauge is only compatible with single cell lithium-ion batteries. The state-of-charge (SoC) values will not be accurate with other battery chemistries.

VBUS

VBUS is connected to the USB detect pin of nRF52840 to enable the USB interface. The recommended input voltage range is between 4.35V to 5.5V DC. It is also connected to the bq24195 PMIC to allow for DPDM, detection of the power capacity of the USB port.

3V3 Pin

This pin is the output of the on-board 3.3V switching regulator that powers the microcontroller and the peripherals. This pin can be used as a 3.3V power source with a max load of 800mA. Unlike the Photon, this pin *CANNOT* be used as an input to power the module.

RTC_BAT

This is the supply to the real-time clock battery backup. 1.4 to 3.6V.

Voltage	Typical Current	Maximum Current	Unit
3.0V	56	330	nA
1.8V	52	290	nA

If the RTC battery is not used, connect RTC_BAT to ground.

GNSS_BAT

This is the supply for maintaining the u-blox GNSS ephemeris and almanac data when removing power. This can use the same battery as RTC_BAT, can be a super-capacitor, or can be omitted. 1.5 to 3.6V. Typical current is 15 uA.

If you are not powering GNSS_BAT with a battery or super-capacitor, connect GNSS_BAT to 3V3.

- Saving the ephemeris and almanac data can improve fix/lock time.
- It won't make a difference on completely cold boot, where there is no previously saved data.
- It does not make a difference if the GNSS is constantly powered or is using a software power save mode.

PMID

This pin is the output of the internal boost regulator of the PMIC that can source 5.1VDC from the battery in OTG (On The Go) mode. This feature is useful when your circuitry needs a 5V source from the module when powered by the battery alone.

The confusing bit about this pin is that it will continue to provide 5.1VDC but only when the input voltage (VIN) is between 3.6V to 5.1VDC. As soon as the input voltage exceeds this limit, the PMID starts tracking *that* voltage. For example if VIN = 9VDC, the PMID will be 9VDC and *NOT* 5.1VDC. So you need to be careful when using it as a source for powering your external circuitry. The max current draw on this pin is 2.1A but is not recommended due to thermal limitations of the circuit board.

ANTENNAS

There are a number of U.FL antenna connectors on the Tracker SoM:

Label	Purpose
GNSS	u-blox GNSS antenna (GPS)
CELL	Quectel cellular modem antenna
WIFI	Wi-Fi antenna for Wi-Fi geolocation (optional) ¹
BLE	External Bluetooth (optional) ²
GNSS/DIV	Quectel GNSS antenna (optional) ¹
DIV	LTE cellular receive diversity antenna ³

¹Not supported in initial release.

²There is a BLE chip antenna on the module, the external BLE antenna is optional.

³DIV is the connector for the LTE cellular receive diversity antenna (T523 only). A second cellular antenna can be connected to this connector to improve performance when the device will be moving at high speeds. It is only used for LTE Cat 1 connections and is not supported when in 2G or 3G mode. This antenna is not necessary in most cases and is not included in evaluation kits. The T402 does not have this connector as receive diversity is not supported in LTE Cat M1 mode.

There is no U.FL connector for NFC. If you wish to use the NFC tag feature, you'll need to add an antenna or antenna connector on your base board.

- The antenna placement needs to follow some basic rules, as any antenna is sensitive to its environment. Mount the antenna at least 10mm from metal components or surfaces, ideally 20mm for best radiation efficiency, and try to maintain a minimum of three directions free from obstructions to be able to operate effectively.
- Needs tuning with actual product enclosure and all components.
- For the BLE antenna, it is recommended to use a 2.4 GHz single-frequency antenna and not a 2.4 GHz + 5 GHz antenna, so as to avoid large gain at the frequency twice of 2.4 GHz which can cause the second harmonic radiation of 2.4 GHz to exceed standards.

GNSS Antenna

As the GNSS system is receive-only (no transmitter), you can use any GNSS compatible antenna without affecting the certification. Different GNSS systems use different frequencies. Many antennas are tuned to the United States GPS system, however you can also get multi-GNSS antennas that are compatible with other systems. All of these systems offer coverage world-wide.

System	Owner
GPS	United States
GLOSNASS	Russia
BeiDou	China
Galileo	European Space Agency

Cellular Antenna

The Tracker SoM has been certified with the following antenna:

Antenna	SKU	Details	Links
Particle Cellular Flex Antenna 2G/3G/LTE 4.7dBi, [x1]	ANTCW2EA	Tracker, B Series, E Series	Datasheet Retail Store
Band	Frequency (MHz)	Peak Gain	Average Gain
700/850/900	698-960	1.42 dBi	-2.80 dB
1700/1800/1900	1710-1990	3.77 dBi	-1.90 dB
2100	1755-2170	4.62 dBi	-2.65 dB
2400	2400-2500	4.71 dBi	-2.10 dB
2600	2500-2690	4.66 dBi	-2.20 dB
Measurement	Value		
Maximum power	5W		
Impedance	50Ω		
Size	97.0 x 21.0 x 0.2 mm		

Wi-Fi Antenna

The Tracker SoM has been certified with the following Wi-Fi antenna. Note: The same external antenna model is used for Wi-Fi and BLE.

Antenna	SKU	Links
Particle Wi-Fi Antenna 2.4GHz, [x1]	ANT-FLXV2	Datasheet Retail Store
Particle Wi-Fi Antenna 2.4GHz, [x50]	ANT-FLXV2-50	Datasheet

Measurement	Value
Peak gain	2.0 dBi
Frequency	2400 - 2500 MHz
Impedance	50Ω
Size	45.1 x 7.4 x 1.0mm

BLE Antenna

The Tracker SoM includes a built-in chip antenna for BLE with a peak gain of 0 dBi. It can also be used with the following external antenna, which is the same model as the Wi-Fi antenna, above.

Antenna	SKU	Links
Particle Wi-Fi Antenna 2.4GHz, [x1]	ANT-FLXV2	Datasheet Retail Store
Particle Wi-Fi Antenna 2.4GHz, [x50]	ANT-FLXV2-50	Datasheet

Measurement	Value
Peak gain	2.0 dBi
Frequency	2400 - 2500 MHz
Impedance	50Ω
Size	45.1 x 7.4 x 1.0mm

PERIPHERALS AND GPIO

There are 10 exposed GPIO lines labeled A0-A7, TX, and RX. These multi-function pins can be configured for use as GPIO or other interfaces like SPI and I2C.

Shared Peripherals	Qty	Input(I) / Output(O)
Digital	10 (max)	I/O
Analog (ADC)	8 (max)	I
UART	1	I/O
SPI	1	I/O
I2C	1	I/O
PWM	10 (max) ¹	O

Peripheral Type	Qty	Input(I) / Output(O)
USB	1	I/O
NFC Tag	1	O
CAN Bus	1	I/O

¹PWM is divided into three PWM groups. Each group must share the same frequency, but can have different periods.

Note: All GPIO are only rated at 3.3VDC max. CAN bus has a [higher voltage rating](#).

JTAG (SWD)

The AssetTracker SoM exposes the nRF52 SWD interface on the following pins. The Evaluation Board connects these pins to the 2x5 connector used on the Argon and Boron to easily connect the Particle Debugger.

#	Pin	Function	Connected To	Description
22	SWDIO	JTAG	nRF52	nRF52 MCU SWDIO
23	SWDCLK	JTAG	nRF52	nRF52 MCU SWDCLK
24	SWO	JTAG	nRF52	nRF52 MCU SWO

This interface can be used to debug your code or reprogram your bootloader, device OS, or the user firmware.

Memory map

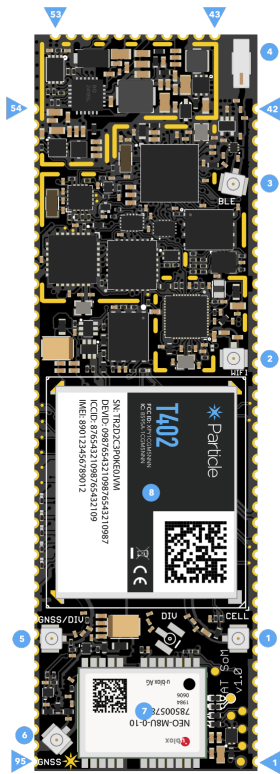
NRF52840 FLASH LAYOUT OVERVIEW

- Bootloader (48KB, @0xF4000)
- User Application (128KB, @0xD4000)
- System (656KB, @0x30000)
- SoftDevice (192KB)

EXTERNAL SPI FLASH LAYOUT OVERVIEW (DFU OFFSET: 0X80000000)

- OTA (1500KB, @0x00689000)
- Reserved (420KB, @0x00620000)
- FAC (128KB, @0x00600000)
- Reserved (2MB @0x00400000)
- LittleFS (4MB, @0x00000000)

Pins and connectors



Circular labels are as follows:

Label	Purpose
1	Quectel cellular modem antenna
2	Wi-Fi antenna for Wi-Fi geolocation (optional)
3	External Bluetooth (optional)
4	Built-in Bluetooth chip antenna
5	Quectel GNSS antenna (optional)
6	u-blox GNSS antenna (GPS)
7	u-blox Neo M8 GNSS (GPS)
8	Quectel cellular modem

SOM PIN DESCRIPTION

#	Pin	Function	Connected To	Description
				Right Side
1	GND	POWER		Ground
2	GNSS_BAT	POWER IN	GNSS	Battery backup for GNSS
3	GNSS_RESET	IO	GNSS & IOEX	GNSS hardware reset. Can be controlled by this pin or software.
4	GNSS_VBUS	USB PWR	GNSS	GNSS USB power. Optional.
5	GNSS_P	USB D+	GNSS	GNSS USB interface D+. Optional.
6	GNSS_N	USB D-	GNSS	GNSS USB interface D-. Optional.
7	GNSS_PULSE	OUT	GNSS	GNSS time pulse output. Can be used for a GNSS fix LED. ²
8	GND	POWER		Ground
9	NC			Leave unconnected.
10	GND	POWER		Ground
11	WIFI_EN	IO	WIFI & IOEX	ESP32 enable. Can be controlled by this pin or software.
12	WIFI_BOOT	IO	WIFI & IOEX	ESP32 boot mode. Can be controlled by this pin or software.
13	WIFI_TXD	OUT	WIFI	ESP32 serial TX
14	WIFI_RXD	IN	WIFI	ESP32 serial TX
15	CELL_VBUS	USB PWR	CELL	Cellular modem USB power. Optional.
16	CELL_D+	USB D+	CELL	Cellular modem USB interface D+. Optional.
17	CELL-D-	USB D-	CELL	Cellular modem USB interface D-. Optional.
18	NC SOM18			Leave unconnected.
19	NC SOM19			Leave unconnected.
20	NC SOM20			Leave unconnected.
21	NC SOM21			Leave unconnected.
22	SWDIO	JTAG	nRF52	nRF52 MCU SWDIO
23	SWDCLK	JTAG	nRF52	nRF52 MCU SWDCLK
24	SWO	JTAG	nRF52	nRF52 MCU SWO
25	GND	POWER		Ground
26	NFC2	NFC	nRF52	nRF52 NFC antenna. Supports NFC tag mode only. Optional.
27	NFC1	NFC	nRF52	nRF52 NFC antenna. Supports NFC tag mode only. Optional.
28	RGB_BLUE	RGB LED	nRF52	Common anode RGB status LED, blue. Optional.
29	RGB_GREEN	RGB LED	nRF52	Common anode RGB status LED, green. Optional.
30	RGB_RED	RGB LED	nRF52	Common anode RGB status LED, red. Optional.
31	GND	POWER		Ground
32	MODE	INPUT	nRF52	External MODE button input, active low. Optional.
33	RESET	INPUT	nRF52	External RESET button input, active low. Optional.
34	NC SOM34			Leave unconnected.
35	NC SOM35			Leave unconnected.
36	NC SOM36			Leave unconnected.
37	NC SOM37			Leave unconnected.
38	A7	IO	nRF52	A7, D7, SS, WKP
39	A6	IO	nRF52	A6, D6, SPI SCK
40	A5	IO	nRF52	A5, D5, SPI MISO

41	A4	IO	nRF52	A4, D4, SPI MOSI
42	GND	POWER		Ground
				Top Side
43	GND	POWER		Ground
44	NC SOM44			Leave unconnected.
45	3V3	POWER OUT	TPS62291	3.3V power output. 1000 mA maximum include nRF52 and other peripheral use.
46	TS	IN	PMIC	Battery temperature sensor
47	PMID	POWER OUT	PMIC	PMIC power output in OTG mode.
48	GND	POWER		Ground
49	VIN	POWER IN	PMIC	Power input 3.9VDC to 17VDC.
50	STAT	OUT	PMIC	PMIC charge status. Can be connected to an LED. Active low. Optional.
51	VBUS	POWER IN	PMIC & nRF52	nRF52 USB power input. Can be used as a power supply instead of VIN.
52	GND	POWER		Ground
53	LI+	POWER	PMIC	Connect to Li-Po battery. Can power the device or be recharged by VIN or VBUS.
				Left Side
54	GND	POWER		Ground
55	A0	IO	nRF52	A0, D0, Wire SDA, Thermistor ¹
56	A1	IO	nRF52	A1, D1, Wire SCL, User button ¹
57	A2	IO	nRF52	A2, D2, Serial1 CTS, GNSS lock indicator ¹
58	A3	IO	nRF52	A3, D3, Serial1 RTS, M8 GPIO ¹
59	NC SOM59			Leave unconnected.
60	NC SOM60			Leave unconnected.
61	NC SOM61			Leave unconnected.
62	NC SOM62			Leave unconnected.
63	AGND	POWER	nRF52	nRF52 analog ground. Can connect to regular GND.
64	CAN_N	CAN	CAN	CAN Data-
65	CAN_P	CAN	CAN	CAN Data+
66	CAN_5V		XCL9142F40	5V power out, 0.8A maximum. Can be controlled by software.
67	GND	POWER		Ground
68	MCU-D-	USB D-	nRF52	MCU USB interface D-. Optional.
69	MCU_D+	USB D+	nRF52	MCU USB interface D+. Optional.
70	GND	POWER		Ground
71	MCU_RX	IO	nRF52	Serial RX, GPIO D9, Wire3 SDA
72	MCU_TX	IO	nRF52	Serial TX, GPIO D8, Wire3 SCL
73	RTC_BAT	POWER	AM18X5	RTC/Watchdog battery +. Connect to GND if not using.
74	RTC_BTN	IN	AM18X5	RTC EXTI. Can use as a wake button.
75	GND	POWER		Ground
76	NC SOM76			Leave unconnected.
77	NC SOM77			Leave unconnected.
78	NC SOM78			Leave unconnected.
79	NC SOM79			Leave unconnected.

80	NC SOM80			Leave unconnected.
81	NC SOM81			Leave unconnected.
82	NC SOM82			Leave unconnected.
83	CELL_GPS_RX	IN	CELL	Cellular modem GPS serial RX data.
84	CELL_GPS_TX	OUT	CELL	Cellular modem GPS serial TX data.
85	CELL_RI	OUT	CELL	Cellular modem ring indicator output.
86	GND	POWER		Ground
87	CELL_GPS_RF	RF	CELL	Cellular modem GPS antenna. Optional.
88	GND	POWER		Ground
89	GND	POWER		Ground
90	GNSS_BOOT		GNSS	u-blox GNSS boot mode
91	GNSS_ANT_PWR		GNSS	u-blox GNSS antenna power
92	GNSS_LNA_EN		GNSS	u-blox GNSS LNA enable or antenna switch
93	GND	POWER		Ground
94	GNSS_RF		GNSS	GNSS antenna.
95	GND	POWER		Ground

Note: All GPIO, ADC, and peripherals such as I2C, Serial, and SPI are 3.3V maximum and are **not** 5V tolerant.

Pin numbers match the triangular numbers in the graphic above.

¹Pin usage on the Tracker One.

²The GNSS_PULSE pin can be used for a hardware GPS lock indicator, however the Tracker One controls the GNSS Lock indicator in software and connects the LED to pin A2.

NRF52 PIN ASSIGNMENTS

SoM Pin	GPIO	Analog	Other	PWM	nRF Pin
55	D0	A0	Wire SDA ¹	Group 0	P0.03
56	D1	A1	Wire SCL ¹	Group 0	P0.02
57	D2	A2	Serial1 CTS	Group 0	P0.28
58	D3	A3	Serial1 RTS	Group 0	P0.30
41	D4	A4	SPI MOSI	Group 1	P0.31
40	D5	A5	SPI MISO	Group 1	P0.29
39	D6	A6	SPI SCK	Group 1	P0.04
38	D7	A7	SPI SS, WKP	Group 1	P0.05
72	D8		Serial1 TX, Wire3 SCL	Group 2	P0.06
71	D9		Serial1 RX, Wire3 SDA	Group 2	P0.08

¹Pull-up resistors are not included. When using as an I2C port, external pull-up resistors are required.

System peripheral GPIO

Name	Description	Location
BTN	MODE Button	P1.13
PMIC_INT	PMIC Interrupt	P0.26
LOW_BAT_UC	Fuel Gauge Interrupt	IOEX 0.0
RTC_INT	Real-time clock Interrupt	P0.27
BGRST	Cellular module reset	P0.7
BGPWR	Cellular module power	P0.8
BGVINT	Cellular power on detect	P1.14
BGDTR	Cellular module DTR	IOEX 1.5
CAN_INT	CAN interrupt	P1.9
CAN_RST	CAN reset	IOEX 1.6
CAN_PWR	5V boost converter enable	IOEX 1.7
CAN_STBY	CAN standby mode	IOEX 0.2
CAN_RTS0	CAN RTS0	IOEX 1.4
CAN_RTS1	CAN RTS1	IOEX 1.2
CAN_RTS2	CAN RTS2	IOEX 1.3
SEN_INT	IMU interrupt	P1.7
ANT_SW1	BLE antenna switch	P1.15
GPS_PWR	u-blox GNSS power	IOEX 0.6
GPS_INT	u-blox GNSS interrupt	IOEX 0.7
GPS_BOOT	u-blox GNSS boot mode	IOEX 1.0
GPS_RST	u-blox GNSS reset	IOEX 1.1
WIFLEN	ESP32 enable	IOEX 0.3
WIFL_INT	ESP32 interrupt	IOEX 0.4
WIFI_BOOT	ESP32 boot mode	IOEX 0.5

STATUS LED

The Tracker SoM does not have an on-module RGB system status LED. We have provided its individual control pins for you to connect an LED of your liking. This will allow greater flexibility in the end design of your products.

Device OS assumes a common anode RGB LED. One common LED that meets the requirements is the [Cree CLMVC-FKA-CL1D1L71BB7C3C3](#) which is inexpensive and easily procured. You need to add three current limiting resistors. With this LED, we typically use 1K ohm current limiting resistors. These are much larger than necessary. They make the LED less blinding but still provide sufficient current to light the LEDs. If you want maximum brightness you should use the calculated values - 33 ohm on red, and 66 ohm on green and blue.

A detailed explanation of different color codes of the RGB system LED can be found [here](#).

Technical specifications

ABSOLUTE MAXIMUM RATINGS

Parameter	Symbol	Min	Typ	Max	Unit
Supply					
Supply Input Voltage	V _{IN}	-2.0		+22.0	V
Supply Input Current	I _{IN-MAX-L}			1.5	A
VBUS USB supply voltage	V _{USB}	-0.3		+5.8	V
Supply Output Voltage	V _{IN}		+4.8		V
Supply Output Voltage	V _{3V3}		+3.3		V
Supply Output Current	I _{3V3-MAX-L}			800	mA
LiPo Battery Voltage	V _{LiPo}	-0.5		+6.0	V
CAN Supply Voltage		5		V	
CAN Supply Current			400		mA
I/O pin voltage					
V _{I/O}	I _O	-0.3		+3.6	V
NFC antenna pin current					
I _{NFC1/2}	NFC1/NFC2			80	mA
Radio					
BT RF input level (52840)				10	dBm
Environmental					
Storage temperature		-40		+85	°C
ESD Susceptibility HBM (Human Body Mode)	V _{ESD}			2	kV

Stresses beyond those listed under absolute maximum ratings may cause permanent damage to the device. These are stress ratings only, and functional operation of the device at these or any other conditions beyond those indicated under recommended operating conditions is not implied. Exposure to absolute-maximum-rated conditions for extended periods may affect device reliability.

RECOMMENDED OPERATING CONDITIONS

Parameter	Symbol	Min	Typ	Max	Unit
Supply voltages					
Supply Input Voltage	VIN	3.9		17.0	V
VBUS USB supply voltage	VUSB	4.35	5.0	5.5	V
LiPo Battery Voltage	V _{LiPo}	3.6		4.3	V
Environmental					
Normal operating temperature ¹		-20	+25	+75 ³	°C
Extended operating temperature ²		-40		+85	°C
Humidity Range Non condensing, relative humidity				95	%

Notes:

¹ Normal operating temperature range (fully functional and meet 3GPP specifications).

² Extended operating temperature range (RF performance may be affected outside normal operating range, though module is fully functional)

³ The maximum operating temperature is 75°C on the B523 (Quectel) but is 65°C on the B402 (u-blox LTE M1). For compatibility across modules, limit this to 65°C.

POWER CONSUMPTION (T402)

Parameter	Symbol	Min	Typ	Max	Unit
Operating Current (uC on, peripherals and radio disabled)	I _{idle}	3.35	3.38	4.39	mA
Operating Current (uC on, cellular on but not connected)	I _{cell_idle}		21.3	277	mA
Operating Current (uC on, cellular connecting to tower)	I _{cell_conn_twr}	16.8	56.7	329	mA
Operating Current (uC on, cellular connecting to cloud)	I _{cell_conn_cloud}	19.1	53.3	292	mA
Operating Current (uC on, cellular connected but idle)	I _{cell_cloud_idle}	19.2	21.2	97.1	mA
Operating Current (uC on, cellular connected and transmitting)	I _{cell_cloud_tx}	19.5	63.6	280	mA
STOP mode sleep, GPIO wake-up	I _{stop_gpio}	556	806	1170	uA
STOP mode sleep, analog wake-up	I _{stop_analog}	588	831	1230	uA
STOP mode sleep, RTC wake-up	I _{stop_intrtc}	593	835	1240	uA
STOP mode sleep, BLE wake-up, advertising	I _{stop_ble_adv}		858	2330	uA
STOP mode sleep, BLE wake-up, connected	I _{stop_ble_conn}		875	1600	uA
STOP mode sleep, serial wake-up	I _{stop_usart}	577	798	1210	uA
STOP mode sleep, cellular wake-up	I _{stop_cell}	7.66	17.2	90.1	mA
STOP mode sleep, IMU wake-up	I _{stop_imu}	548	834	1250	uA
STOP mode sleep, CAN wake-up	I _{stop_can}	605	817	1210	uA
STOP mode sleep, GPS wake-up	I _{stop_gps}	23.7	31.1	46.3	mA
ULP mode sleep, GPIO wake-up	I _{ulp_gpio}		114	479	uA
ULP mode sleep, analog wake-up	I _{ulp_analog}		117	508	uA
ULP mode sleep, RTC wake-up	I _{ulp_intrtc}		114	509	uA
ULP mode sleep, BLE wake-up, advertising	I _{ulp_ble_adv}		186	2200	uA
ULP mode sleep, BLE wake-up, connected	I _{ulp_ble_conn}		203	1070	uA
ULP mode sleep, serial wake-up	I _{ulp_usart}	287	530	934	uA
ULP mode sleep, cellular wake-up	I _{ulp_cell}	3.06	16.9	83.4	mA
ULP mode sleep, IMU wake-up	I _{imu_imu}		175	616	uA
ULP mode sleep, CAN wake-up	I _{can_can}		142	528	uA
ULP mode sleep, GPS wake-up	I _{ulp_gps}	23.6	30.9	45.7	mA
HIBERNATE mode sleep, GPIO wake-up	I _{hib_gpio}		103	503	uA
HIBERNATE mode sleep, analog wake-up	I _{hib_analog}		100	493	uA
HIBERNATE mode sleep, external RTC wake-up	I _{hib_extrtc}		94.3	590	uA
HIBERNATE mode sleep, IMU wake-up	I _{hib_imu}		151	590	uA
HIBERNATE mode sleep, CAN wake-up	I _{hib_can}		121	477	uA

POWER CONSUMPTION (T523)

Parameter	Symbol	Min	Typ	Max	Unit
Operating Current (uC on, peripherals and radio disabled)	I _{idle}	3.22	3.24	3.26	mA
Operating Current (uC on, cellular on but not connected)	I _{cell_idle}	18.9	22.0	136	mA
Operating Current (uC on, cellular connecting to tower)	I _{cell_conn_twr}	35.5	106	726	mA
Operating Current (uC on, cellular connecting to cloud)	I _{cell_conn_cloud}	38.0	137	553	mA
Operating Current (uC on, cellular connected but idle)	I _{cell_cloud_idle}	19.2	21.2	97.1	mA
Operating Current (uC on, cellular connected and transmitting)	I _{cell_cloud_tx}	117	145	787	mA
STOP mode sleep, GPIO wake-up	I _{stop_gpio}	625	872	1270	uA
STOP mode sleep, analog wake-up	I _{stop_analog}	655	853	1210	uA
STOP mode sleep, RTC wake-up	I _{stop_intrtc}	632	873	1260	uA
STOP mode sleep, BLE wake-up, advertising	I _{stop_ble_adv}		919	2700	uA
STOP mode sleep, BLE wake-up, connected	I _{stop_ble_conn}	421	901	1680	uA
STOP mode sleep, serial wake-up	I _{stop_usart}	613	840	1240	uA
STOP mode sleep, cellular wake-up	I _{stop_cell}	19.2	21.5	149	mA
STOP mode sleep, IMU wake-up	I _{stop_imu}	584	858	1250	uA
STOP mode sleep, CAN wake-up	I _{stop_can}	622	869	1280	uA
STOP mode sleep, GPS wake-up	I _{stop_gps}	23.8	30.8	44.7	mA
ULP mode sleep, GPIO wake-up	I _{ulp_gpio}	130	139	540	uA
ULP mode sleep, analog wake-up	I _{ulp_analog}	132	140	542	uA
ULP mode sleep, RTC wake-up	I _{ulp_intrtc}	131	139	531	uA
ULP mode sleep, BLE wake-up, advertising	I _{ulp_ble_adv}	132	214	2240	uA
ULP mode sleep, BLE wake-up, connected	I _{ulp_ble_conn}		230	1110	uA
ULP mode sleep, serial wake-up	I _{ulp_usart}	366	564	933	uA
ULP mode sleep, cellular wake-up	I _{ulp_cell}	18.9	21.7	210	mA
ULP mode sleep, IMU wake-up	I _{imu_imu}		172	580	uA
ULP mode sleep, CAN wake-up	I _{can_can}		162	513	uA
ULP mode sleep, GPS wake-up	I _{ulp_gps}	23.1	30.2	44.6	mA
HIBERNATE mode sleep, GPIO wake-up	I _{hib_gpio}		111	474	uA
HIBERNATE mode sleep, analog wake-up	I _{hib_analog}		114	521	uA
HIBERNATE mode sleep, external RTC wake-up	I _{hib_extrtc}		111	478	uA
HIBERNATE mode sleep, IMU wake-up	I _{hib_imu}		144	580	uA
HIBERNATE mode sleep, CAN wake-up	I _{hib_can}	8.76	133	386	uA

GNSS SPECIFICATIONS

- u-blox NEO-M8U untethered dead reckoning module including 3D inertial sensors
- SPI Interface
- Supports GPS L1C/A, SBAS L1C/A, QZSS L1C/A, QZSS L1-SAIF, GLONASS L1OF, BeiDou B1I, and Galileo E1B/C

Parameter	Specification
Dynamics operational limit ¹	≤ 4g
Altitude operational limit ¹	50000 m
Velocity operational limit ¹	500 m/s
Velocity accuracy ²	0.5 m/s
Heading accuracy ²	1 degree
Max navigation update rate ³	30 Hz
Max navigation latency ³	< 10 ms

Parameter		GPS & GLONASS				
		GLONASS	GPS	GLONASS	BeiDou	Galileo
Time-To-First Fix ⁵	Cold start	26s	30s	31s	39s	57s
	Hot start	1.5s	1.5s	1.5s	15s	1.5s
	Aided start ⁶	3s	3s	3s	7s	7s
Sensitivity ⁷⁸	Tracking & Navigation	-160 dBm	-160 dBm	-157 dBm	-160 dBm	-154 dBm
	Reacquisition	-160 dBm	-159 dBm	-156 dBm	-155 dBm	-152 dBm
	Cold Start	-148 dBm	-147 dBm	-145 dBm	-143 dBm	-133 dBm
	Hot Start	-157 dBm	-156 dBm	-155 dBm	-155 dBm	-151 dBm
Horizontal positioning accuracy	Autonomous ⁹	2.5m	2.5m	4.0m	3.0m	TBC ¹⁰
	With SBAS ¹¹	1.5m	1.5m	-	-	-
Altitude accuracy	With SBAS ¹²	3.5m	3.0m	7.0m	5.0m	-

¹ Configured for Airborne < 4g platform

² 50% at 30 m/s

³ High navigation rate mode

⁵ All satellites at -130 dBm, except Galileo at -127 dBm

⁶ Dependent on aiding data connection speed and latency

⁷ Demonstrated with a good external LNA

⁸ Configured min. CNO of 6 dB/Hz, limited by FW with min. CNO of 20 dB/Hz for best performance

⁹ CEP, 50%, 24 hours static, -130 dBm, > 6 SVs

¹⁰ To be confirmed when Galileo reaches full operational capability

¹¹ CEP, 50%, 24 hours static, -130 dBm, > 6 SVs

¹² CEP, 50%, 24 hours static, -130 dBm, > 6 SVs

GNSS GPIO:

Name	Description	Location
GPS_PWR	u-blox GNSS power	IOEX 0.6
GPS_INT	u-blox GNSS interrupt	IOEX 0.7
GPS_BOOT	u-blox GNSS boot mode	IOEX 1.0
GPS_RST	u-blox GNSS reset	IOEX 1.1
GPS_CS	CAN SPI Chip Select	CS Decoder 4

CAN SPECIFICATIONS

- Microchip MCP25625 CAN Controller with Integrated Transceiver
- SPI Interface
- Implements CAN2.0B (ISO11898-1)
- Implements ISO-11898-2 and ISO-11898-5 standard physical layer requirements
- Up to 1 Mb/sec operation
- 3 transmit buffers with prioritization and abort features
- 2 receive buffers
- 6 filters and 2 masks with optional filtering on the first 2 data bytes
- CAN bus pins are disconnected when device is unpowered
- High-ESD protection on CANH and CANL, meets IEC61000-4-2 up to ± 8 kV
- Very low standby current, 10 μ A, typical
- 5V step-up converter (XCL9142F40CER), 400 mA maximum
- CAN terminator resistor is not included

CAN GPIO:

Name	Description	Location
CAN_INT	CAN interrupt	P1.9
CAN_RST	CAN reset (LOW = reset for 100 milliseconds)	IOEX 1.6
CAN_PWR	5V boost converter enable (HIGH = on)	IOEX 1.7
CAN_STBY	CAN standby mode (HIGH = standby)	IOEX 0.2
CAN_RTS0	CAN RTS0	IOEX 1.4
CAN_RTS1	CAN RTS1	IOEX 1.2
CAN_RTS2	CAN RTS2	IOEX 1.3
CAN_CS	CAN SPI Chip Select	CS Decoder 7

CANH, CANL Absolute Maximum Ratings:

Parameter	Maximum
DC Voltage at CANH, CANL	-58V to +58V
Transient Voltage on CANH, CANL (ISO-7637)	-150V to +100V
ESD Protection on CANH and CANL Pins (IEC 61000-4-2)	± 8 kV
ESD Protection on CANH and CANL Pins (IEC 801; Human Body Model)	± 8 kV

CAN Transceiver Characteristics

Parameter	Symbol	Min	Typ	Max	Unit	Conditions
Supply Input Voltage	V_{DDA}		5.0		V	
Supply Current	I_{DD}		5	10	mA	Recessive; $V_{TXD} = V_{DDA}$
			45	70	mA	Dominant; $V_{TXD} = 0V$
Standby Current	I_{DDS}		5	15	μ A	Includes I_{IO}
CANH, CANL Recessive Bus Output Voltage	$V_{O(R)}$	2.0	2.5	3.0	V	$V_{TXD} = V_{DDA}$
CANH, CANL Bus Output Voltage in Standby	$V_{O(S)}$	-0.1	0.0	+0.1	V	STBY = $V_{TXD} = V_{DDA}$; No load
Recessive Output Current	$I_{O(R)}$	-5		+5	mA	$-24V < V_{CAN} < +24V$
CANH: Dominant Output Voltage	$V_{O(D)}$	2.75	3.5	4.5	V	$T_{XD} = 0$; $R_L = 50$ to 65Ω
CANL: Dominant Output Voltage	$V_{O(D)}$	0.5	1.5	2.25	V	$R_L = 50$ to 65Ω
Dominant: Differential Output Voltage	$V_{O(DIFF)}$	1.5	2.0	3.0	V	$T_{XD} = V_{SS}$; $R_L = 50$ to 65Ω

Recessive: Differential Output Voltage		-120	0	12	mV	$T_{XD} = V_{DDA}; R_L = 50 \text{ to } 65\Omega$
		-500	0	50	mV	$T_{XD} = V_{DDA}; \text{No load}$
CANH: Short-Circuit Output Current	$I_{O(SC)}$	-120	85		mA	$V_{TXD} = V_{SS}; V_{CANH} = 0V; \text{CANL: floating}$
CANL: Short-Circuit Output Current			75	120	mA	$V_{TXD} = V_{SS}; V_{CANL} = 18V; \text{CANH: floating}$
Recessive Differential Input Voltage	$V_{DIFF(R)}^{(I)}$	-1.0		+0.5	V	Normal mode; $-12V < V_{(CANH, CANL)} < +12V$
		-1.0		+0.4	V	Standby mode; $-12V < V_{(CANH, CANL)} < +12V$
Dominant Differential Input Voltage	$V_{DIFF(D)}^{(I)}$	0.9		5.0	V	Normal mode; $-12V < V_{(CANH, CANL)} < +12V$
		1.0		5.0	V	Standby mode; $-12V < V_{(CANH, CANL)} < +12V$

IMU (Inertial Measurement Unit)

- Bosch Sensortec BMI160
- SPI Interface connected to SPI1 (MISO1, MOSI1, SCK1)
- Chip Select: SEN_CS (CS Decoder 2)
- Can wake nRF52 MCU on movement (SEN_INT1)

- 16 bit digital, triaxial accelerometer and triaxial gyroscope
- Very low power consumption: typically 925 μ A with accelerometer and gyroscope in full operation
- Allocatable FIFO buffer of 1024 bytes (capable of handling external sensor data)
- Hardware sensor time-stamps for accurate sensor data fusion
- Integrated interrupts for enhanced autonomous motion detection

PMIC

- Texas Instruments bq24195
- I2C interface (Wire1 address 0x6B)
- Can interrupt nRF52 MCU on charge status and fault

- Handles switching between USB, VIN, and battery power
- LiPo battery charger
- Charge safety timer, thermal regulation, and thermal shutdown

Fuel Gauge

- MAX17043
- I2C interface (Wire1 address 0x36)
- Can interrupt nRF52 MCU on low battery

- Fuel-gauge system for single cell lithium-ion (Li+) batteries
- Precision voltage measurement ± 12.5 mV Accuracy to 5V
- Accurate relative capacity (RSOC) Ccalculated from ModelGauge algorithm
- No offset accumulation on measurement
- No full-to-empty battery relearning necessary

RTC/Watchdog

- Ambiq Micro AM18X5 Real-Time Clock with Power Management
- 55 nA power consumption
- Crystal oscillator
- I2C interface (Wire1 address 0x68)
- Can wake MCU from hibernate (SLEEP_MODE_DEEP) at a specific time using RTC_INT.
- Programmable hardware watchdog
- RTC powered by XC6504 ultra-low consumption regulator so the main TPS62291 can be shut down from RTC

Wi-Fi Geolocation

The Wi-Fi module is intended for Wi-Fi geolocation only. It cannot be used as a network interface instead of using cellular. An external service provider such as the Google Geolocation Service is required for mapping Wi-Fi networks to a location.

- ESP32-D2WD
- SPI Interface
- Connected to SPI1 (MISO1, MOSI1, SCK1)
- Chip Select: WIFI_CS (CS Decoder 3)
- Interrupt: ESP32 IO4 is connected to MCP23S17 I/O Expander GPA4.

The SoM connector has several pins dedicated to Wi-Fi:

#	Pin	Function	Connected To	Description
11	WIFI_EN	IO	WIFI & IOEX	ESP32 enable. Can be controlled by this pin or software.
12	WIFI_BOOT	IO	WIFI & IOEX	ESP32 boot mode. Can be controlled by this pin or software.
13	WIFI_TXD	OUT	WIFI	ESP32 serial TX
14	WIFI_RXD	IN	WIFI	ESP32 serial TX

The WIFI_EN pin turns on the Wi-Fi module. LOW=Off, HIGH=On. The default is off (with a 100K weak pull-down). It can be turned on from Pin 11 on the SoM connection, or in software from the MCP23S17 I/O Expander 0.3.

The WIFI_BOOT pin enables programming mode.

3.3V Regulator

- Texas Instruments TPS62291
- 1.0A at 3.3V
- Powers nRF52840 MCU and ESP32 Wi-Fi module
- Can be used by your base board to power 3.3V components
- 3.3V supply can be powered down from the RTC/Watchdog

RADIO SPECIFICATIONS

nRF52840

- Bluetooth® 5, 2.4 GHz
 - 95 dBm sensitivity in 1 Mbps Bluetooth® low energy mode
 - 103 dBm sensitivity in 125 kbps Bluetooth® low energy mode (long range)
 - 20 to +8 dBm TX power, configurable in 4 dB steps

4G LTE cellular characteristics for EG91-EX

Parameter	Value
Protocol stack	3GPP Release 13
RAT	LTE Cat 1
LTE FDD Bands	Band 28 (700 MHz)
	Band 20 (800 MHz)
	Band 8 (900 MHz)
	Band 3 (1800 MHz)
	Band 1 (2100 MHz)

	Band 7 (2600 MHz)
WCDMA Bands	Band 8 (900 MHz)
	Band 1 (2100)
GSM Bands	EGSM900 (900 MHz)
	DCS1800 (1800 MHz)
Power class	Class 4 (33dBm \pm 2dB) for EGSM900
	Class 1 (30dBm \pm 2dB) for DCS1800
	Class E2 (27dBm \pm 3dB) for EGSM900 8-PSK
	Class E2 (26dBm \pm 3dB) for DCS1800 8-PSK
	Class 3 (24dBm \pm 3dB) for WCDMA bands
	Class 3 (23dBm \pm 2dB) for LTE FDD bands

4G LTE cellular characteristics for BG96-MC

Parameter	Value
Protocol stack	3GPP Release 13
RAT	LTE Cat M1
	EGPRS
LTE FDD Bands	Band 12 (700 MHz)
	Band 13 (700 MHz)
	Band 14 (700 MHz)
	Band 5 (850 MHz)
	Band 26 (850 MHz)
	Band 4 (1700 MHz)
	Band 2 (1900 MHz)
	Band 25 (1900 MHz)
GSM Bands	EGSM850 (850 MHz)
	DCS1900 (1900 MHz)

ESP32

Espressif Systems ESP32 for Wi-Fi geolocation:

Feature	Description
WLAN Standards	IEEE 802.11b/g/n
Antenna Port	Single Antenna
Frequency Band	2412 to 2484 MHz

I/O CHARACTERISTICS

These specifications are based on the nRF52840 datasheet.

Symbol	Parameter	Min	Typ	Max	Unit
VIH	Input high voltage	0.7 xVDD		VDD	V
VIL	Input low voltage	VSS		0.3 xVDD	V
VOH,SD	Output high voltage, standard drive, 0.5 mA, VDD ≥1.7	VDD - 0.4		VDD	V
VOH,HDH	Output high voltage, high drive, 5 mA, VDD ≥ 2.7 V	VDD - 0.4		VDD	V
VOH,HDL	Output high voltage, high drive, 3 mA, VDD ≥ 1.7 V	VDD - 0.4		VDD	V
VOL,SD	Output low voltage, standard drive, 0.5 mA, VDD ≥1.7	VSS		VSS + 0.4	V
VOL,HDH	Output low voltage, high drive, 5 mA, VDD ≥ 2.7 V	VSS		VSS + 0.4	V
VOL,HDL	Output low voltage, high drive, 3 mA, VDD ≥ 1.7 V	VSS		VSS + 0.4	V
IOL,SD	Current at VSS+0.4 V, output set low, standard drive, VDD ≥1.7	1	2	4	mA
IOL,HDH	Current at VSS+0.4 V, output set low, high drive, VDD ≥ 2.7V	6	10	15	mA
IOL,HDL	Current at VSS+0.4 V, output set low, high drive, VDD ≥ 1.7V	3			mA
IOH,SD	Current at VDD-0.4 V, output set high, standard drive, VDD ≥1.7	1	2	4	mA
IOH,HDH	Current at VDD-0.4 V, output set high, high drive, VDD ≥ 2.7V	6	9	14	mA
IOH,HDL	Current at VDD-0.4 V, output set high, high drive, VDD ≥ 1.7V	3			mA
tRF,15pF	Rise/fall time, standard drivemode, 10-90%, 15 pF load ¹		9		ns
tRF,25pF	Rise/fall time, standard drive mode, 10-90%, 25 pF load ¹		13		ns
tRF,50pF	Rise/fall time, standard drive mode, 10-90%, 50 pF load ¹		25		ns
tHRF,15pF	Rise/Fall time, high drive mode, 10-90%, 15 pF load ¹		4		ns
tHRF,25pF	Rise/Fall time, high drive mode, 10-90%, 25 pF load ¹		5		ns
tHRF,50pF	Rise/Fall time, high drive mode, 10-90%, 50 pF load ¹		8		ns
RPU	Pull-up resistance	11	13	16	kΩ
RPD	Pull-down resistance	11	13	16	kΩ
CPAD	Pad capacitance		3		pF
CPAD_NFC	Pad capacitance on NFC pads		4		pF
INFC_LEAK	Leakage current between NFC pads when driven to different states		1	10	μA

- Rise and fall times based on simulations
- GPIO default to standard drive (2mA) but can be reconfigured to high drive (9mA) in Device OS 2.0.0 and later using the `pinSetDriveStrength()` function.

Mechanical specifications

DIMENSIONS AND WEIGHT

Parameter	Value	Units
Width	28	mm
Length	93	mm
Thickness	4	mm
Weight		g

Weight will be provided at a later date.

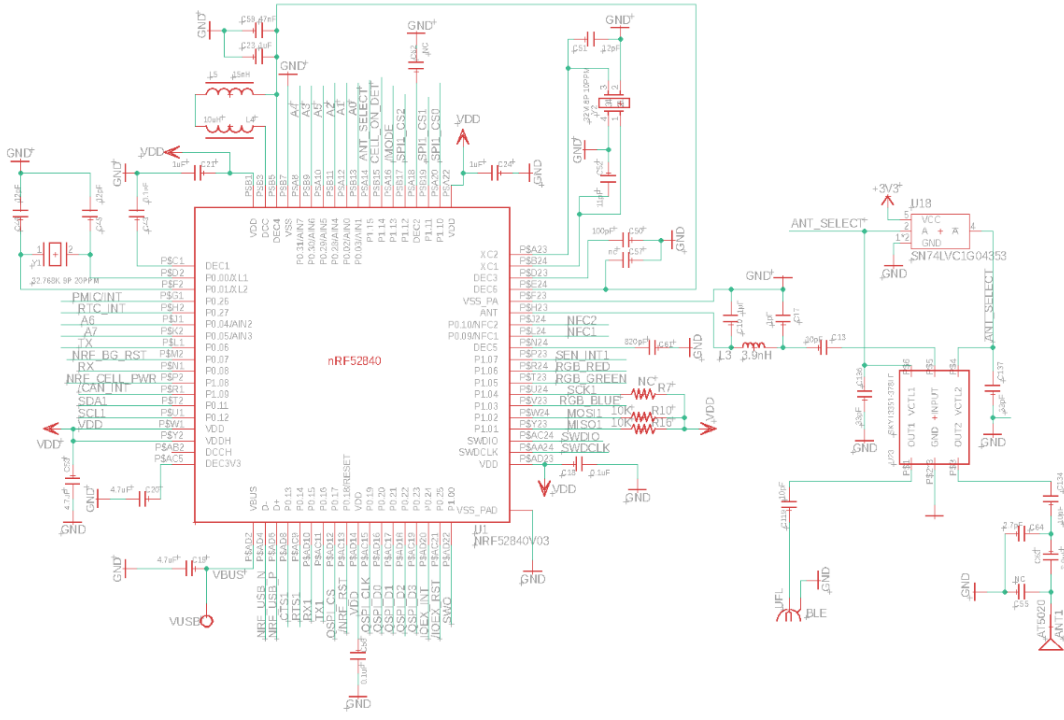
MECHANICAL DRAWING

Will be provided at a later date.

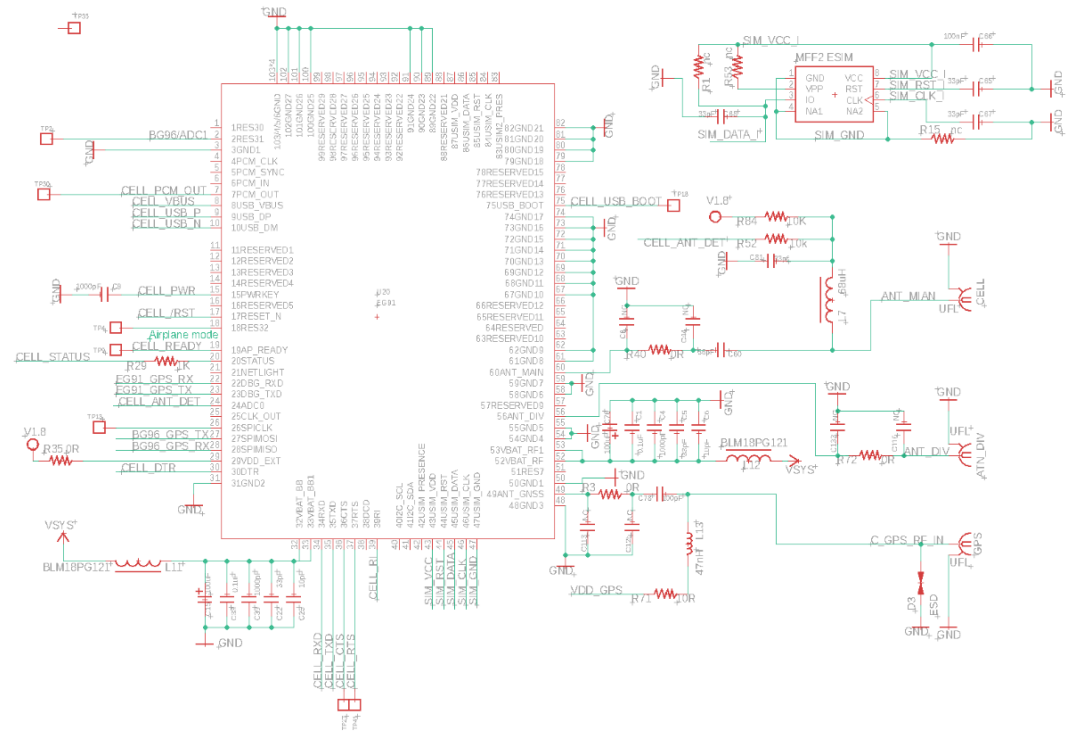
Dimensions are in millimeters.

SCHEMATICS

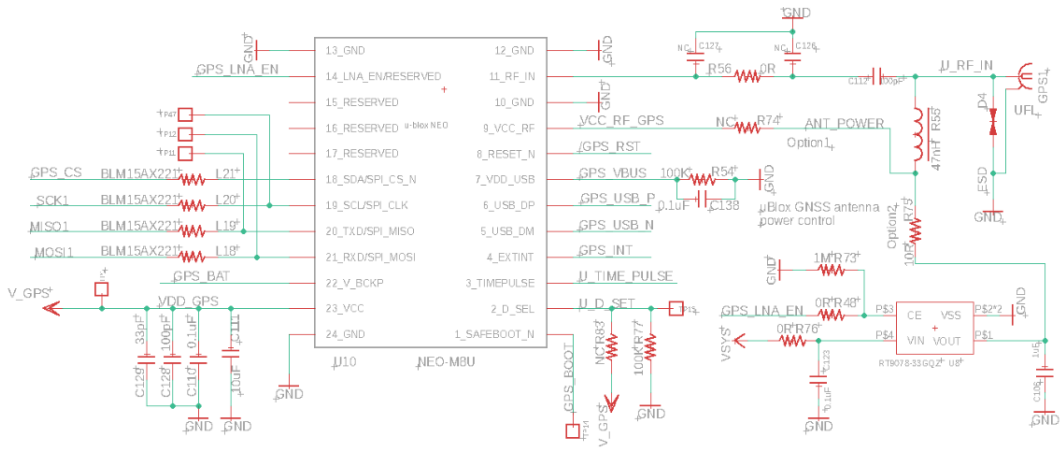
MCU



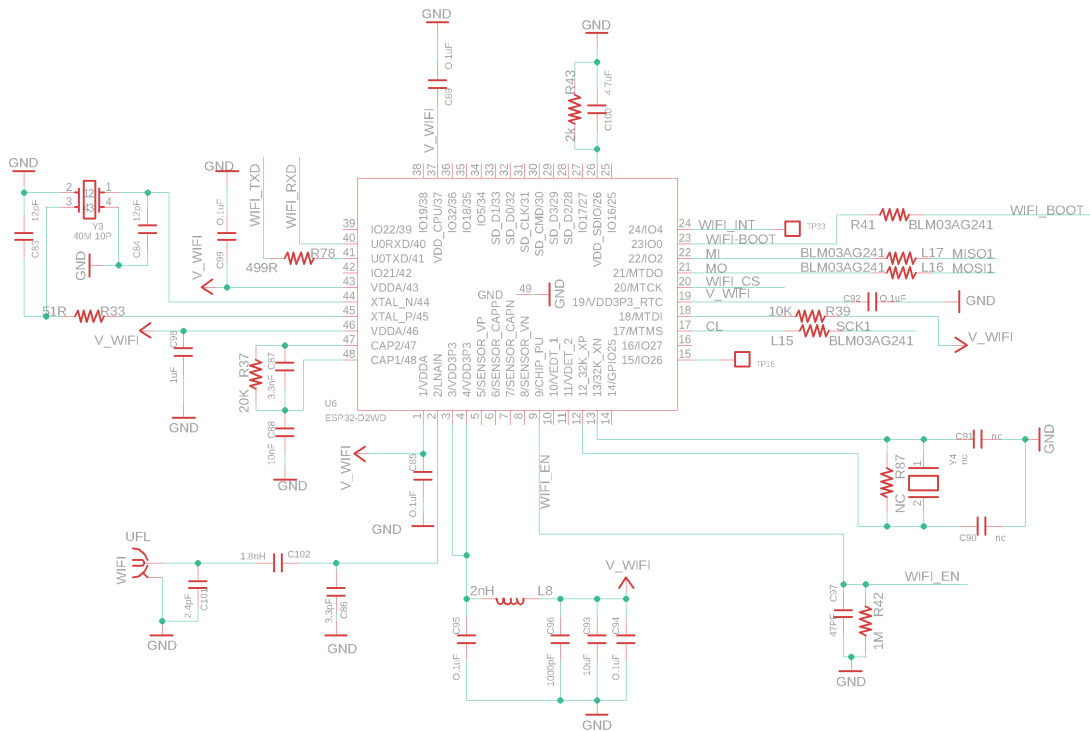
Cellular



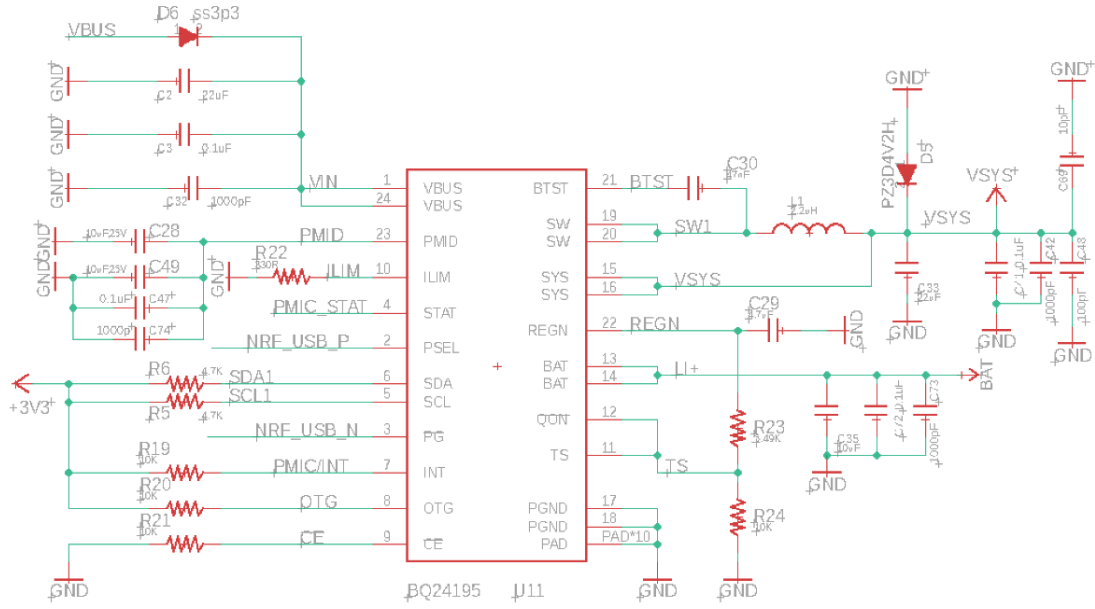
GNSS



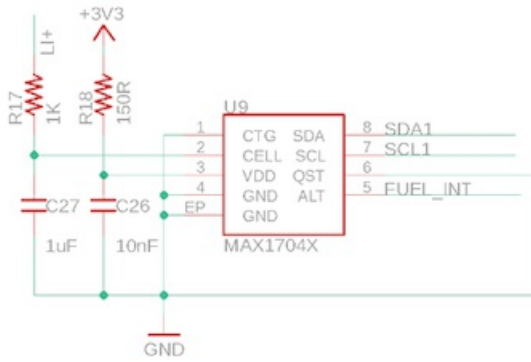
Wi-Fi



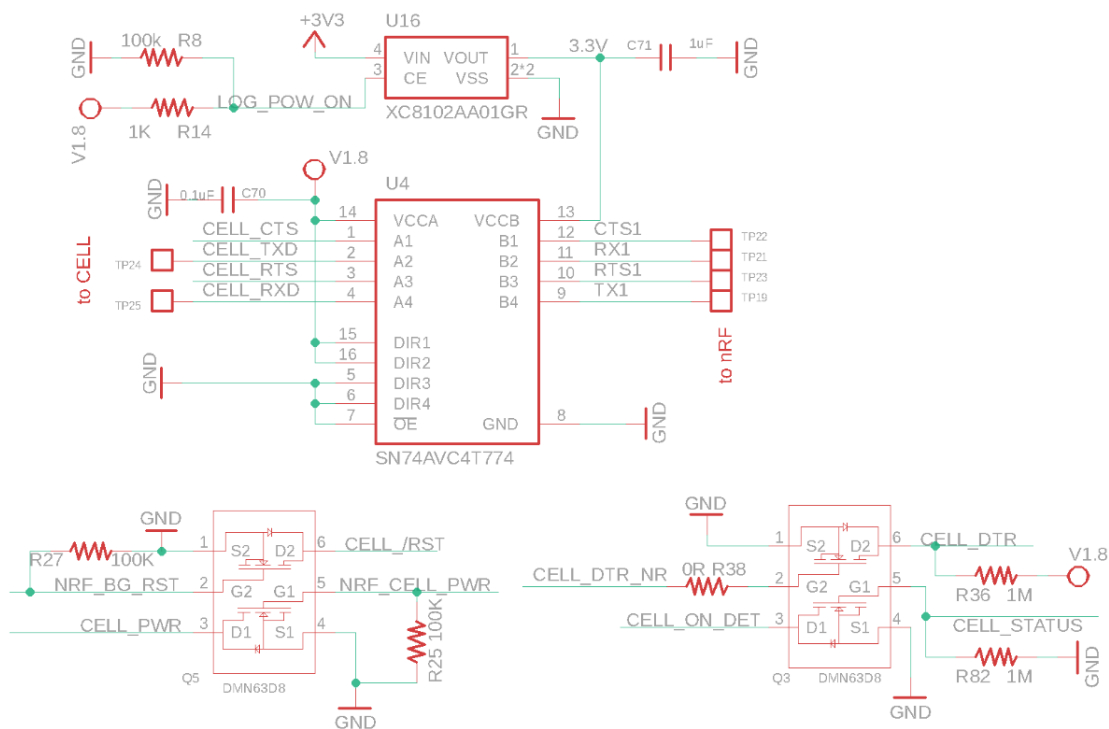
PMIC



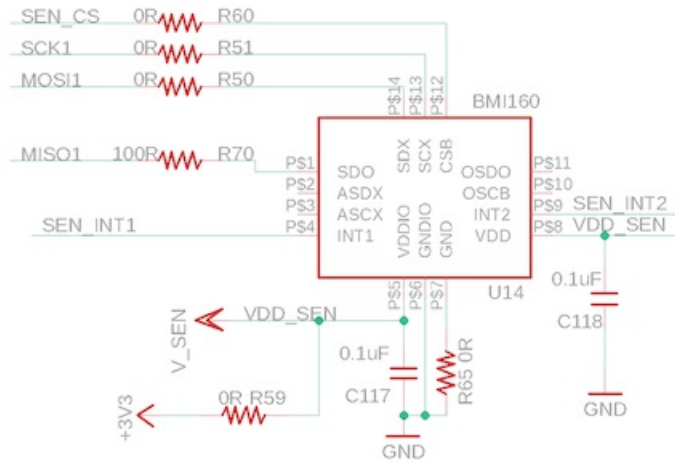
Fuel Gauge



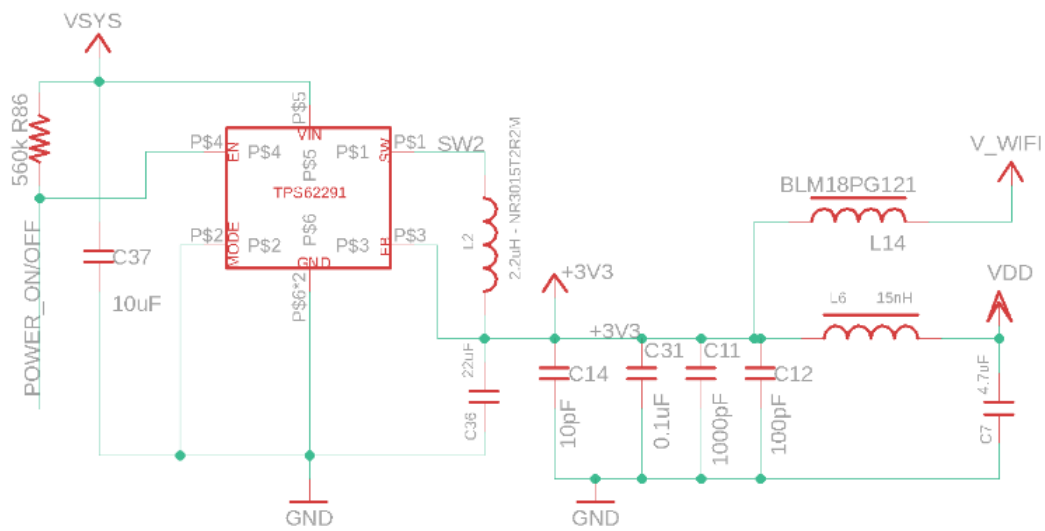
Cell Control



IMU



3V3 Regulator



LAYOUT CONSIDERATIONS

Will be provided at a later date.

Certification

FCC (UNITED STATES)

Warning: Changes or modifications to this unit not expressly approved by the party responsible for compliance could void the user's authority to operate the equipment.

NOTE: This equipment has been tested and found to comply with the limits for a Class B digital device, pursuant to Part 15 of the FCC Rules. These limits are designed to provide reasonable protection against harmful interference in a residential installation. This equipment generates, uses and can radiate radio frequency energy and, if not installed and used in accordance with the instructions, may cause harmful interference to radio communications.

However, there is no guarantee that interference will not occur in a particular installation. If this equipment does cause harmful interference to radio or television reception, which can be determined by turning the equipment off and on, the user is encouraged to try to correct the interference by one or more of the following measures:

- Reorient or relocate the receiving antenna.
- Increase the separation between the equipment and receiver.
- Consult the dealer or an experienced radio/TV technician for help.
- Connect the equipment into an outlet on a circuit different from that to which the receiver is connected.

The device must not be co-located or operating in conjunction with any other antenna or transmitter.

FCC RF Radiation Exposure Statement

Caution: To maintain compliance with the FCC's RF exposure guidelines, place the product at least 20cm from nearby persons. The module can be installed in mobile or fixed installations only, and it can not be installed in any portable installations.

FCC Conditions

This device complies with part 15 of the FCC Rules. Operation is subject to the following two conditions:

1.This device may not cause harmful interference. 2.This device must accept any interference received, including interference that may cause undesired operation. This device complies with Part 15, Part 15.247 of the FCC Rules. The FCC ID for this device is 2AEMI-T40X.

If the FCC ID is not visible with the module is installed inside another device, then it must be still responsible for the FCC compliance requirement of the end product which referring to the enclosed module and it also must display a label, such as the following:

Contains Transmitter module FCC ID: 2AEMI-T40X or contains FCC ID: 2AEMI-T40X The host product manufacturer is responsible for compliance to any other FCC rules that apply to the host not covered by the modular transmitter grant of certification. The final host product still requires Part 15 Subpart B compliance testing with the modular transmitter installed.

The end user manual shall include all required regulatory information / warning as shown in this manual, include: This product must be installed and operated with a minimum distance of 20 cm between the radiator and user body.

IC ID: 20127-T40X

- This device complies with Industry Canada license-exempt RSS standard(s). Operation is subject to the following two conditions:
 - this device may not cause interference.
 - this device must accept any interference, including interference that may cause undesired operation of the device.
- Le présent appareil est conforme aux CNR d'Industrie Canada applicables aux appareils radio exempts de licence. L'exploitation est autorisée aux deux conditions suivantes:
 - l'appareil ne doit pas produire de brouillage, et
 - l'utilisateur de l'appareil doit accepter tout brouillage radioélectrique subi, même si le brouillage est susceptible d'en compromettre le fonctionnement.
- This Class B digital apparatus complies with Canadian ICES-003.
- Cet appareil numérique de la classe B est conforme à la norme NMB-003 du Canada.
- This device and its antenna(s) must not be co-located or operating in conjunction with any other antenna or transmitter, except tested built-in radios.
- Cet appareil et son antenne ne doivent pas être situés ou fonctionner en conjonction avec une autre antenne ou un autre émetteur, exception faites des radios intégrées qui ont été testées.
- The County Code Selection feature is disabled for products marketed in the US/Canada.
- La fonction de sélection de l'indicatif du pays est désactivée pour les produits commercialisés aux États-Unis et au Canada.

Radiation Exposure Statement: This equipment complies with IC radiation exposure limits set forth for an uncontrolled environment. This equipment should be installed and operated with minimum distance 20cm between the radiator & your body.

Déclaration d'exposition aux radiations: Cet équipement est conforme aux limites d'exposition aux rayonnements IC établies pour un environnement non contrôlé. Cet équipement doit être installé et utilisé avec un minimum de 20 cm de distance entre la source de rayonnement et votre corps.

Product Handling

ESD PRECAUTIONS

The Tracker SoM contains highly sensitive electronic circuitry and is an Electrostatic Sensitive Device (ESD). Handling an module without proper ESD protection may destroy or damage it permanently. Proper ESD handling and packaging procedures must be applied throughout the processing, handling and operation of any application that incorporates the module. ESD precautions should be implemented on the application board where the B series is mounted. Failure to observe these precautions can result in severe damage to the module!

CONNECTORS

The U.FL antenna connectors are not designed to be constantly plugged and unplugged. The antenna pin is static sensitive and you can destroy the radio with improper handling. A tiny dab of glue (epoxy, rubber cement, liquid tape or hot glue) on the connector can be used securely hold the plug in place.

DISPOSAL



This device must be treated as Waste Electrical & Electronic Equipment (WEEE) when disposed of.

Any WEEE marked waste products must not be mixed with general household waste, but kept separate for the treatment, recovery and recycling of the materials used. For proper treatment, recovery and recycling; please take all WEEE marked waste to your Local Authority Civic waste site, where it will be accepted free of charge. If all consumers dispose of Waste Electrical & Electronic Equipment correctly, they will be helping to save valuable resources and preventing any potential negative effects upon human health and the environment of any hazardous materials that the waste may contain.

Default settings

The AssetTracker SoM comes pre-programmed with a bootloader and a user application called Tinker. This application works with an iOS and Android app also named Tinker that allows you to very easily toggle digital pins, take analog and digital readings and drive variable PWM outputs.

The bootloader allows you to easily update the user application via several different methods, USB, OTA, Serial Y-Modem, and also internally via the Factory Reset procedure. All of these methods have multiple tools associated with them as well.

Ordering Information

SKU	Description	Packaging
T523 Family (Europe)		
T523MEA	Tracker SoM LTE CAT1/3G/2G (Europe), [x1]	Each
T523MTY	Tracker SoM LTE CAT1/3G/2G (Europe), Tray [x50]	Tray (50)
T523MKIT	Tracker SoM LTE CAT1/3G/2G (Europe) Evaluation Kit, [x1]	Each
T402 Family (North America)		
T402MEA	Tracker SoM LTE M1 (NorAm), [x1]	Each
T402MTY	Tracker SoM LTE M1 (NorAm), Tray [x50]	Tray (50)
T402MKIT	Tracker SoM LTE M1 (NorAm) Evaluation Kit, [x1]	Each

Revision history

Revision	Date	Author	Comments
pre1	2020 Mar 31	RK	Preview Release 1
pre2	2020 May 12	RK	Added partial dimensions
001	2020 Jun 29	RK	First release
002	2020 Jul 10	RK	Updated absolute maximum ratings, schematics
003	2020 Jul 17	RK	Updated absolute maximum ratings
004	2020 Jul 30	RK	Added explanation of DIV connector
005	2020 Aug 06	RK	Added crystal to block diagram, added FCC information
006	2020 Aug 18	RK	Added IC (Canada) information
007	2020 Sep 08	RK	Added IC (Canada) information
008	2020 Sep 09	RK	Remove 3GPP E-UTRA from T402
009	2020 Sep 16	RK	Added power consumption information
010	2002 Sep 25	RK	Fixed typo in Istop_usart maximum current
011	2002 Oct 01	RK	Fixed VIN maximum voltage in text (is 17V not 12V)