



Coil Data

Nominal Voltage	: 12V DC
Coil Resistance	: Refer to coil data chart
Operate Voltage	: Refer to coil data chart
Release Voltage	: Refer to coil data chart
Coil Power	: 1,100mW

Contact Data

Contact Form	: U-2 form U
Contact Material	: Ag Alloy
Contact Rating	: Refer to Table 1
Max. Switching Voltage	: 75V DC
Max. Switching Current	: 20A
Max. Switching Power	: 280W
Max. Load Current	: 14V DC load voltage (Table 1)

Load	U
Contact Rating Current	2 × 10A
Max. Make Current	2 × 40A
Max. Break Current	2 × 20A

Contact Resistance : ≤100mΩ (6V DC 1A)

Life

Electrical	: 100,000 operations
Mechanical	: 10,000,000 operations

General Data

Min. Insulation Resistance	: 100 MΩ 500V DC
Dielectric Strength	: 500V AC, 1 min between open contacts 1,000V AC, 1 min between coil and contacts
Max. Operate Time	: 3 ms
Max. Release Time	: 15 ms
Operate Temperature	: -40°C to +85°C

General Data

Shock Resistance

Endurance	: 1,000 m/s ²
Mis-operation	: 100 m/s ²

Vibration Resistance

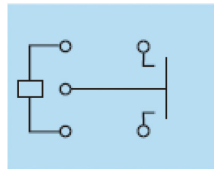
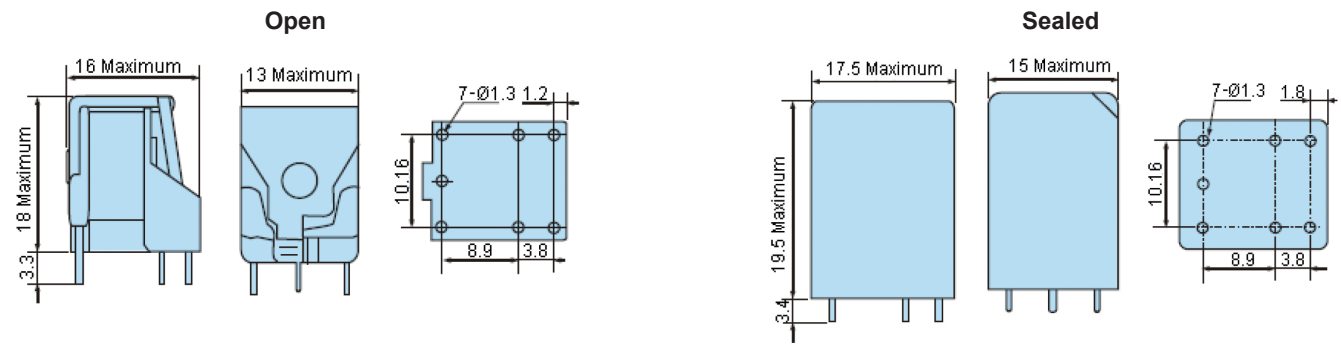
Endurance	: 10-55 Hz, double amplitude 1.5 mm
Mis-operation	: 10-55 Hz, double amplitude 1.5 mm
Weight	: Approximately 12g Approximately 8g (open)

Automotive Relay

Coil Data Chart 20°C

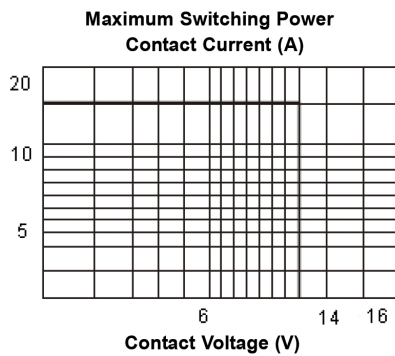
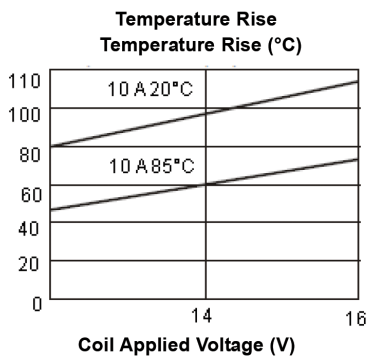
Nominal Voltage V DC	Coil Resistance $\Omega \pm 10\%$	Operate Voltage $\leq V$ DC	Release Voltage $\geq V$ DC	Coil Power mW
12	130.9	8.4	1.2	1,100

Diagram



Form U

Characteristic Chart Data



Part Number Table

Description	Part Number
Relay, Auto, Double Make 12V DC	MCCMA2-S-DC12V-U

Important Notice : This data sheet and its contents (the "Information") belong to the members of the AVNET group of companies (the "Group") or are licensed to it. No licence is granted for the use of it other than for information purposes in connection with the products to which it relates. No licence of any intellectual property rights is granted. The Information is subject to change without notice and replaces all data sheets previously supplied. The Information supplied is believed to be accurate but the Group assumes no responsibility for its accuracy or completeness, any error in or omission from it or for any use made of it. Users of this data sheet should check for themselves the Information and the suitability of the products for their purpose and not make any assumptions based on information included or omitted. Liability for loss or damage resulting from any reliance on the Information or use of it (including liability resulting from negligence or where the Group was aware of the possibility of such loss or damage arising) is excluded. This will not operate to limit or restrict the Group's liability for death or personal injury resulting from its negligence. Multicomp Pro is the registered trademark of Premier Farnell Limited 2019.