

USB Type A 3.0 Connector, Adapter, Cable Assembly and Dust Cap

multicomp PRO

MP002431 USB-A 3.0 Metal C3 Panel Jack Screw Dip

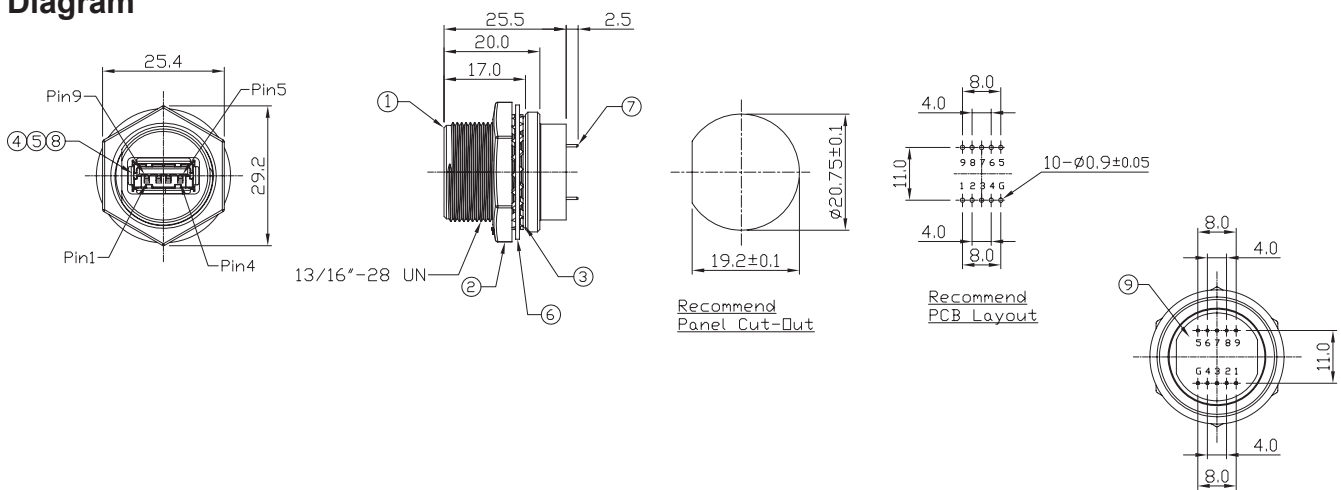
**RoHS
Compliant**



Specifications

IP Rating : IP68
 Recommend Panel Thickness : 0.8mm to 6mm
 Recommend Torque : 19 to 20Kgf-cm

Diagram



Dimensions : Millimetres

No.	Part Name	Material/Finish	Qty.
1	Housing	Zn Alloy; Finish: Ni Plated	1
2	Hex Nut	Zn Alloy; Finish: Ni Plated	
3	O-Ring	Silicone; Colour: Red	
4	USB-A 3.0 Receptacle	Housing: Thermoplastic, Colour : Blue	
		Contacts: Copper Alloy, Finish: Au Plated	
		Shell: Stainless, Finish: Non	
5	EMI Shielded Plate	Copper; Finish: Ni Plated	
6	Metal Washer	SUS	
7	Pin Header	Housing: Thermoplastic, Colour : Black	2
		Contacts: Copper Alloy, Finish: Au Plated	
8	PCB	FR-4; Colour: Green	1
9	Glue	Epoxy; Colour: Black	-

USB Type A 3.0 Connector, Adapter, Cable Assembly and Dust Cap

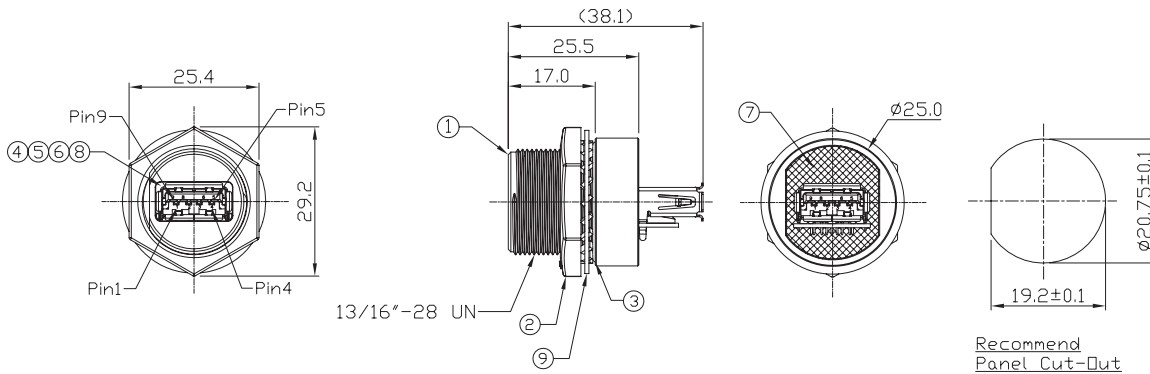
MP002432 USB-A 3.0 Metal C3 Panel Jack Screw with Coupler



Specifications

IP Rating : IP68
 Recommend Panel Thickness : 0.8mm to 6mm
 Recommend Torque : 19 to 20Kgf-cm

Diagram



Dimensions : Millimetres

No.	Part Name	Material/Finish	Qty.
1	Housing	Zn Alloy; Finish: Ni Plated	1
2	Hex Nut	Zn Alloy; Finish: Ni Plated	
3	O-Ring	Silicone; Colour: Red	
4	USB-A 3.0 Receptacle	Housing: Thermoplastic, Colour : Blue Contacts: Copper Alloy, Finish: Au Plated Shell: Stainless, Finish: Non	2
5	Hold	Silicone; Colour: Black	1
6	PCB	FR-4; Colour: Green	
7	Glue	Epoxy; Colour: Black	-
8	Emi Shielded Plate	Copper; Finish: Ni Plated	1
9	Metal Washer	SUS	

USB Type A 3.0 Connector, Adapter, Cable Assembly and Dust Cap



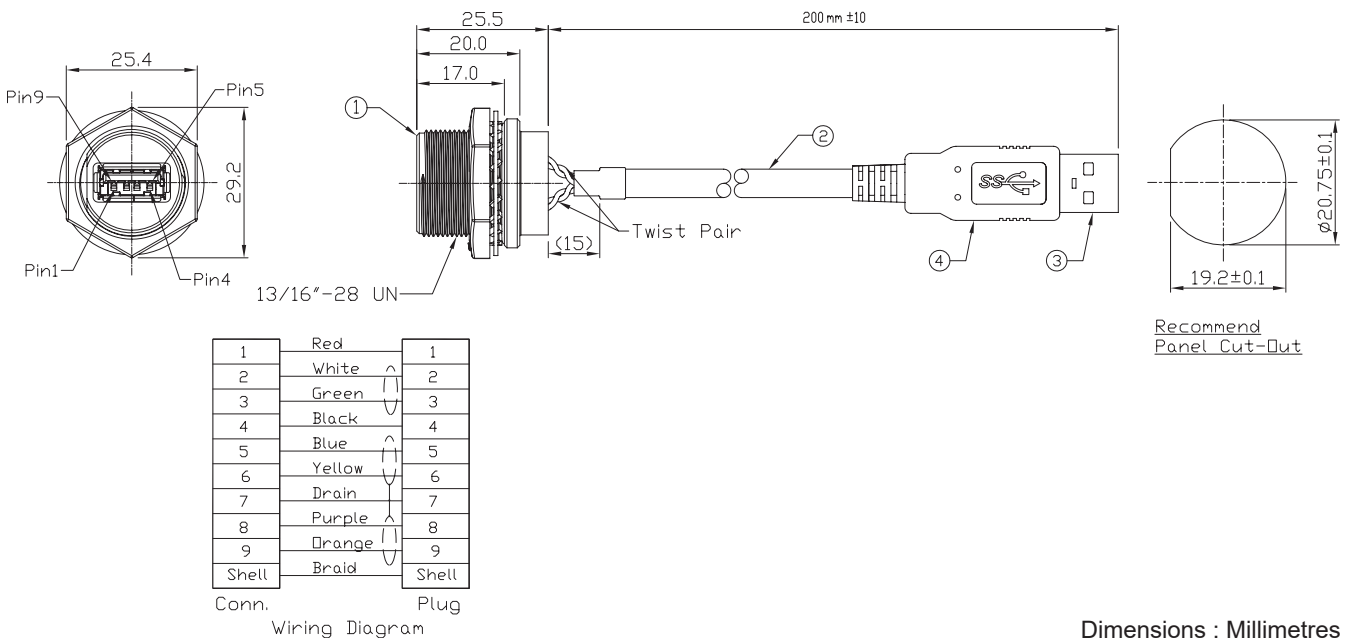
MP002433 USB-A 3.0 Metal C3 Panel Jack Screw with USB-A 3.0 Plug



Specifications

IP Rating : IP68
 Recommend Panel Thickness : 0.8mm to 6mm
 Recommend Torque : 19 to 20Kgf-cm

Diagram



No.	Part Name	Material/Finish	Qty.
1	USB-A 3.0 C3 Panel Jack	Connector	1
2	Cable	UL2725 (1P×28AWG EAM)×2+(1PR×28AWG+A)+2C×22AWG+AB 85%; Colour: Black, OD=5.5mm	
3	USB-A 3.0 Plug	Housing: Thermoplastic, Colour : Blue	
		Contacts: Copper Alloy, Finish: AU Plated	
4	Over Mold	Shell: SPCC, Finish: Ni Plated	
		PVC, Colour: Black	



USB Type A 3.0 Connector, Adapter, Cable Assembly and Dust Cap



Cap Plastic for C3 Screw Panel with Plastic Chain

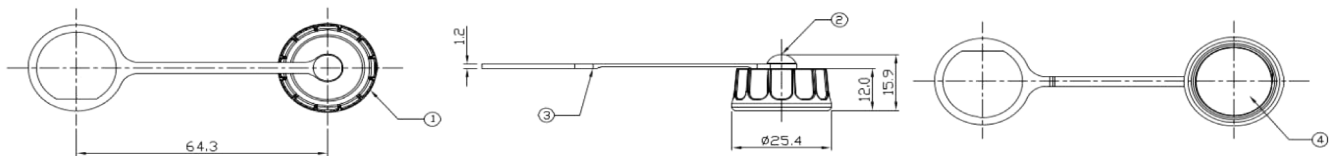
MP002438



Specification

IP Rating : IP67

Diagram



Dimensions : Millimetres

No.	Part Name	Material / Finish	Qty.
1	Screw Cap	Thermal Plastic, Colour: Black	1
2	Plastic Rivet	Thermal Plastic, Colour: Black	
3	Plastic Chain	Thermal Plastic, Colour: Black	
4	Rubber Pad	Silicone, Colour: Black	

Part Number Table

Description	Part Number
USB Type A 3.0 Sealed Connector, Metal, C3 Panel Mount, IP68	MP002431
USB Adapter, USB 3.0 Type A Jack to USB Type A 3.0 Jack, Metal, C3 Panel Mount, IP68	MP002432
USB Cable Assembly, USB Type A Jack to USB Type A Plug, Black, 200mm, IP68	MP002433
Dust Cap with Chain, Plastic, C3 Screw Panel Mount Connector, IP67	MP002438

Important Notice : This data sheet and its contents (the "Information") belong to the members of the AVNET group of companies (the "Group") or are licensed to it. No licence is granted for the use of it other than for information purposes in connection with the products to which it relates. No licence of any intellectual property rights is granted. The Information is subject to change without notice and replaces all data sheets previously supplied. The Information supplied is believed to be accurate but the Group assumes no responsibility for its accuracy or completeness, any error in or omission from it or for any use made of it. Users of this data sheet should check for themselves the Information and the suitability of the products for their purpose and not make any assumptions based on information included or omitted. Liability for loss or damage resulting from any reliance on the Information or use of it (including liability resulting from negligence or where the Group was aware of the possibility of such loss or damage arising) is excluded. This will not operate to limit or restrict the Group's liability for death or personal injury resulting from its negligence. Multicomp Pro is the registered trademark of Premier Farnell Limited 2019.

Newark.com/multicomp-pro
 Farnell.com/multicomp-pro
 Element14.com/multicomp-pro

