

HDMI Connector, Cable Assembly and Plastic Dust Cap

multicomp PRO

**RoHS
Compliant**

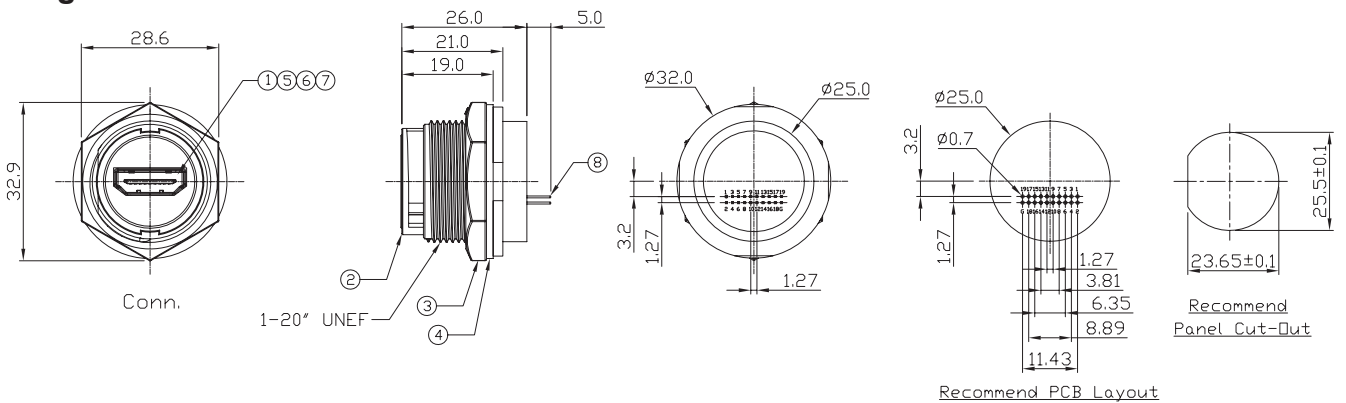
MP002463 HDMI Receptacle C4 Plastic Panel Female Lock Dip



Specifications

IP Rating : IP67
 Recommend Panel Thickness : 0.8mm to 6mm
 Recommend Torque : 19 to 20Kgf-cm

Diagram



Dimensions : Millimetres

No.	Part Name	Material/Finish	Qty.
1	HDMI Female	Shell: Copper Alloy, Finish: Ni Plated	1
		Contacts: Copper Alloy, Finish: Au Plated	
		Housing: Thermoplastic, Colour: Black	
2	Housing	Thermoplastic, Colour: Black	1
3	Hex Nut	Thermoplastic, Colour: Black	
4	Gasket	Silicone; Colour: Black	
5	PCB	FR-4; Colour: Black	
6	Hold	Silicone; Colour: Black	-
7	Glue	Epoxy; Colour: Black	
8	Pin Header	Housing: Thermoplastic, Colour: Black	1
		Contacts: Copper Alloy, Finish: Au Plated	

multicomp PRO

HDMI Connector, Cable Assembly and Plastic Dust Cap



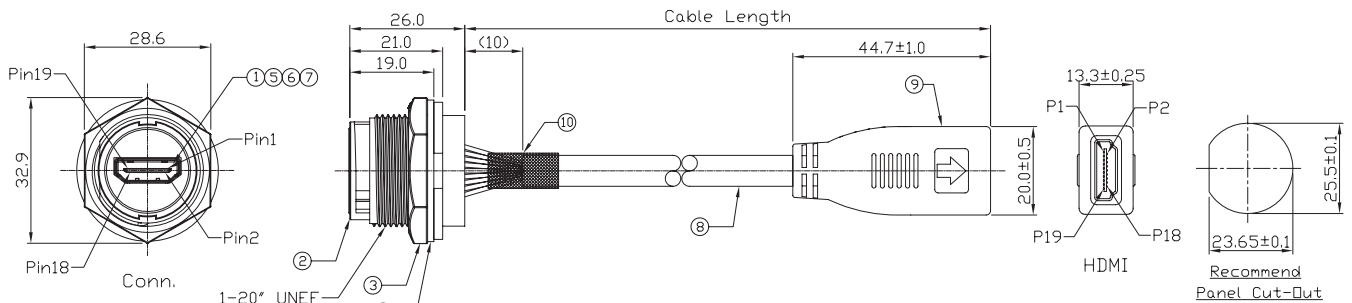
MP002464 & MP002465 HDMI C4 Plastic Panel Female Lock with HDMI Receptacle



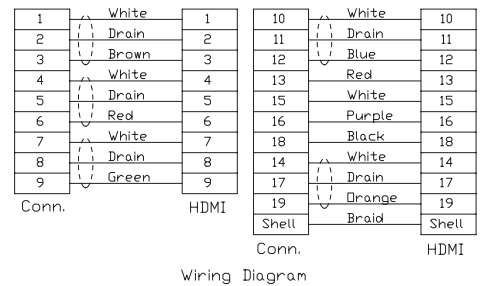
Specifications

IP Rating : IP67
 Recommend Panel Thickness : 0.8mm to 6mm
 Recommend Torque : 19 to 20Kgf-cm

Diagram



Dimensions : Millimetres



Wiring Diagram

No.	Part Name	Material/Finish	Qty.	
1	HDMI Female	Housing: Thermoplastic; Colour: Black	1	
		Contacts: Copper Alloy, Finish: Au Plated		
		Shell: Copper Alloy, Finish: Ni Plated		
2	Housing	Thermoplastic; Colour: Black	1	
3	Hex Nut	Thermoplastic; Colour: Black		
4	Gasket	Silicone; Colour: Black		
5	PCB	FR-4; Colour: Black		
6	Hold	Silicone; Colour: Black		
7	Glue	Epoxy; Colour: Black		-
8	Cable	UL20276 [(28#/1PR+EAM)×5+(28#/4C)]+AB85% Colour: Black, OD=7.3mm		1
9	HDMI Female	HDMI 19P Female IDC Type Colour: Black		
10	Shrink Tube	L=20mm; Colour: Black		



HDMI Connector, Cable Assembly and Plastic Dust Cap

multicomp PRO

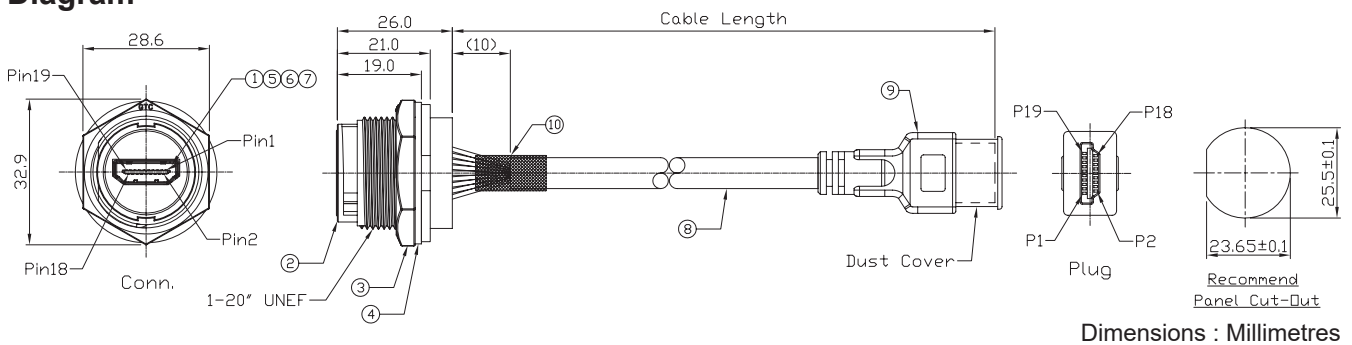
MP002466 & MP002467 HDMI C4 Plastic Panel Female Lock with HDMI Plug



Specifications

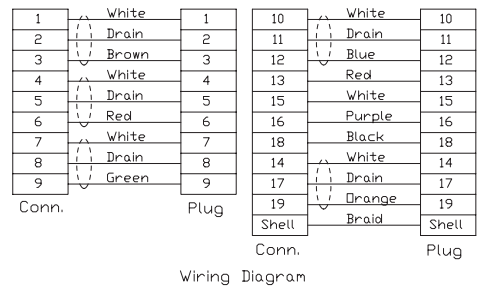
IP Rating : IP67
 Recommend Panel Thickness : 0.8mm to 6mm
 Recommend Torque : 19 to 20Kgf-cm

Diagram



Dimensions : Millimetres

No.	Part Name	Material/Finish	Qty.
1	HDMI Female	Housing: Thermoplastic; Colour: Black	1
		Contacts: Copper Alloy, Finish: Au Plated	
		Shell: Copper Alloy, Finish: Ni Plated	
2	Housing	Thermoplastic; Colour: Black	
3	Hex Nut	Thermoplastic; Colour: Black	
4	Gasket	Silicone; Colour: Black	
5	PCB	FR-4; Colour: Black	
6	Hold	Silicone; Colour: Black	
7	Glue	Epoxy; Colour: Black	
8	Cable	UL20276 [(28#/1PR+EAM)×5+(28#/4C)]+AB85% Colour: Black, OD=7.3mm	
9	HDMI Female	HDMI 19P Female IDC Type Colour: Black	
10	Shrink Tube	L=20mm; Colour: Black	



Wiring Diagram

Newark.com/multicomp-pro
 Farnell.com/multicomp-pro
 Element14.com/multicomp-pro

multicomp PRO

HDMI Connector, Cable Assembly and Plastic Dust Cap

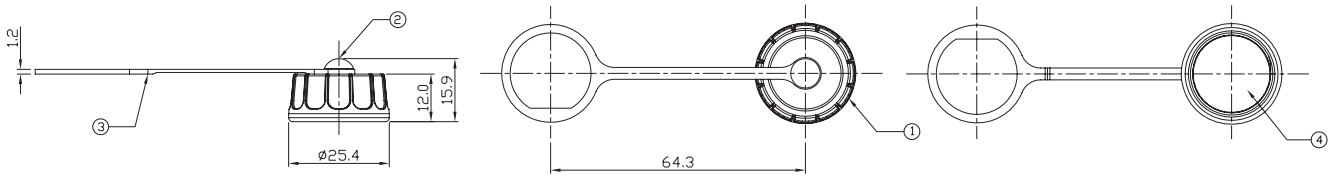
MP002473 Cap Plastic for C3 Screw Panel with Plastic Chain



Specification

IP Rating : IP67

Diagram



Dimensions : Millimetres

No.	Part Name	Material/Finish	Qty.
1	Screw Cap	Thermal plastic, Colour: Black	1
2	Plastic Rivet		
3	Plastic Chain		
4	Rubber Pad	Silicone; Colour: Black	

Part Number Table

Description	Part Number
HDMI Receptacle Connector, C4 Panel Mount, IP67	MP002463
HDMI Cable Assembly, Receptacle to Receptacle, IP67, 300mm	MP002464
HDMI Cable Assembly, Receptacle to Receptacle, IP67, 2m	MP002465
HDMI Cable Assembly, Plug to Receptacle, IP67, 300mm	MP002466
HDMI Cable Assembly, Plug to Receptacle, IP67, 2m	MP002467
Dust Cap with Plastic Chain, C4 Bayonet Panel Mount Connector, IP67	MP002473

Important Notice : This data sheet and its contents (the "Information") belong to the members of the AVNET group of companies (the "Group") or are licensed to it. No licence is granted for the use of it other than for information purposes in connection with the products to which it relates. No licence of any intellectual property rights is granted. The Information is subject to change without notice and replaces all data sheets previously supplied. The Information supplied is believed to be accurate but the Group assumes no responsibility for its accuracy or completeness, any error in or omission from it or for any use made of it. Users of this data sheet should check for themselves the Information and the suitability of the products for their purpose and not make any assumptions based on information included or omitted. Liability for loss or damage resulting from any reliance on the Information or use of it (including liability resulting from negligence or where the Group was aware of the possibility of such loss or damage arising) is excluded. This will not operate to limit or restrict the Group's liability for death or personal injury resulting from its negligence. Multicomp Pro is the registered trademark of Premier Farnell Limited 2019.