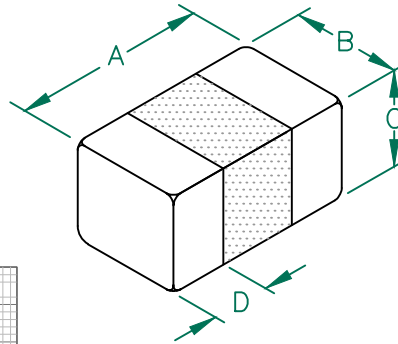


MI0402L100R-10

PHYSICAL DIMENSIONS:

A	1.00 [.040]	+ 0.10 [.004]
B	0.50 [.020]	+ 0.10 [.004]
C	0.50 [.020]	+ 0.10 [.004]
D	0.25 [.012]	+ 0.10 [.004]



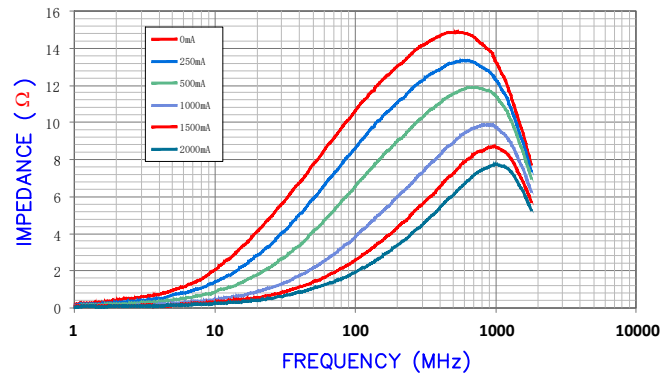
ELECTRICAL CHARACTERISTICS:

Z @ 100MHz (Ω)	DCR (Ω)	Rated Current
Nominal	10	
Minimum	7.5	
Maximum	12.5	2000 mA

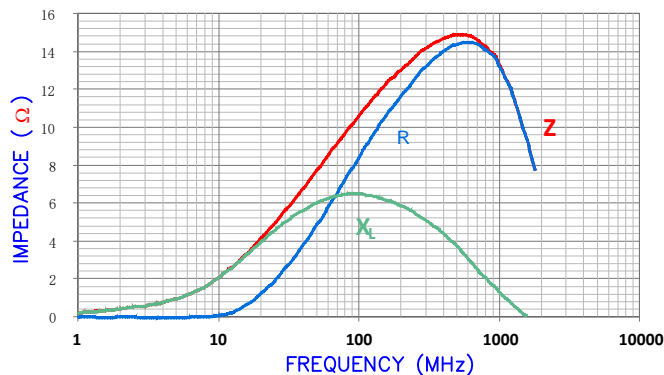
NOTES: UNLESS OTHERWISE SPECIFIED

1. TAPED AND REELED per CURRENT EIA SPECIFICATIONS 7" REELS, 10,000 PCS/REEL, PAPER TAPE.
2. TERMINATION FINISH IS 100% TIN.
3. COMPONENTS SHOULD BE ADEQUATELY PREHEATED BEFORE SOLDERING.
4. OPERATING TEMPERATURE: $-40^{\circ}\text{C} \sim +125^{\circ}\text{C}$. (INCLUDING SELF-HEATING)

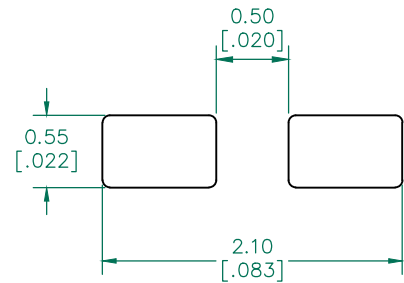
Z vs FREQUENCY
IMPEDANCE UNDER DC BIAS



|Z|, R, AND X vs. FREQUENCY

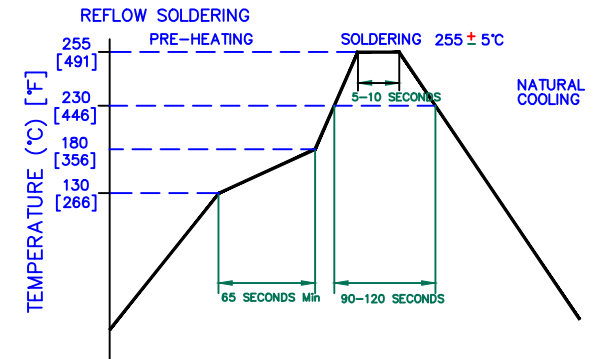


LAND PATTERNS FOR REFLOW SOLDERING



(For wave soldering, add 0.763 [.030] to this dimension.)

RECOMMENDED SOLDERING CONDITIONS



DIMENSIONS ARE IN mm [INCHES].				This print is the property of Laird Tech. and is loaned in confidence subject to return upon request and with the understanding that no copies shall be made without the written consent of Laird Tech. All rights to design or invention are reserved.	
PROJECT/PART NUMBER:				REV	PART TYPE:
MI0402L100R-10				A	CO-FIRE
DATE:				SCALE:	SHEET:
04/21/13				NTS	1 of 1
REV	DESCRIPTION	DATE	INT	CAD #	TOOL #
A	ORIGINAL DRAFT	04/21/13	QU	MI0402L100R-10-A	-

