

# SPECIFICATION FOR APPROVAL

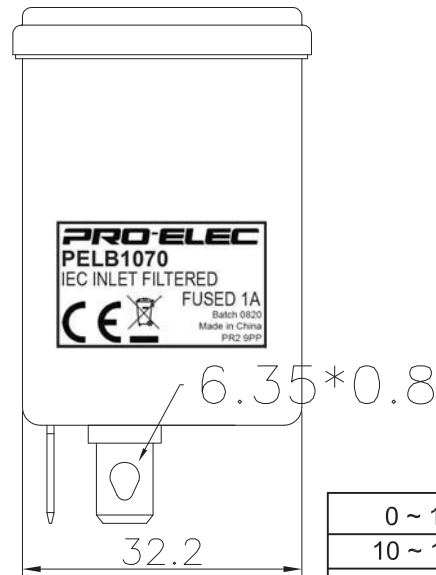
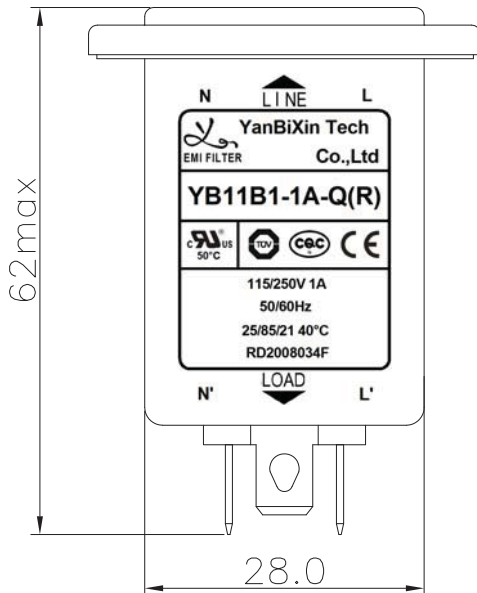
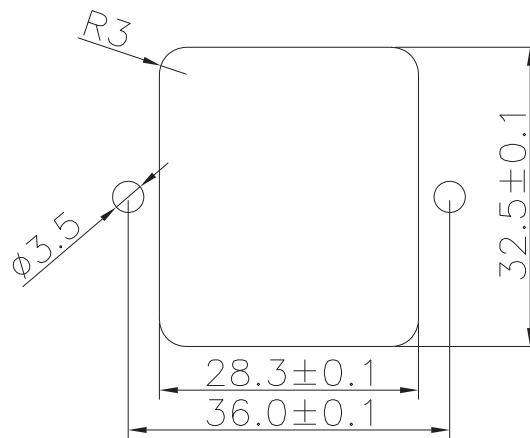
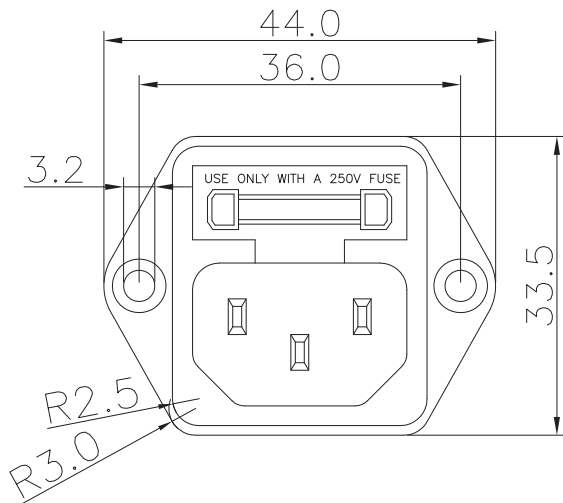
1/3

Name:	EMI FILTER	Part No.:	RD2008034F
YBX MODEL:	YB11B1-1A-Q(R)	Customer P/N :	CN22384 & PELB1070

1. PART NUMBER: YB11B1-1A-Q(R)

2. PHYSICAL DIMENSIONS:

SUGGESTED PANEL CUTOUT  
(MOUNTING FROM FRONT)



0 ~ 10	±0.3
10 ~ 100	±0.5
100 ~ 150	±0.8
150 ~ 200	±1.0

Drawing by	Checked by	Approved by	Ordering No.	Unit	Rev.	Dimension Limit	Tolerance
R & D 2020.08.13 王官九		R & D 2020.08.13 喻钰鈔	YB11B1-1A-Q(R)	mm			
						<b>2020-08-12</b>	



Shenzhen yanbixin  
technology co.,Ltd

Tel:+86-755-27147102  
Fax:+86-755-27147101

<http://www.yanbixinkeji.com>  
E-mail:yanbixin@yeah.net

# SPECIFICATION FOR APPROVAL

2/3

Name:	EMI FILTER	Part No.:	RD2008034F
YBX MODEL:	YB11B1-1A-Q(R)	Customer P/N :	CN22384 & PELB1070

### 3. CHARACTERISTICS:

(1) VOLTAGE RATING.....115/250VAC

#### (2) CURRENT RATING:

A. @ 115VAC.....1A RMS Max.

B. @ 250VAC.....1A RMS Max.

(3) OPERATING FREQUENCY: 50/60Hz

#### (4) LEAKAGE CURRENT: EACH LINE TO GROUND

A. @ 115VAC/60Hz.....0.3mA Max.

B. @ 250VAC/50Hz.....0.6mA Max.

#### (5) HIPOT RATING(FOR ONE MINUTE)

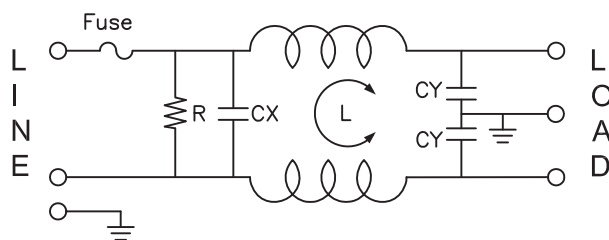
A. LINE TO GROUND.....2250VDC

B. LINE TO LINE.....500VDC

(6) IR: 50M ohm AT 500VDC ANY INPUT OR OUTPUT TO GROUND

(7) TEMPERATURE RANGE: -25°C~+85°C

### 4. ELECTRICAL SCHEMATIC:



L:2x3.7mH  
 Cx:0.1uF(X2)  
 Cy:3300pF(Y2)\*2  
 R: 1M ohm

### 5. SAFETY COMPLIANCE:

CE :2011NT0616551  
 CQC :CQC14001104342/CQC19001226449  
 CB :STIEP-3025  
 TUV :B0899310001  
 UL :E471748

Drawing by	Checked by	Approved by	Ordering No.	Unit	Rev.
R & D 2020.08.13 王官九		R & D 2020.08.13 喻钰钊	YB11B1-1A-Q(R)	mm	2020-08-12



Shenzhen yanbixin  
 technology co.,Ltd

Tel:+86-755-27147102  
 Fax:+86-755-27147101

<http://www.yanbixinkeji.com>  
 E-mail:yanbixin@yeah.net

# SPECIFICATION FOR APPROVAL

3/3

Name:	EMI FILTER	Part No.:	RD2008034F
YBX MODEL:	YB11B1-1A-Q(R)	Customer P/N :	CN22384 & PELB1070

6.Label:



7.Carton Label:



Drawing by	Checked by	Approved by	Ordering No.	Unit	Rev.
R & D 2020.08.13 王官九		R & D 2020.08.13 喻钰钊	YB11B1-1A-Q(R)	mm	2020-08-12



Shenzhen yanbixin  
technology co.,Ltd

Tel:+86-755-27147102  
Fax:+86-755-27147101

<http://www.yanbixinkeji.com>  
E-mail:yanbixin@yeah.net