

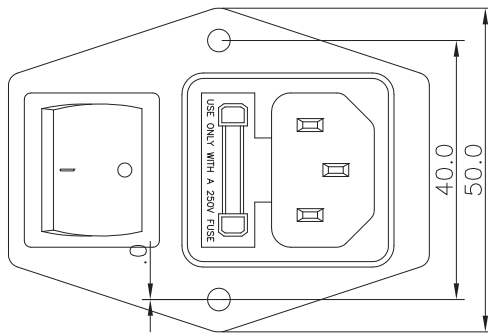
# SPECIFICATION FOR APPROVAL

1/3

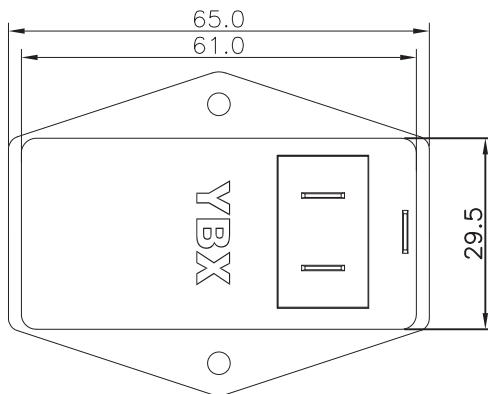
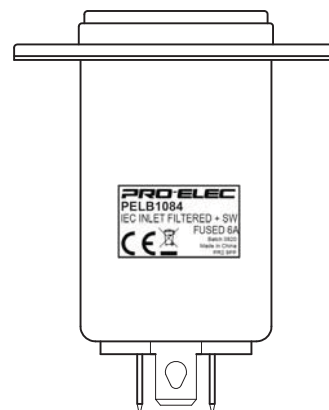
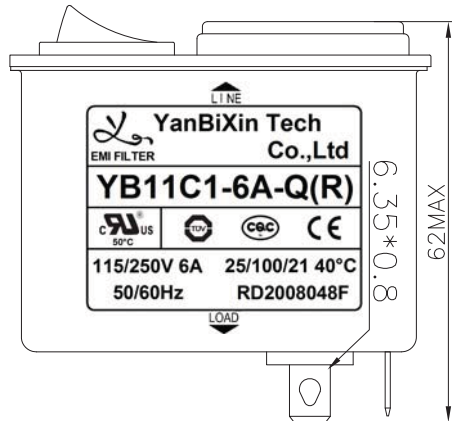
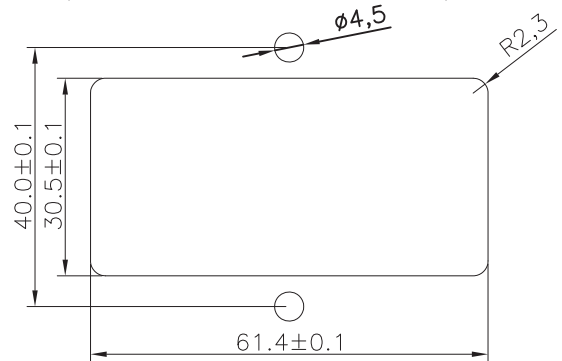
Name:	EMI FILTER	Part No.:	RD2008048F
YBX MODEL:	YB11C1-6A-Q(R)	Customer P/N :	CN22398 & PELB1084

1. PART NUMBER: YB11C1-6A-Q(R)

2. PHYSICAL DIMENSIONS:



SUGGESTED PANEL CUTOUT  
(MOUNTING FROM FRONT)



0 ~ 10	±0.3
10 ~ 100	±0.5
100 ~ 150	±0.8
150 ~ 200	±1.0

Drawing by	Checked by	Approved by	Ordering No.	Unit	Rev.	Dimension Limit	Tolerance
R & D 2020.08.14 王官九		R & D 2020.08.14 喻钰鈔	YB11C1-6A-Q(R)	mm			
						<b>2020-08-13</b>	



Shenzhen yanbixin  
technology co.,Ltd

Tel:+86-755-27147102  
Fax:+86-755-27147101

<http://www.yanbixinkeji.com>  
E-mail:yanbixin@yeah.net

# SPECIFICATION FOR APPROVAL

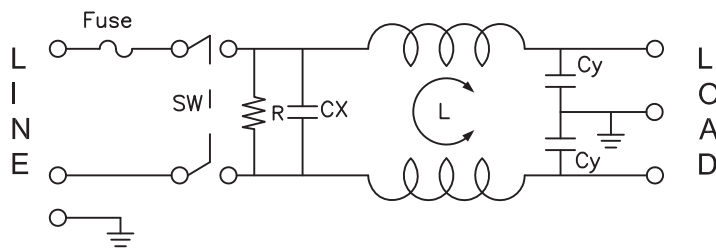
2/3

Name:	EMI FILTER	Part No.:	RD2008048F
YBX MODEL:	YB11C1-6A-Q(R)	Customer P/N :	CN22398 & PELB1084

### 3. CHARACTERISTICS:

- (1) VOLTAGE RATING.....115/250VAC
- (2) CURRENT RATING:
  - A. @ 115VAC.....6A RMS Max.
  - B. @ 250VAC.....6A RMS Max.
- (3) OPERATING FREQUENCY: 50/60Hz
- (4) LEAKAGE CURRENT: EACH LINE TO GROUND
  - A. @ 115VAC/60Hz.....0.3mA Max.
  - B. @ 250VAC/50Hz.....0.6mA Max.
- (5) HIPOT RATING(FOR ONE MINUTE)
  - A. LINE TO GROUND.....2250VDC
  - B. LINE TO LINE.....500VDC
- (6) IR: 50M ohm AT 500VDC ANY INPUT OR OUTPUT TO GROUND
- (7) TEMPERATURE RANGE: -25°C~+100°C

### 4. ELECTRICAL SCHEMATIC:



L:2x1.8mH  
 Cx:0.1uF(X2)  
 Cy:3300pF(Y2)\*2  
 R:1M ohm

### 5. SAFETY COMPLIANCE:

CE :2011NT0616551  
 CQC :CQC14001104342/CQC19001226449  
 CB :STIEP-3025  
 TUV :B0899310001  
 UL :E471748

Drawing by	Checked by	Approved by	Ordering No.	Unit	Rev.	
			YB11C1-6A-Q(R)	mm		2020-08-13



Shenzhen yanbixin  
 technology co.,Ltd

Tel:+86-755-27147102  
 Fax:+86-755-27147101

<http://www.yanbixinkeji.com>  
 E-mail:yanbixin@yeah.net

# SPECIFICATION FOR APPROVAL

3/3

Name:	EMI FILTER	Part No.:	RD2008048F
YBX MODEL:	YB11C1-6A-Q(R)	Customer P/N :	CN22398 & PELB1084

6.Label:

LINE

LOAD

7.Carton Label:

**PRO-ELEC**

**PELB1084**      Batch 08-20

IEC INLET FILTERED +  
SWITCH SINGLE FUSE 6A

Made in China  
PR2 9PP

Drawing by	Checked by	Approved by	Ordering No.	Unit	Rev.
			YB11C1-6A-Q(R)	mm	<b>2020-08-13</b>



Shenzhen yanbixin  
technology co.,Ltd

Tel:+86-755-27147102  
Fax:+86-755-27147101

<http://www.yanbixinkeji.com>  
E-mail:yanbixin@yeah.net