

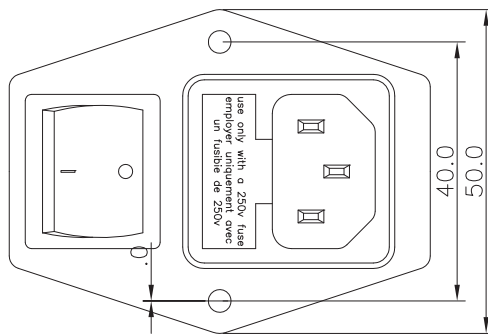
SPECIFICATION FOR APPROVAL

1/3

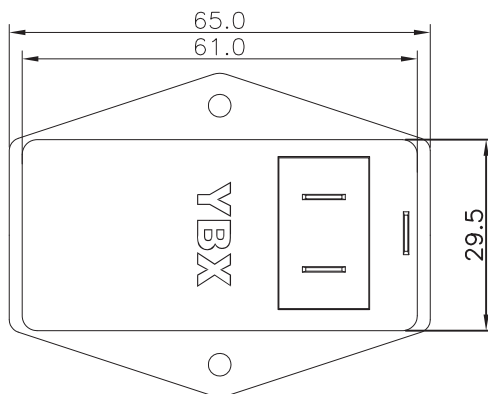
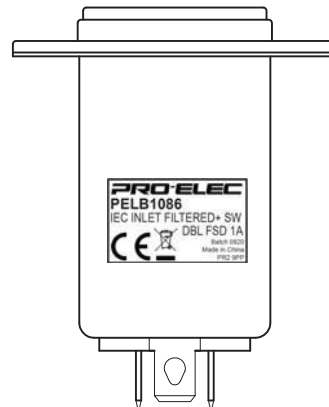
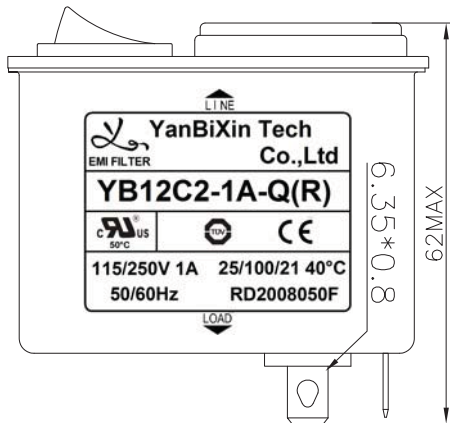
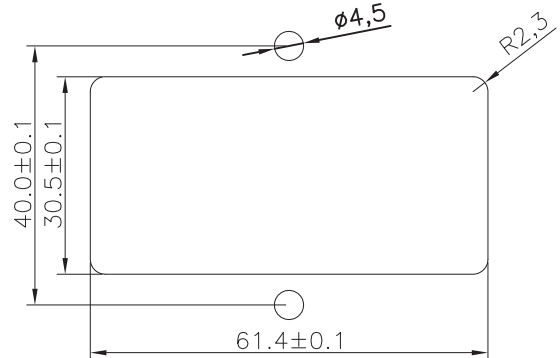
Name:	EMI FILTER	Part No.:	RD2008050F
YBX MODEL:	YB12C2-1A-Q(R)	Customer P/N :	CN22400 & PELB1086

1. PART NUMBER: YB12C2-1A-Q(R)

2. PHYSICAL DIMENSIONS:



SUGGESTED PANEL CUTOUT
(MOUNTING FROM FRONT)



0 ~ 10	±0.3
10 ~ 100	±0.5
100 ~ 150	±0.8
150 ~ 200	±1.0

Drawing by	Checked by	Approved by	Ordering No.	Unit	Rev.	Dimension Limit	Tolerance
R & D 2020.08.13 王官九		R & D 2020.08.14 喻钰鈔	YB12C2-1A-Q(R)	mm			
						2020-08-13	



Shenzhen yanbixin
technology co.,Ltd

Tel:+86-755-27147102
Fax:+86-755-27147101

<http://www.yanbixinkeji.com>
E-mail:yanbixin@yeah.net

SPECIFICATION FOR APPROVAL

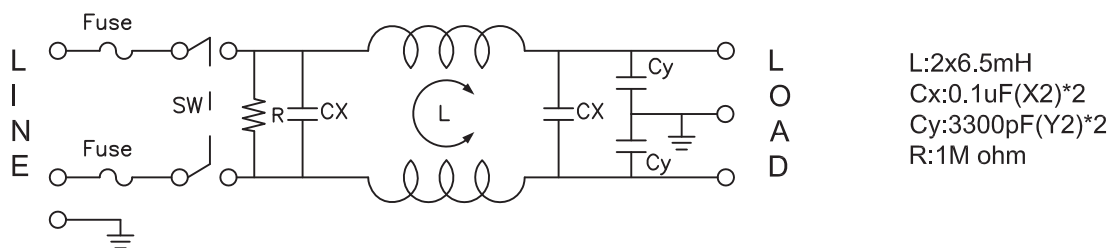
2/3

Name:	EMI FILTER	Part No.:	RD2008050F
YBX MODEL:	YB12C2-1A-Q(R)	Customer P/N :	CN22400 & PELB1086

3. CHARACTERISTICS:

- (1) VOLTAGE RATING.....115/250VAC
- (2) CURRENT RATING:
- A. @ 115VAC.....1A RMS Max.
- B. @ 250VAC.....1A RMS Max.
- (3) OPERATING FREQUENCY: 50/60Hz
- (4) LEAKAGE CURRENT: EACH LINE TO GROUND
- A. @ 115VAC/60Hz.....0.3mA Max.
- B. @ 250VAC/50Hz.....0.6mA Max.
- (5) HIPOT RATING(FOR ONE MINUTE)
- A. LINE TO GROUND.....2250VDC
- B. LINE TO LINE.....500VDC
- (6) IR: 50M ohm AT 500VDC ANY INPUT OR OUTPUT TO GROUND
- (7) TEMPERATURE RANGE: -25°C~+100°C

4. ELECTRICAL SCHEMATIC:



5. SAFETY COMPLIANCE:

CE :2011NT0616551
 TUV :B0899310001
 UL :E471748

Drawing by	Checked by	Approved by	Ordering No.	Unit	Rev.
R & D 2020.08.13 王官九		R & D 2020.08.14 喻钰鈔	YB12C2-1A-Q(R)	mm	2020-08-13



Shenzhen yanbixin
technology co.,Ltd

Tel:+86-755-27147102
Fax:+86-755-27147101

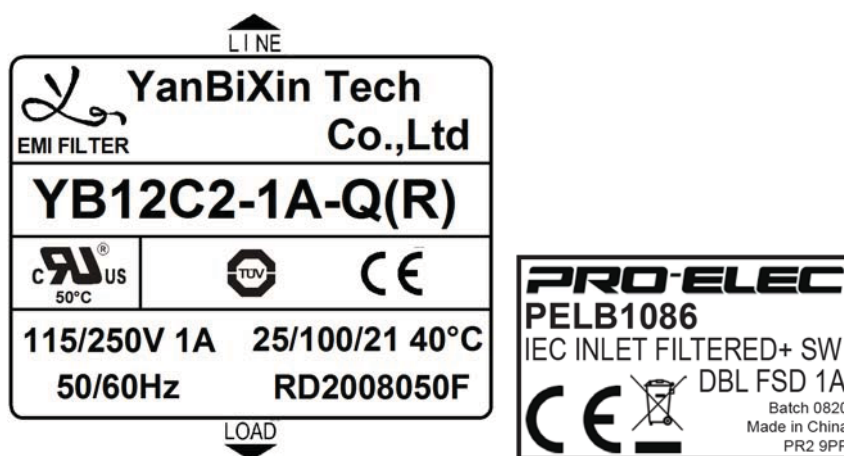
<http://www.yanbixinkeji.com>
E-mail:yanbixin@yeah.net

SPECIFICATION FOR APPROVAL

3/3

Name:	EMI FILTER	Part No.:	RD2008050F
YBX MODEL:	YB12C2-1A-Q(R)	Customer P/N :	CN22400 & PELB1086

6.Label:



7.Carton Label:



Drawing by	Checked by	Approved by	Ordering No.	Unit	Rev.
R & D 2020.08.13 王官九		R & D 2020.08.14 喻钰钊	YB12C2-1A-Q(R)	mm	2020-08-13



Shenzhen yanbixin
technology co.,Ltd

Tel:+86-755-27147102
Fax:+86-755-27147101

<http://www.yanbixinkeji.com>
E-mail:yanbixin@yeah.net