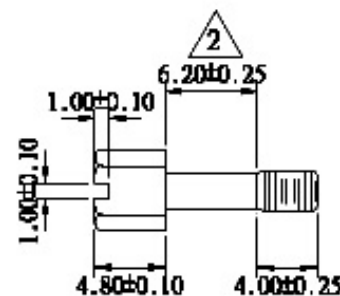
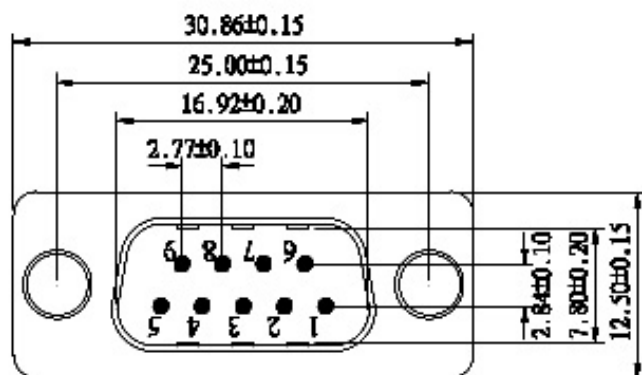
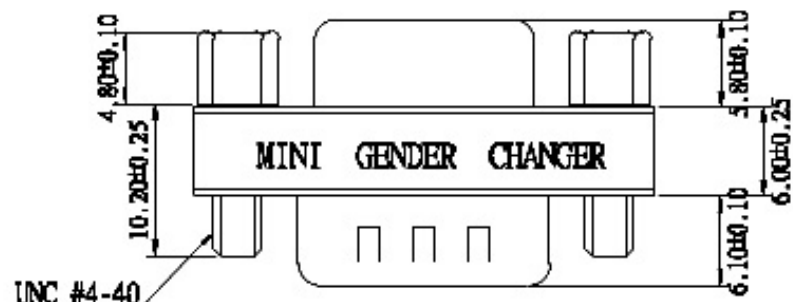
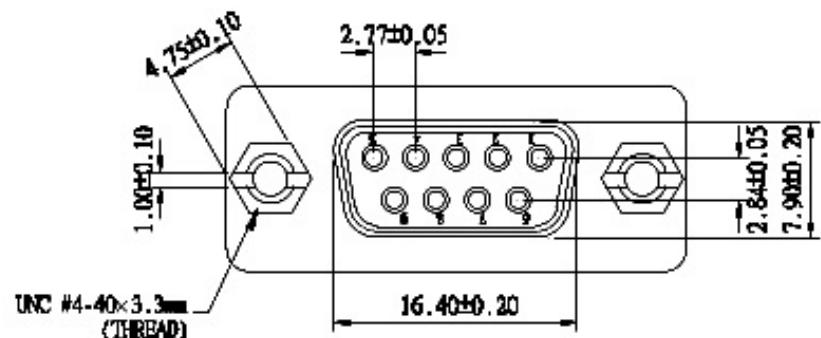


UNC #4-40 Hexscrew



DGC 09 M/F GENDER CHANGER

PIN OUT: 9Male

9Female

1	-----	1
2	-----	2
8	-----	8
9	-----	9
G	-----	G

Label: yellow color with black character

One side: MINI GENDER CHANGER

The other side: U.S.A. PATENT 5199906 MINI GENDER CHANGER

SPECIFICATION

INSULATOR: PBT Glass fibre reinforced UL 94 VO

CONTACT: Brass

CONTACT PLATING: Gold plated over nickel

SHELL: Tin plated shell

CURRENT RATING: 3 AMP

DIELECTRIC STRENGTH: 1000V AC for one minute

INSULATOR RESISTANCE: 1000MΩ min at 500V DC

TEMPERATURE: -55°C—+105°C

Fulfill ROHS Guideline

Edition
A2

SCALE
2:1

UNIT
mm

Page
1/1

REVISIONS
REV. NO. DATE BY

PART NO.

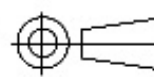
DGC 09 MF4A

DWG NO.

TD0002-03

DATE

30/Jun-2003



DRAWN

Fu Hao

CHECKED

APPD

2

修改線路(線徑5.2mm改為6.2mm)

2003/06/30

1

修改圖紙(R.O.C. PATENT 64341 改為 MINI GENDER CHANGER)

2001/11/30

Customer REVISION

DESCRIPTION

DATE