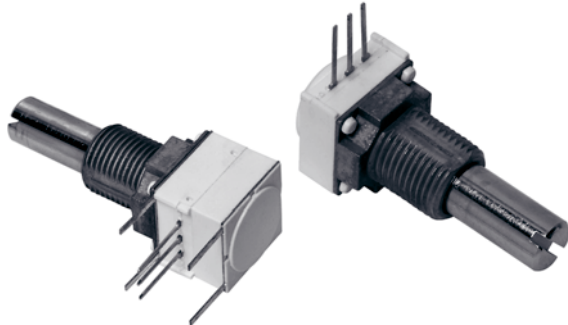


# 1/2" (12.7 mm) Conductive Plastic and Cermet Potentiometers



## 148 FEATURES

- Conductive plastic element
- High rotational life (50 000 cycles)
- Quiet electrical output
- Robust construction

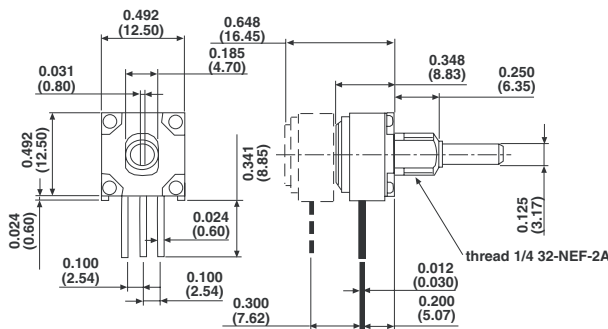


## 149 FEATURES

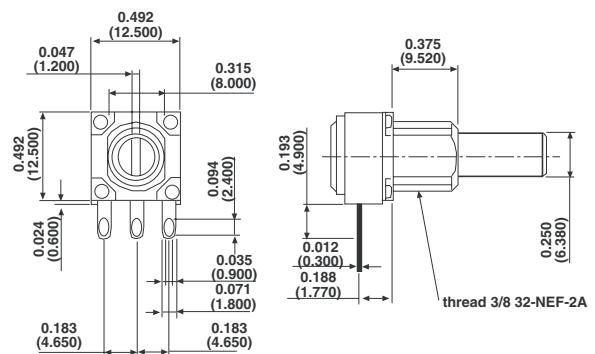
- Cermet element
- Low temperature coefficient ( $\pm 150$  ppm/ $^{\circ}$ C)
- Robust construction

## DIMENSIONS in inches (millimeters)

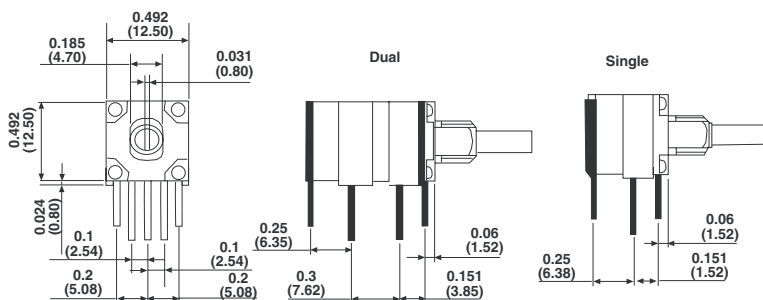
SINGLE, DUAL OR TRIPLE



SOLDER LUG TERMINALS



FRONT AND REAR SUPPORT PLATES  
E = Flush with board surface



Tolerances unless otherwise specified  $\pm 0.5$

**MOUNTING ACCESSORIES: PRODUCT IS SUPPLIED WITH A NUT & WASHER**

## OPTIONAL FEATURES

- Up to three sections PC support plates
- Rotary switches, detents, Solder lugs terminals

## CONSTRUCTION MATERIALS

- Housing - Molded thermoplastic white
- Shaft - Brass, nickel plated



<b>ELECTRICAL SPECIFICATIONS</b>		
PARAMETER	148	149
Resistance Range	1 k $\Omega$ to 1 M $\Omega$ linear 500 $\Omega$ to 500 k $\Omega$ non-linear	100 $\Omega$ to 2.0 M $\Omega$ linear 250 $\Omega$ to 1 M $\Omega$ non-linear
Resistance Tolerance Linear Non-Linear	Standard $\pm 10\%$ to 500K, $\pm 20\%$ over 500K Standard $\pm 10\%$ to 100K, $\pm 20\%$ over 100K	
Taper Tolerance	20 % of the Nominal R at 50 % mechanical rotation	
Linearity (Typical)	$\pm 5\%$ Independent	
End Resistance	4 $\Omega$ maximum each end	
Power Rating	0.5 watts at 70 $^{\circ}$ C 0 watts at 120 $^{\circ}$ C	1 watt at 70 $^{\circ}$ C 0 watt at 150 $^{\circ}$ C
	Non-Linear or PC mount, derate 50 %	
Effective Rotation	270 $^{\circ}$ $\pm$ 10 $^{\circ}$ without rotary switch 240 $^{\circ}$ $\pm$ 10 $^{\circ}$ with rotary switch	
Contact Resistance Variation	1.5 % of total resistance	3 % of total resistance
Maximum Continuous Working Voltage	350 VAC across end terminals, but within power rating	
Dielectric Withstanding Voltage	Sea Level - 750 VAC 70 000 feet - 350 VAC	
Switch Specifications	Rotary (AL) switch: S.P.S.T and S.P.D.T 125 mA, 28 VDC CCW or CW, rotational life 10 000 cycles (rated load)	

<b>MECHANICAL SPECIFICATIONS</b>	
Mechanical Rotation	300 $^{\circ}$ $\pm$ 5 $^{\circ}$
Torque	
Operating	Single section 0.2 to 3.0 oz - in Dual or triple section 0.3 to 4.5 oz - in
Center Detent	0.6 to 3.0 oz - in
Stop Strength	3 in - lbs min
<b>Weight (approx)</b>	
Single	0.19 oz
Dual	0.27 oz
Triple	0.35 oz

<b>ENVIRONMENTAL SPECIFICATIONS</b>		
	148	149
Operating Temperature	- 40 $^{\circ}$ C to + 120 $^{\circ}$ C	- 40 $^{\circ}$ C to + 150 $^{\circ}$ C
Storage Temperature	- 55 $^{\circ}$ C to + 120 $^{\circ}$ C	- 55 $^{\circ}$ C to + 150 $^{\circ}$ C
Temperature Cycling (5 Cycles)	- 40 $^{\circ}$ C to + 120 $^{\circ}$ C (4 % $\Delta$ Rt)	- 40 $^{\circ}$ C to + 150 $^{\circ}$ C (3 % $\Delta$ Rt)
Load Life (1000 hrs. Rated Load at 70 $^{\circ}$ C)	10 % $\Delta$ Rt	5 % $\Delta$ Rt
Rotational Load Life	50 000 cycles	25 000 cycles
TCR	$\pm 1000$ ppm/ $^{\circ}$ C	$\pm 150$ ppm/ $^{\circ}$ C



**MARKING**

Unit Identification: Ink stamp on periphery

ORDERING INFORMATION									
148 MODEL	S NUMBER OF SECTIONS	X MECHANICAL CONFIGURATION	G METRIC BUSHING SIZE & SHAFT	56 SHAFT LENGTH	S SHAFT STYLE	103 RESISTANCE CODE Ω	S TAPER	P TERMINAL CONFIGURATION	e3 LEAD FINISH
<b>FROM THE MOUNTING SURFACE</b>									
148 CP 149 Cer	S: Single D: Duals T: Triple	X: None (single shaft D, T sections) S: Single w/rotary switch P: Dual w/rotary switch	N: 1/4 Dia x 1/4 L Shaft 1/8 Dia J: 1/4 Dia x 3/8 L Shaft, 1/8 Dia G: 3/8 Dia x 3/8 L Shaft, 1/4 Dia	Shaft length code 32: 1/2 in 40: 5/8 in 48: 3/4 in 56: 7/8 in 64: 1 in 80: 1 1/4 in	S: Slotted F: Flatted P: Plain slotted in std. on request F and P	EIA code - first 2 significant digits 3rd is number of zeros 100 10K 500K 250 20K 750K 500 25K 1M 750 50K 2M 1K 75K 2.5K 100K 5K 250K	S: Linear ± 10 % Z: CW Log. ± 10 % to 500 kΩ ± 20 % over 500 kΩ R: CCW Log. ± 10 % to 500 kΩ ± 20 % over 500 kΩ	P: PC, 0.250 E: PC terminals with E support plate S: Solder lugs	e3: Pure Sn

SAP PART NUMBERING GUIDELINES																		
1	4	8	1	0	F	0	G	J	S	X	1	0	1	0	3	K	A	
MODEL			NB OF MOD.		SWITCH	BUSHING	LOCATING PEG		SHAFT		LEADS			OHMIC VALUE/TOL/LAW OR SPECIAL				
See the end of this data book for conversion tables																		



## Notice

Specifications of the products displayed herein are subject to change without notice. Vishay Intertechnology, Inc., or anyone on its behalf, assumes no responsibility or liability for any errors or inaccuracies.

Information contained herein is intended to provide a product description only. No license, express or implied, by estoppel or otherwise, to any intellectual property rights is granted by this document. Except as provided in Vishay's terms and conditions of sale for such products, Vishay assumes no liability whatsoever, and disclaims any express or implied warranty, relating to sale and/or use of Vishay products including liability or warranties relating to fitness for a particular purpose, merchantability, or infringement of any patent, copyright, or other intellectual property right.

The products shown herein are not designed for use in medical, life-saving, or life-sustaining applications. Customers using or selling these products for use in such applications do so at their own risk and agree to fully indemnify Vishay for any damages resulting from such improper use or sale.