

Select Location

- Enclosures
- Enclosure search**

- Solutions & Services

- Products

- Company info

- News & Events

- Contacts

- Downloads

Product card: EKTVT



Sample photo

Product nbr: 3770553
 Description: Mounting plate
 Remarks:
 Package: 10
 Unit: PCS
 Product group: ACCESSORIES
 EAN: 6418074039798
 SSTL number: 3421025
 Electric No. Denmark: 8212007851
 Electric No. Italy: 7590480
 Electric No. Sweden: 2538311

Support items:[Dimensional drawing \(mm\)](#)[Cad-files \(registration needed\)](#)**Dimensions:**

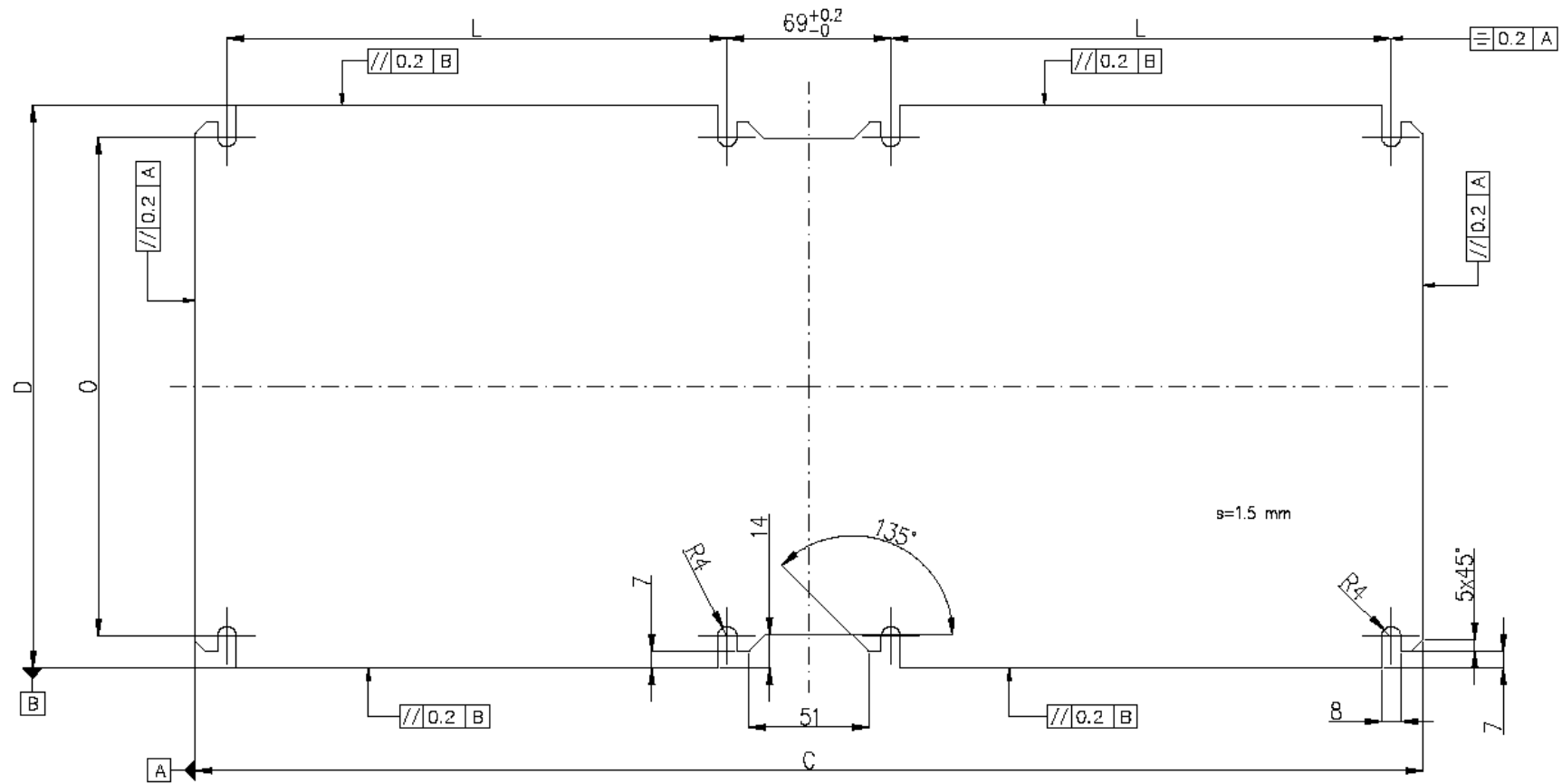
Length (mm): 518
 Width (mm): 238
 Length (inch): 20.3
 Width (inch): 9.3

Product is connected to following catalogs:

Fibox Enclosures : SOLID : ACCESSORIES
 Fibox Enclosures : EK : ACCESSORIES
 Fibox Enclosures : EK : EKT
 Fibox Enclosures : ATEX : FEX
 Fibox Enclosures : SOLID : PC/ABS 5628

COPYRIGHT FIBOX

LEGAL NOTICE



LAJI/TYPE	C	D	L	O	Poino/Weight
EKTVT 1.5	518	238	211 ± 0.4	$211^{0}_{-0.5}$	1365 g
EKUVT 1.5	518	338	211 ± 0.4	$311^{0}_{-0.5}$	1956 g