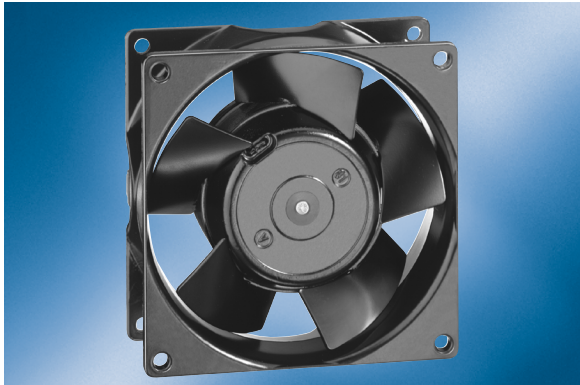


AC axial fan

Series 3000 92 x 92 x 38



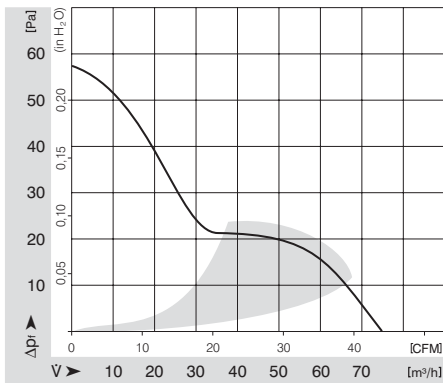
- **General description:** AC fan with internal rotor shaded-pole motor.
- **Impeller material:** Metal
- **Housing material:** Metal

Nominal data

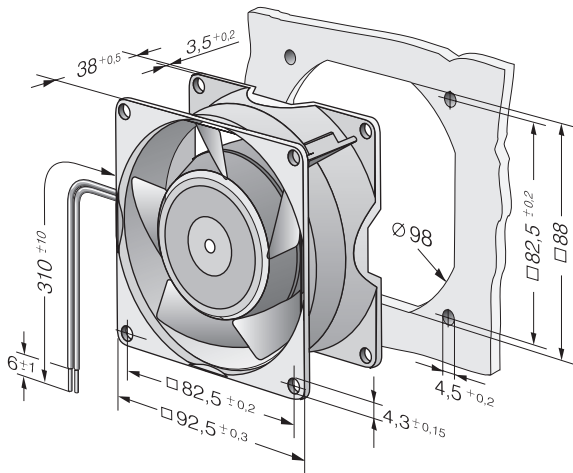
Type	Motor	Voltage VAC	Frequency Hz	Air flow m ³ /h	Speed 1/min	Power consumption W	Sound level Bel	Sound pressure level dB(A)	Ambient temperature °C	L10 service life at 40 °C h	L10 service life at max. temp. h	Weight kg
3650	--	230	50	20.8	2650	12.0	4.8	36	-10 .. 55	52500	37500	0.420

Subject to modification

Characteristic: Pressure over air flow



Specific drawing



AC axial fan

Series 3000 92 x 92 x 38

Technical description

- **General description:** AC fan with internal rotor shaded-pole motor.
- **Housing material:** Metal
- **Direction of rotation:** Right, looking at rotor
- **Electrical connection:** 2 single strands AWG 18, TR 64
- **Approvals:** VDE, CSA, UL, CE
- **Impeller material:** Metal
- **Bearings:** Sintec sleeve bearing system
- **Direction of air flow:** Air exhaust over bars
- **Motor protection:** Protected from overload using impedance protection

Contact

ebm-papst St. Georgen GmbH & Co. KG

Hermann-Papst-Straße 1
D-78112 St. Georgen
Phone +49 (0) 7724 / 81-0
Fax +49 (0) 7724 / 81-1309
info2@de.ebmpapst.com
www.ebmpapst.com