

AC axial fan

Series 3900 92 x 92 x 25

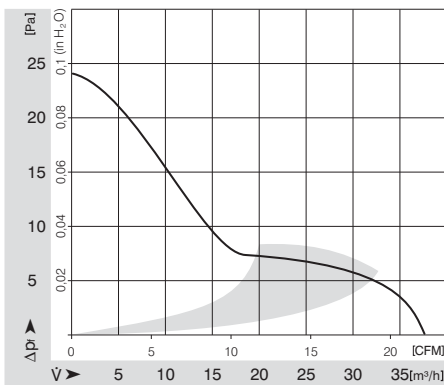


- **General description:** AC fan with internal rotor shaded-pole motor.
- **Impeller material:** Mineral-reinforced PA plastic
- **Housing material:** Metal

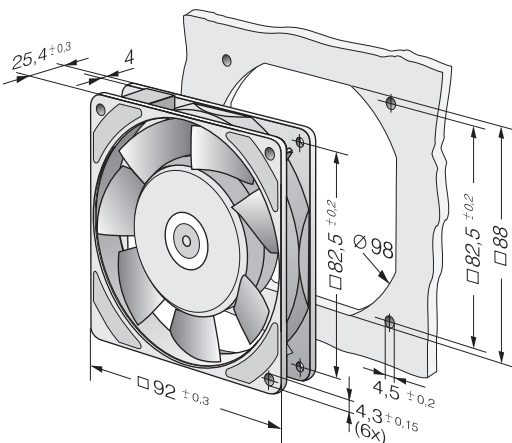
Nominal data		Voltage	Frequency	Air flow	Speed	Power consumption	Sound level	Sound pressure level	Ambient temperature	L10 service life at 40 °C	L10 service life at max. temp.	Weight
Type	Motor	VAC	Hz	m³/h	1/min	W	Bel	dB(A)	°C	h	h	kg
3906 L	--	115	60	39	1850	5.0	4.0	27	-40 .. 80	70000	27500	0.280

Subject to modification

Characteristic: Pressure over air flow



Specific drawing



AC axial fan

Series 3900 92 x 92 x 25

Technical description

- **General description:** AC fan with internal rotor shaded-pole motor.
- **Housing material:** Metal
- **Direction of rotation:** Left, looking at rotor
- **Electrical connection:** 2 flat plugs 2.8 x 0.5 mm. Housing with grounding lug for M4 screw.
- **Approvals:** VDE, CSA, UL, CE
- **Impeller material:** Mineral-reinforced PA plastic
- **Bearings:** Ball bearings
- **Direction of air flow:** Air exhaust over bars
- **Motor protection:** Protected from overload using impedance protection

Contact

ebm-papst St. Georgen GmbH & Co. KG

Hermann-Papst-Straße 1

D-78112 St. Georgen

Phone +49 (0) 7724 / 81-0

Fax +49 (0) 7724 / 81-1309

info2@de.ebmpapst.com

www.ebmpapst.com