

# AC axial fan

Series 3900 92 x 92 x 25

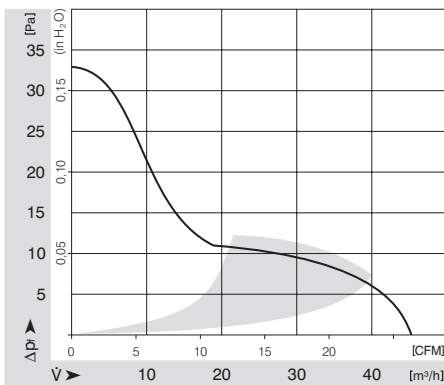


- **General description:** AC fan with internal rotor shaded-pole motor.
- **Impeller material:** Mineral-reinforced PA plastic
- **Housing material:** Metal

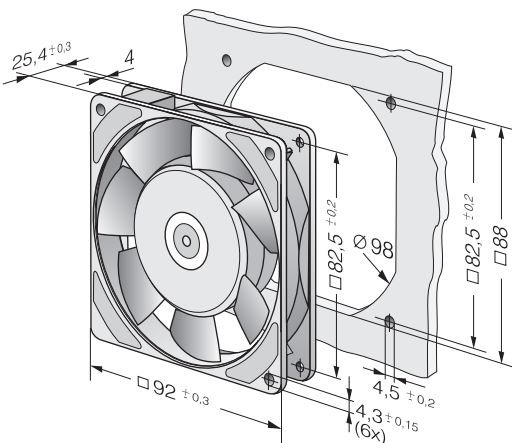
| Nominal data |       | Voltage | Frequency | Air flow | Speed | Power consumption | Sound level | Sound pressure level | Ambient temperature | L10 service life at 40 °C | L10 service life at max. temp. | Weight |
|--------------|-------|---------|-----------|----------|-------|-------------------|-------------|----------------------|---------------------|---------------------------|--------------------------------|--------|
| Type         | Motor | VAC     | Hz        | m³/h     | 1/min | W                 | Bel         | dB(A)                | °C                  | h                         | h                              | kg     |
| 3956 M       | --    | 230     | 50        | 45       | 2150  | 6.0               | 4.2         | 29                   | -40 .. 80           | 70000                     | 27500                          | 0.280  |

Subject to modification

## Characteristic: Pressure over air flow



## Specific drawing



# AC axial fan

Series 3900 92 x 92 x 25

## Technical description

- **General description:** AC fan with internal rotor shaded-pole motor.
- **Housing material:** Metal
- **Direction of rotation:** Left, looking at rotor
- **Electrical connection:** 2 flat plugs 2.8 x 0.5 mm. Housing with grounding lug for M4 screw
- **Approvals:** VDE, CSA, UL, CE
- **Impeller material:** Mineral-reinforced PA plastic
- **Bearings:** Ball bearings
- **Direction of air flow:** Air exhaust over bars
- **Motor protection:** Protected from overload using impedance protection

## Contact

### ebm-papst St. Georgen GmbH & Co. KG

Hermann-Papst-Straße 1

D-78112 St. Georgen

Phone +49 (0) 7724 / 81-0

Fax +49 (0) 7724 / 81-1309

info2@de.ebmpapst.com

www.ebmpapst.com