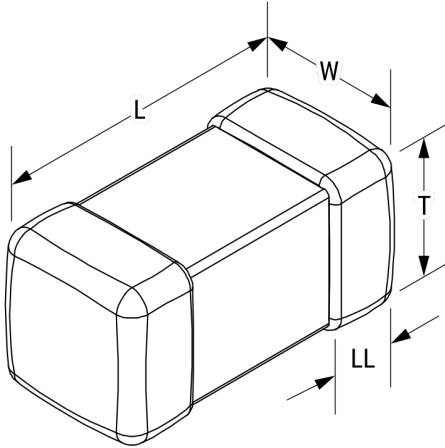


## L1210R100MDWIT

Aliases (L1210R100MDWIT)

KEMET, L-DWI, Power, 10 uH, 20%



Click [here](#) for the 3D model.

### Dimensions

Chip Size	1210
L	3.2mm +/-0.2mm
W	2.5mm +/-0.2mm
T	2.5mm +/-0.2mm
LL	0.6mm +/-0.3mm

### Packaging Specifications

Packaging	T&R
Packaging Quantity	1000

### General Information

Series	L-DWI
Style	SMD Chip
Description	Surface Mount Inductor
Features	High Current Type
RoHS	Yes

### Specifications

Inductance	10 uH (0.1 MHz)
Inductance Tolerance	20%
Temperature Range	-40/+105°C
Current	900 mAmps (Isat, 30% Drop In Inductance), 900 mAmps (Irms, 40C Rise By Self Heating)
DC Resistance	0.133 Ohms
Self-Resonant Frequency	23 MHz