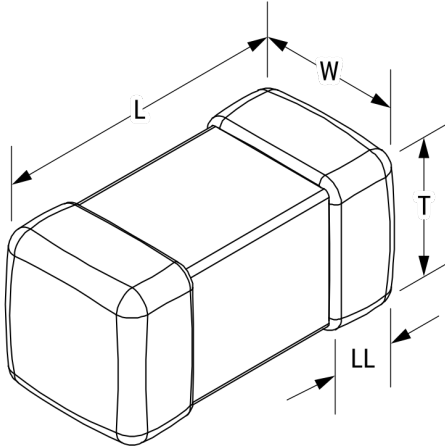


LO603B470KDWFT

Aliases (LO603B470KDWFT)

KEMET, L-DWF, Power, 47 uH, 10%



Click [here](#) for the 3D model.

Dimensions

Chip Size	0603
L	1.6mm +/-0.2mm
W	0.8mm +/-0.2mm
T	0.8mm +/-0.2mm
LL	0.4mm +/-0.15mm

Packaging Specifications

Packaging	T&R
Packaging Quantity	3000

General Information

Series	L-DWF
Style	SMD Chip
Description	Surface Mount Inductor
Features	Bottom Surface Electrode
RoHS	Yes

Specifications

Inductance	47 uH (2.52 MHz)
Inductance Tolerance	10%
Temperature Range	-40/+105°C
Current	50 mAmps (Isat, 30% Drop In Inductance), 140 mAmps (Irms, 40C Rise By Self Heating)
DC Resistance	2.5 Ohms
Self-Resonant Frequency	11 MHz