

PLEASE CHECK WWW.MOLEX.COM FOR LATEST PART INFORMATION

Part Number: **0503978002**
Status: **Active**
Overview: CP Wire-to-Board and Wire-to-Wire Connector Systems
Description: CP-3.3 Wire-to-Board Crimp Terminal, Female, 26-28 AWG, Reel

Documents:

[Drawing \(PDF\)](#) [Datasheet \(PDF\)](#)
[Product Specification 2122090000-PS-000 \(PDF\)](#) [RoHS Certificate of Compliance \(PDF\)](#)
[Packaging Specification SPK-50397-001-001 \(PDF\)](#)

General

Product Family Crimp Terminals
Series [50397](#)
Application Power, Wire-to-Board
Crimp Quality Equipment Yes
Overview [CP Wire-to-Board and Wire-to-Wire Connector Systems](#)
Product Name CP-3.3
UPC 193264100118

Physical

Gender Female
Material - Metal Phosphor Bronze
Material - Plating Mating Tin
Material - Plating Termination Tin
Net Weight 97.000/mg
Packaging Type Reel
Termination Interface: Style Crimp or Compression
Wire Insulation Diameter 1.15-1.40mm
Wire Size AWG 26, 28
Wire Size mm² N/A

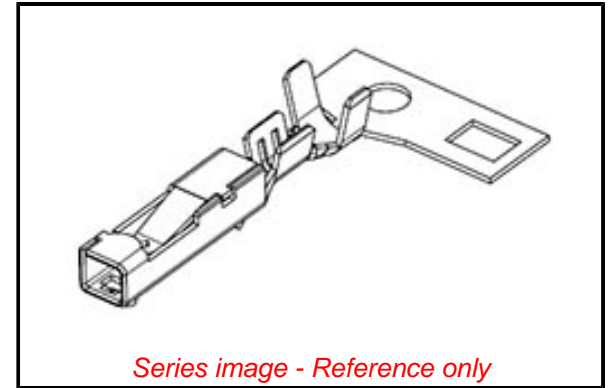
Electrical

Current - Maximum per Contact 8.5A
Voltage - Maximum 500V AC/DC

Material Info

Reference - Drawing Numbers

Packaging Specification [SPK-50397-001-001](#)
Product Specification [2122090000-PS-000](#)
Sales Drawing [503970001-SD-000](#)



Series image - Reference only

EU ELV

Not Relevant

EU RoHS

Compliant

REACH SVHC

Not Contained Per -
D(2020)4578-DC (25
June 2020)

Halogen-Free

Status

Low-Halogen

For more information, please visit [Contact US](#)

China ROHS

ELV

RoHS Phthalates

China RoHS

Green Image

Not Relevant

Not Contained

Search Parts in this Series

[50397 Series](#)

Use With

[CP-3.3 Receptacle Housing 212209](#)

Application Tooling | FAQ

Tooling specifications and manuals are found by selecting the products below. Crimp Height Specifications are then contained in the Application Tooling Specification document.

Global

Description

Product #

Extraction Tool for [638138600](#)
MTC (Multi Terminal
Connector) Female
Terminal, 14-18
AWG