



Product Change Notification / KSRA-15BCAH919

Date:

26-Nov-2020

Product Category:

Memory

PCN Type:

Manufacturing Change

Notification Subject:

CCB 4437 Final Notice: Implement MMT shipping tube for selected AT27xxxx, AT28xxxx and SST39xxxx products available in 32L PLCC package.

Affected CPNs:

[KSRA-15BCAH919_Affected_CPN_11262020.pdf](#)
[KSRA-15BCAH919_Affected_CPN_11262020.csv](#)

Notification Text:

PCN Status:

Final notification.

PCN Type: Manufacturing Change

Microchip Parts Affected: Please open one of the icons found in the Affected CPNs section above.

NOTE: For your convenience Microchip includes identical files in two formats (.pdf and .xls).

Description of Change: Implement MMT shipping tube for selected AT27xxxx, AT28xxxx and SST39xxxx products available in 32L PLCC package.

Pre Change:

LPI shipping tube

Post Change:

MMT shipping tube

Pre and Post Change Summary:

	Pre Change	Post Change
Shipping Tube	LPI shipping tube	MMT shipping tube
	See attached photos for the pre and post changes	

Impacts to Data Sheet: None

Change Impact:None

Reason for Change:To improve on-time delivery performance by implementing MMT shipping tube

Change Implementation Status:In Progress

Estimated First Ship Date:

December 26, 2020 (date code: 2052)

NOTE: Please be advised that after the estimated first ship date customers may receive pre and post change parts.

Time Table Summary:

	November 2020				December 2020			
Workweek	45	46	47	48	49	50	51	52
Final PCN Issue Date				X				
Estimated Implementation Date								X

Method to Identify Change: Traceability code, shipping tube

Qualification Report:Not applicable

Revision History:November 26, 2020: Issued final notification.

The change described in this PCN does not alter Microchip’s current regulatory compliance regarding the material content of the applicable products.

Attachments:

[PCN_KSRA-15BCAH919_Pre and Post Change Summary.pdf](#)

Please contact your local **Microchip sales office** with questions or concerns regarding this notification.

Terms and Conditions:

If you wish to receive Microchip PCNs via email please register for our PCN email service at our [PCN home page](#) select register then fill in the required fields. You will find instructions about registering for Microchips PCN email service in the [PCN FAQ](#) section.

If you wish to change your PCN profile, including opt out, please go to the [PCN home page](#) select login and sign into your myMicrochip account. Select a profile option from the left navigation bar and make the applicable selections.

Affected Catalog Part Numbers (CPN)

AT28C64B-15JU
AT28HC64B-70JU
AT28HC64B-90JU
AT28HC64B-12JU
AT28HC64BF-12JU
AT28BV64B-20JU
AT27BV256-70JU
AT27LV256A-90JU
AT27LV512A-90JU
AT27BV010-90JU
AT27LV010A-70JU
AT27LV020A-12JU
AT27C256R-45JU
AT27C256R-70JU
AT27C256R-70JU-306
AT27C512R-45JU
AT27C512R-70JU
AT27C020-55JU
AT27C020-90JU
AT27C010-45JU
AT27C010-70JU
SST39LF040-55-4C-NHE
SST39LF020-55-4C-NHE
SST39LF010-55-4C-NHE
SST39LF020-55-4C-NHE-RVL
SST39LF040-55-4C-NHE-RVL
SST39VF040-70-4C-NHE
SST39VF020-70-4C-NHE
SST39VF010-70-4C-NHE
SST39VF040-70-4C-NHE-DP003
SST39VF040-70-4C-NHE-PP013
SST39VF040-70-4C-NHE-RVL
SST39LF040-55-4C-NHE-A3
SST39VF020-70-4C-NHE-RVL
SST39LF010-55-4C-NHE-RVL
SST39VF040-70-4I-NHE
SST39VF020-70-4I-NHE
SST39VF010-70-4I-NHE
SST39SF040-55-4C-NHE
SST39SF020A-55-4C-NHE
SST39SF010A-55-4C-NHE
SST39SF040-70-4C-NHE
SST39SF020A-70-4C-NHE
SST39SF010A-70-4C-NHE
SST39SF040-70-4C-NHE-PP009
SST39SF040-55-4I-NHE

SST39SF020A-55-4I-NHE
SST39SF010A-55-4I-NHE
SST39SF040-70-4I-NHE
SST39SF020A-70-4I-NHE
SST39SF010A-70-4I-NHE
SST39SF010A-45-4I-NHE
SST39LF010-55-4C-NHE-RVL-T
SST39VF010-70-4C-NHE-RVL-T
SST39VF040-70-4I-NHE-T
SST39VF010-70-4I-NHE-T
SST39LF020-55-4C-NHE-T
SST39LF010-55-4C-NHE-T
SST39LF040-55-4C-NHE-T
SST39VF020-70-4I-NHE-T
SST39SF040-55-4C-NHE-T
SST39SF020A-55-4C-NHE-T
SST39SF010A-55-4C-NHE-T
SST39SF040-70-4C-NHE-T
SST39SF020A-70-4C-NHE-T
SST39SF010A-70-4C-NHE-T
SST39SF040-55-4I-NHE-T
SST39SF020A-55-4I-NHE-T
SST39SF010A-55-4I-NHE-T
SST39SF040-70-4I-NHE-T
SST39SF020A-70-4I-NHE-T
SST39SF010A-70-4I-NHE-T
SST39SF010A-45-4I-NHE-T

**Implement MMT shipping tube
for selected AT27xxxx, AT28xxxx
and SST39xxxx products available
in 32L PLCC package.**



A Leading Provider of Smart, Connected and Secure Embedded Control Solutions

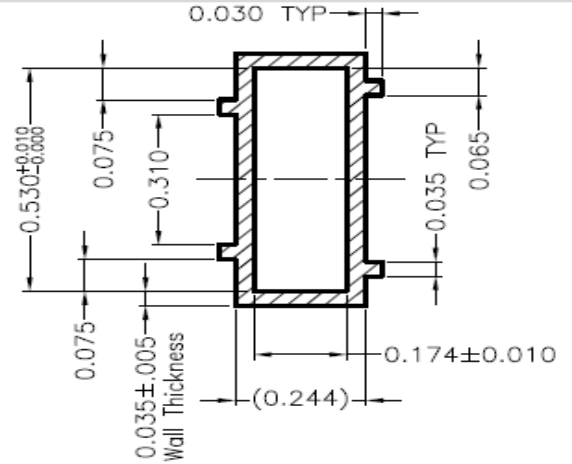
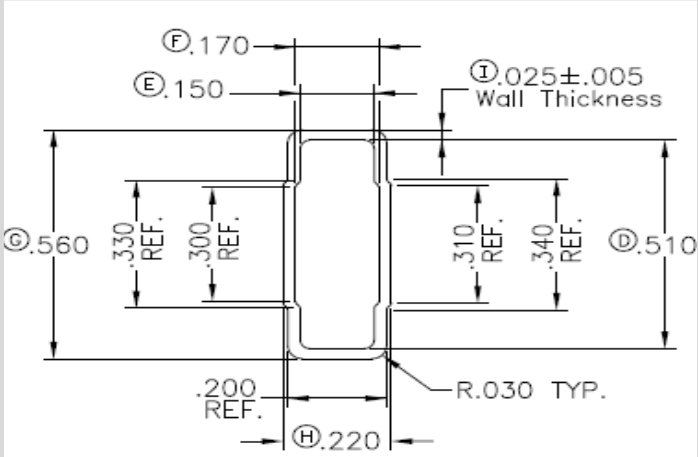


SMART | CONNECTED | SECURE

**KSRA-15BCAH919
CCB 4437**

Shipping Tube Pre and Post Change

❑ Tube Comparison (AT27xxxx and AT28xxxx Products):

Pre change	Post change
Tube Dimension	
<p>Length: 20.40+/-0.10 inch Width: 0.600+0.015/-0.005 inch Tube Opening Length (A): 0.174 + 0.010 inch Tube Opening Width (B): 0.530+0.010/-0.000 inch Wall thickness (T): 0.035 + 0.005 Tube Opening:</p>	<p>Length: 21.70 ± 0.045 inch Width: 0.560 ± 0.015 inch Tube Opening Length (A): 0.170 ± 0.010 inch Tube Opening Width (B): 0.510 ± 0.010 inch Wall thickness (T): 0.025 ± 0.005 inch Tube Opening:</p>
	

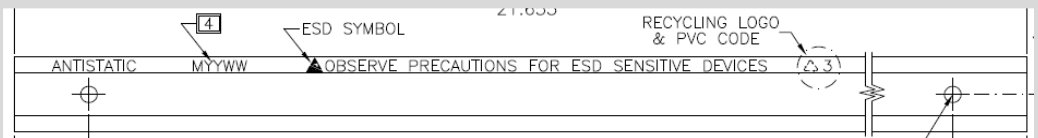

Shipping Tube Pre and Post Change

Pre change

Post change

Tube Photo and Illustration

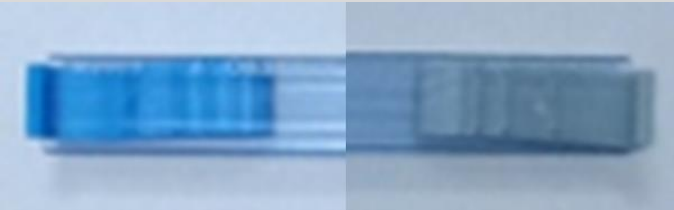
For AT27xxxx and AT28xxxx Products



Tube Stopper



Blue colored stopper only on both ends



Blue and gray colored stopper

Shipping Tube Pre and Post Change

❑ Tube Comparison (SST39xxxx products):

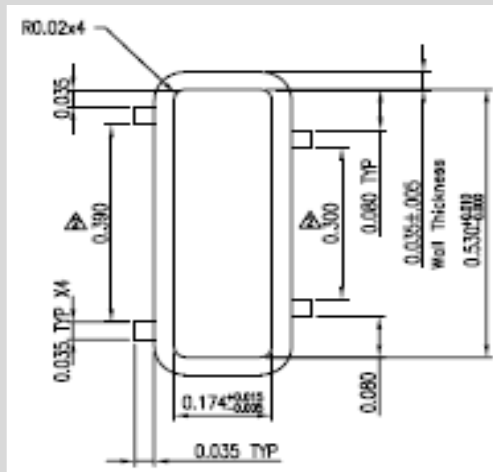
Pre change

Post change

Tube Dimension

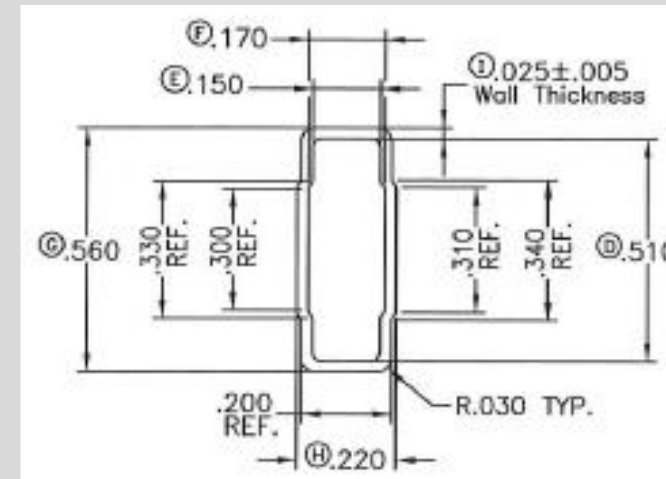
Length: 19.40+/-0.05 inch
Width: 0.600+0.015/-0.005 inch
Tube Opening Length (A): 0.174+0.010/-0.005 inch
Tube Opening Width (B): 0.530+0.010/-0.000 inch
Wall thickness (T): 0.035 ± 0.005

Tube Opening:



Length: 20.02 ± 0.05 inch
Width: 0.560 ± 0.015 inch
Tube Opening Length (A): 0.170 ± 0.010 inch
Tube Opening Width (B): 0.510 ± 0.010 inch
Wall thickness (T): 0.025 ± 0.005 inch

Tube Opening:



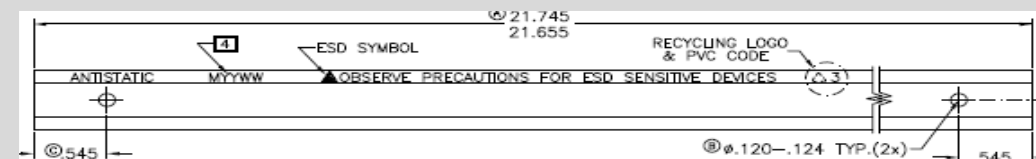
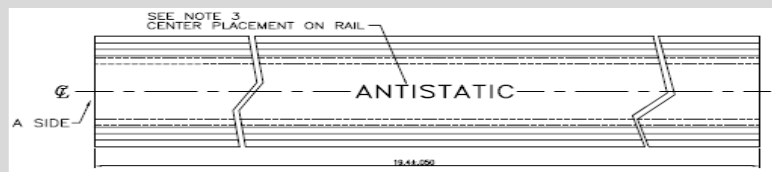
Shipping Tube Pre and Post Change

Pre change

Post change

Tube Photo and Illustration

For SST39xxxx products



Tube Stopper



Blue and white colored stopper



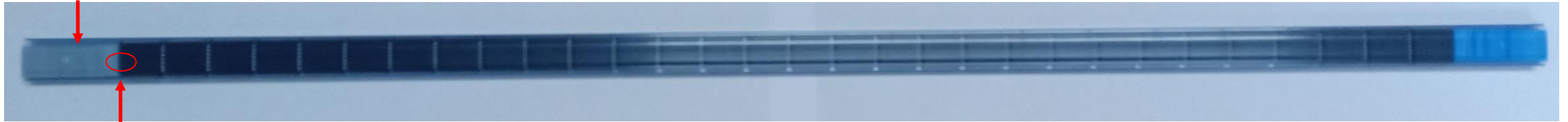
Blue and gray colored stopper

Shipping Tube Pre and Post Change

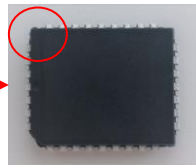
BQM 30 units/Tube (SST39xxx products) products: Pin 1 Orientation in tube

Grey plug

Blue plug



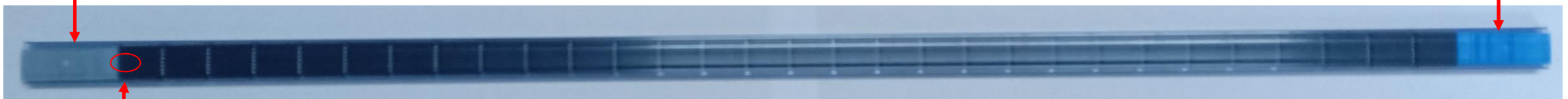
Pin#1 notch



BQM 32 units/Tube (AT27xxx and AT28xxx Products): Pin 1 Orientation in tube

Grey plug

Blue plug



Pin#1 notch

