



## Description:

Suited for IP67 (wet) environments, the SGD provides a userselectable 4 to 20mA or 0 to 10V DC absolute linear position signal over an 80-inch or 120-inch full stroke range option. Signal selection is simply made by connecting the appropriate pins on the included connector or selecting the proper wires in the optional cordset. Additionally, this sensor is constructed with a rugged polycarbonate body, an extremely durable spring-loaded stainless steel measuring cable and a mounting bracket that lets the customer mount this sensor in just about any direction.

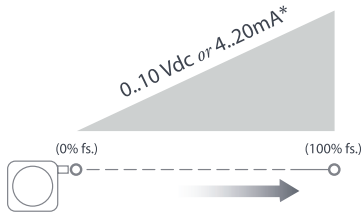
## Specifications:

Stroke Range	: 80 inches (2,032 mm), 120 inches (3,048mm)
User Selectable Output Signal	: 4 to 20mA (2-wire) / 0 to 10V DC
Input Voltage, 4 to 20mA option	: 8 to 40V DC
Input Voltage, 0 to 10V DC option	: 12 to 32V DC
Accuracy	: 0.35% FS.
Repeatability	: 0.05% FS.
Resolution	: Essentially Infinite
Measuring Cable	: 0.019-inch dia. nylon-coated stainless steel
Maximum Acceleration	: 10g
Measuring Cable Tension	: 9oz. (2,5 N) ±30%
Sensor	: Plastic-hybrid precision potentiometer
Cycle Life	: ≥ 250,000
Electrical Connection	: M12 connector (mating plug included)
Enclosure	: Glass-filled polycarbonate
Environmental	: IP 67
Operating Temperature	: 0°F to 160°F (-18°C to 70°C)
Weight, 80-inch (not including bracket)	: 0.6 lbs. (272g)
Weight, 120-inch (not including bracket)	: 1 lb. (453 g)

## Ordering Information:

Part Number	Description
SGD-80-3	80-inch stroke range, 4 to 20mA / 0 to 10V DC output M12 connector, IP67 environments, mounting bracket included
SGD-120-3	120-inch stroke range, 4 to 20mA / 0 to 10V DC output M12 connector, IP67 environments, mounting bracket included

## Output Signal:

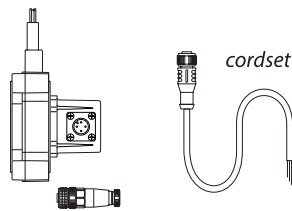


Signal Endpoint Tolerances

Output Signal*	0% fs.	100% fs.
4 to 20mA	4 – 4.25mA	19.2 – 20mA
0 to 10V DC	0 – 0.2V DC	9.5 – 10V DC

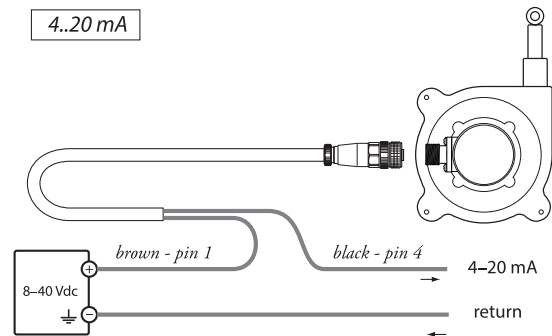
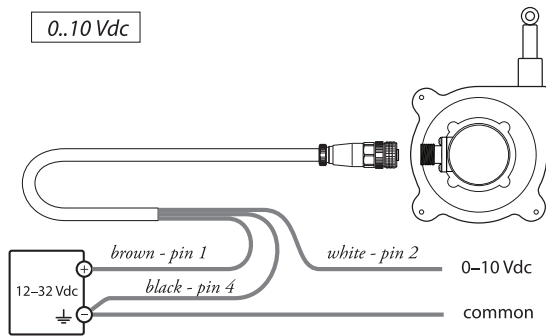
\*Note: signal endpoints are set at the time of manufacture and cannot be adjusted

## Electrical Connection:

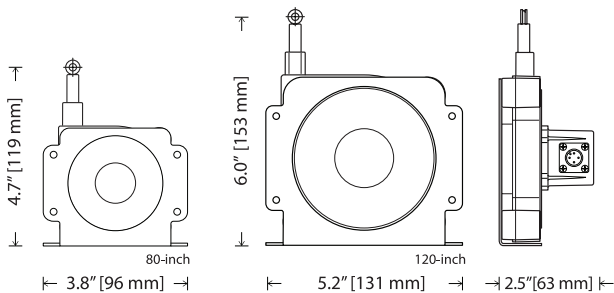


Output Signals

0 to 10V DC	4 to 20mA	Pin	Pin - Colour Code
12 to 32V DC	8 to 40V DC	1	1 - Brown
0 to 10V DC	n/c	2	2 - White
n/c	n/c	3	3 - Blue
Common	4 to 20mA	4	4 - Black

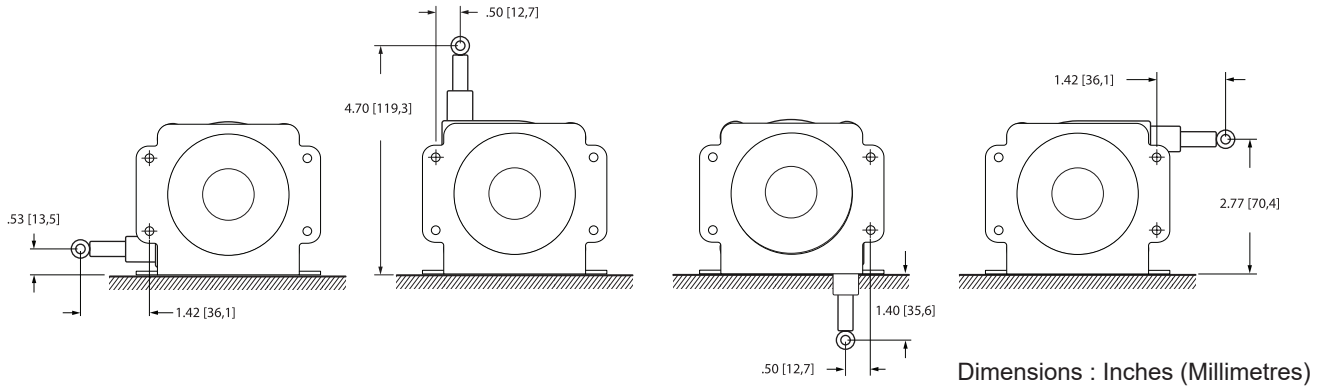


## Dimensions:

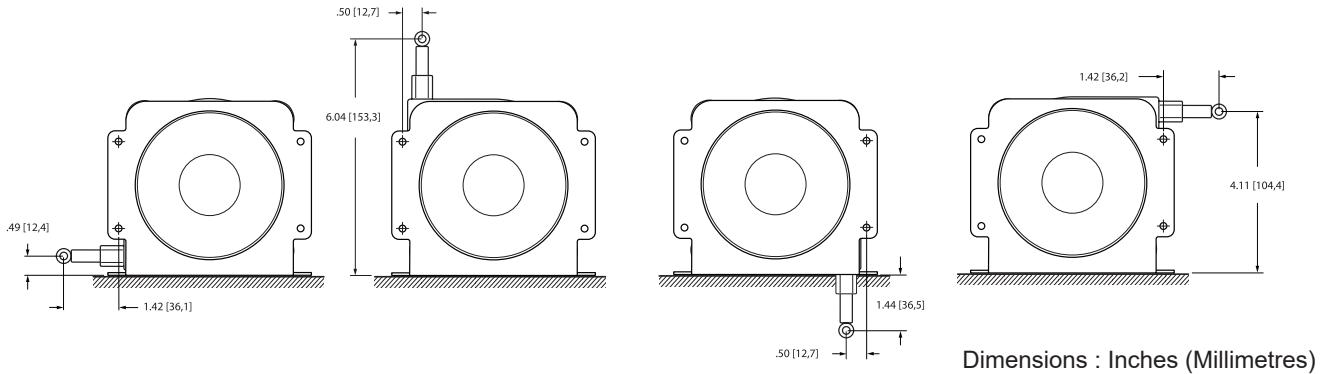


Newark.com/multicomp-pro  
 Farnell.com/multicomp-pro  
 Element14.com/multicomp-pro

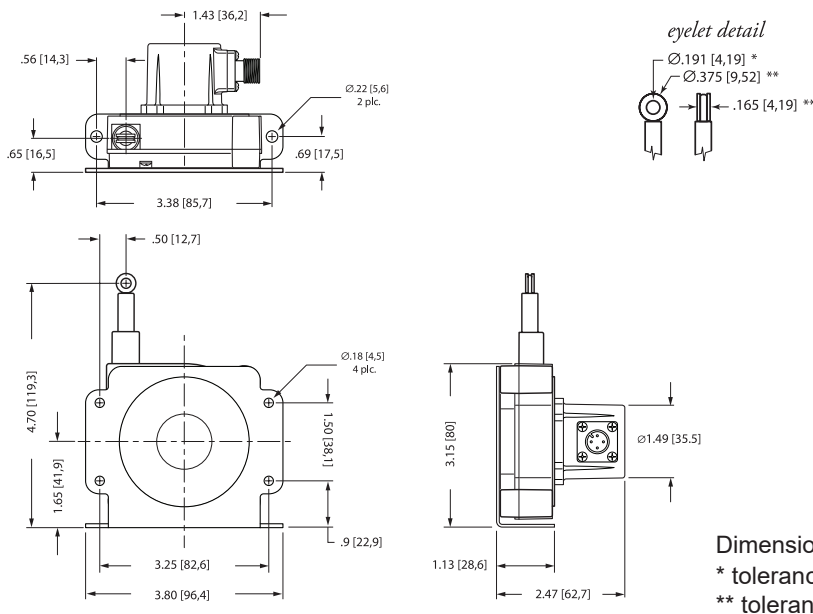
## Mounting Options (SGD-80-3):



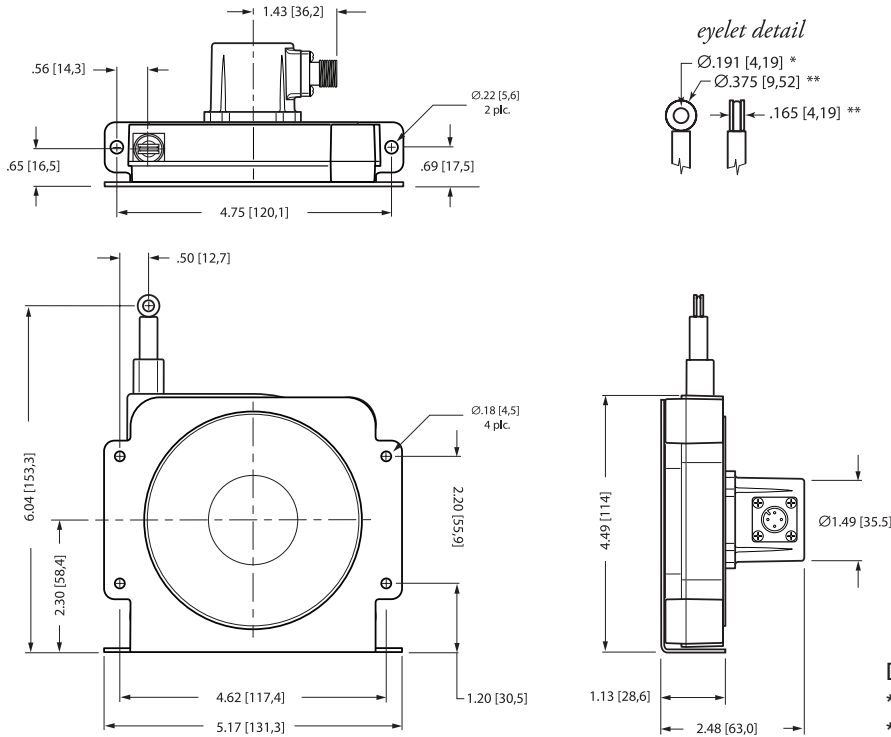
## Mounting Options (SGD-120-3):



## SGD-80-3 w/ Mounting Bracket:



## SGD-120-3 w/ Mounting Bracket:



Dimensions : Inches (Millimetres)  
 \*tolerance = +.005 – .001 [+ .13 – .03]  
 \*\* tolerance = +.005 – .005 [+ .13 – .13]

## Part Number Table

Description	Part Number
Cable Extension Transducer, 80"	SGD-80-3
Cable Extension Transducer, 120"	SGD-120-3

**Important Notice :** This data sheet and its contents (the "Information") belong to the members of the AVNET group of companies (the "Group") or are licensed to it. No licence is granted for the use of it other than for information purposes in connection with the products to which it relates. No licence of any intellectual property rights is granted. The Information is subject to change without notice and replaces all data sheets previously supplied. The Information supplied is believed to be accurate but the Group assumes no responsibility for its accuracy or completeness, any error in or omission from it or for any use made of it. Users of this data sheet should check for themselves the Information and the suitability of the products for their purpose and not make any assumptions based on information included or omitted. Liability for loss or damage resulting from any reliance on the Information or use of it (including liability resulting from negligence or where the Group was aware of the possibility of such loss or damage arising) is excluded. This will not operate to limit or restrict the Group's liability for death or personal injury resulting from its negligence. Multicomp Pro is the registered trademark of Premier Farnell Limited 2019.