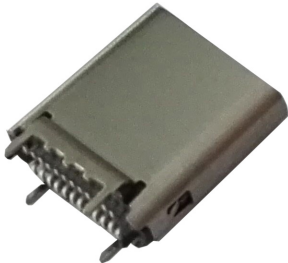


# USB 3.1 Type C Receptacle

## Vertical SMT, 8.9mm Height

**multicomp** PRO

**RoHS  
Compliant**



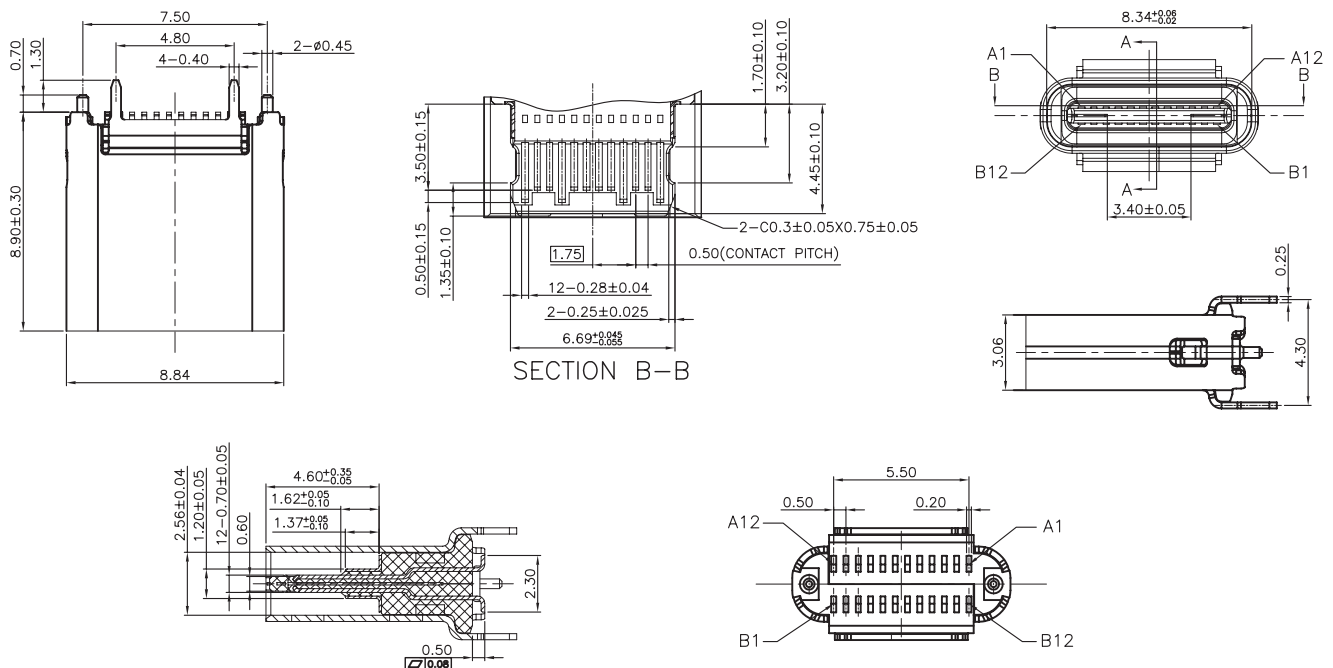
### Specifications

|                        |   |
|------------------------|---|
| USB Connector Type     | : USB 3.1 Type C Receptacle   |
| No. of Contacts        | : 24  |
| USB Connector Mounting | : Vertical Surface Mount  |
| Insulator Material     | : High Temperature Plastic UL94V-0, Black   |
| Shell Material         | : Stainless Steel (0.2mm), 50µ" Min. Nickel Plating All Over                                      |
| Contact Material       | : Copper Alloy (0.15mm)   |
| Contact Plating        | : Min. 50µ" Gold Plating All Over Contact Area<br>Min. 80µ" Matt Tin Plating All Over Solder Area |
| Contact Resistance     | : 40mΩ Max. For Initial; 10mΩ for Initial   |

### Measure @ 20mV, 100mA after test

|                                 |  |
|---------------------------------|--|
| Contact Current Rating          | : 5A for VBUS Pin; 1.25A for VCONN Pin |
| Dielectric Withstanding Voltage | : 100V AC RMS                          |
| Insulation Resistance           | : 100MΩ Min.                           |
| Operating Temperature           | : -40°C ~ 85°C                         |
| Mating Force                    | : 5 ~ 20N                              |
| Unmated Force                   | : 6 ~ 20N                              |
| Durability                      | : 10,000 Cycles                        |

### Diagram



Dimensions : Millimetres

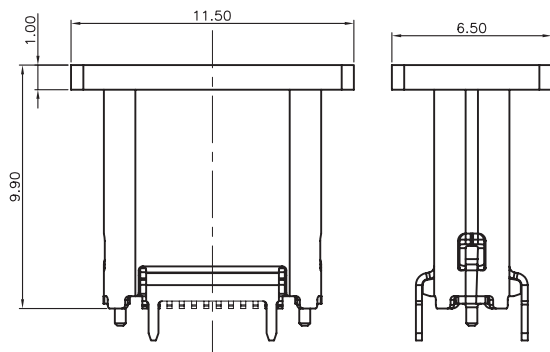
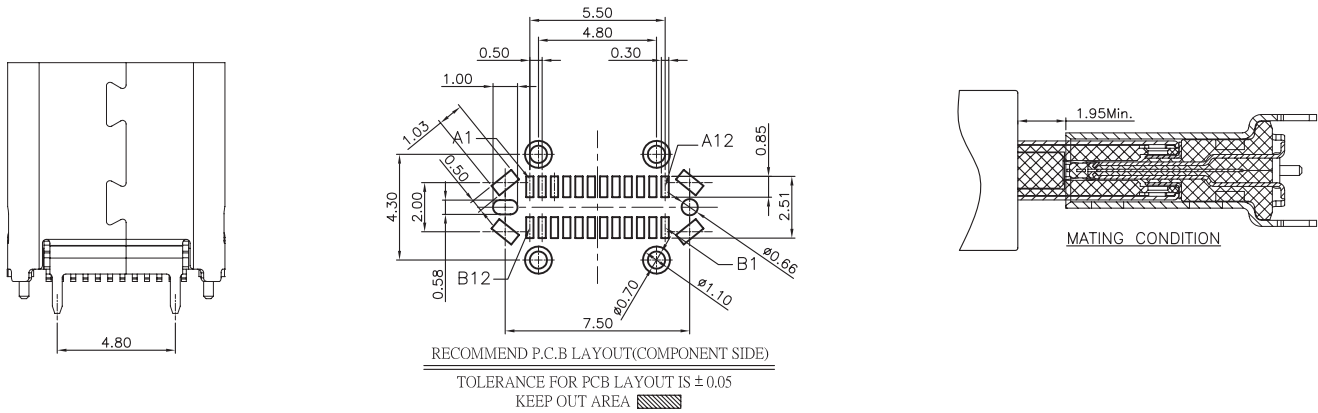
Newark.com/multicomp-pro  
Farnell.com/multicomp-pro  
Element14.com/multicomp-pro

**multicomp** PRO

# USB 3.1 Type C Receptacle

## Vertical SMT, 8.9mm Height

**multicomp** PRO



INCREASE THE DIAGRAMS OF CAP

| Pin   | Signal Name      | Mating Sequence | Pin   | Signal Name      | Mating Sequence |
|-------|------------------|-----------------|-------|------------------|-----------------|
| A1    | GND              | First           | B12   | GND              | First           |
| A2    | SSTXp1           | Second          | B11   | SSRXp1           | Second          |
| A3    | SSTXn1           | Second          | B10   | SSRXn1           | Second          |
| A4    | V <sub>BUS</sub> | First           | B9    | V <sub>BUS</sub> | First           |
| A5    | CC1              | Second          | B8    | SBU2             | Second          |
| A6    | Dp1              | Second          | B7    | Dn2              | Second          |
| A7    | Dn1              | Second          | B6    | Dp2              | Second          |
| A8    | SBU1             | Second          | B5    | CC2              | Second          |
| A9    | V <sub>BUS</sub> | First           | B4    | V <sub>BUS</sub> | First           |
| A10   | SSRXn2           | Second          | B3    | SSTXn2           | Second          |
| A11   | SSRXp2           | Second          | B2    | SSTXp2           | Second          |
| A12   | GND              | First           | B1    | GND              | First           |
| SHELL | GND              |                 | SHELL | GND              |                 |

Dimensions : Millimetres

This product range is available in Cut & Tape and Tape & Reel Options

### Part Number Table

| Description  | Part Number |
|--|-------------|
| USB 3.1 Type C Receptacle, 24Pos, Vertical SMT, 8.9mm Height | MC002809    |

**Important Notice :** This data sheet and its contents (the "Information") belong to the members of the AVNET group of companies (the "Group") or are licensed to it. No licence is granted for the use of it other than for information purposes in connection with the products to which it relates. No licence of any intellectual property rights is granted. The Information is subject to change without notice and replaces all data sheets previously supplied. The Information supplied is believed to be accurate but the Group assumes no responsibility for its accuracy or completeness, any error in or omission from it or for any use made of it. Users of this data sheet should check for themselves the Information and the suitability of the products for their purpose and not make any assumptions based on information included or omitted. Liability for loss or damage resulting from any reliance on the Information or use of it (including liability resulting from negligence or where the Group was aware of the possibility of such loss or damage arising) is excluded. This will not operate to limit or restrict the Group's liability for death or personal injury resulting from its negligence. Multicomp Pro is the registered trademark of Premier Farnell Limited 2019.

Newark.com/multicomp-pro  
 Farnell.com/multicomp-pro  
 Element14.com/multicomp-pro

**multicomp** PRO