

Customer : ROXBURGH ELECTRONICS LIMITED

No. KX-96-0795

Date : Jan. 29, 1996

Attention:

Your ref. No:

Your Part. No: 21 1140

SPECIFICATIONS

ALPS :

MODEL RK09K11310KA

Spec. No. :

Sample No. : G0445613M

RECEIPT STATUS
 RECEIVED
 By. Date _____
 Signature _____
 Name _____
 Title _____

ALPS ELECTRIC CO., LTD.

HEAD OFFICE
 1-7, YUKIGAYA-OHTSUKA-CHO,
 OHTA-KU, TOKYO 145 JAPAN

DSG'D M. Sato

APP'D C. Maeda

ENG. DEPT. DIVISION

Sales _____

SPECIFICATIONS

1. THIS SPECIFICATIONS APPLY TO RK09K1130 POTENTIOMETERS.

2. CONTENTS OF THIS SPECIFICATIONS.

G0445613M
K091C0Z06

3. MARKING

· MARKING ON ALL UNITS
DATE CODE, RESIST. VALUE, TAPER

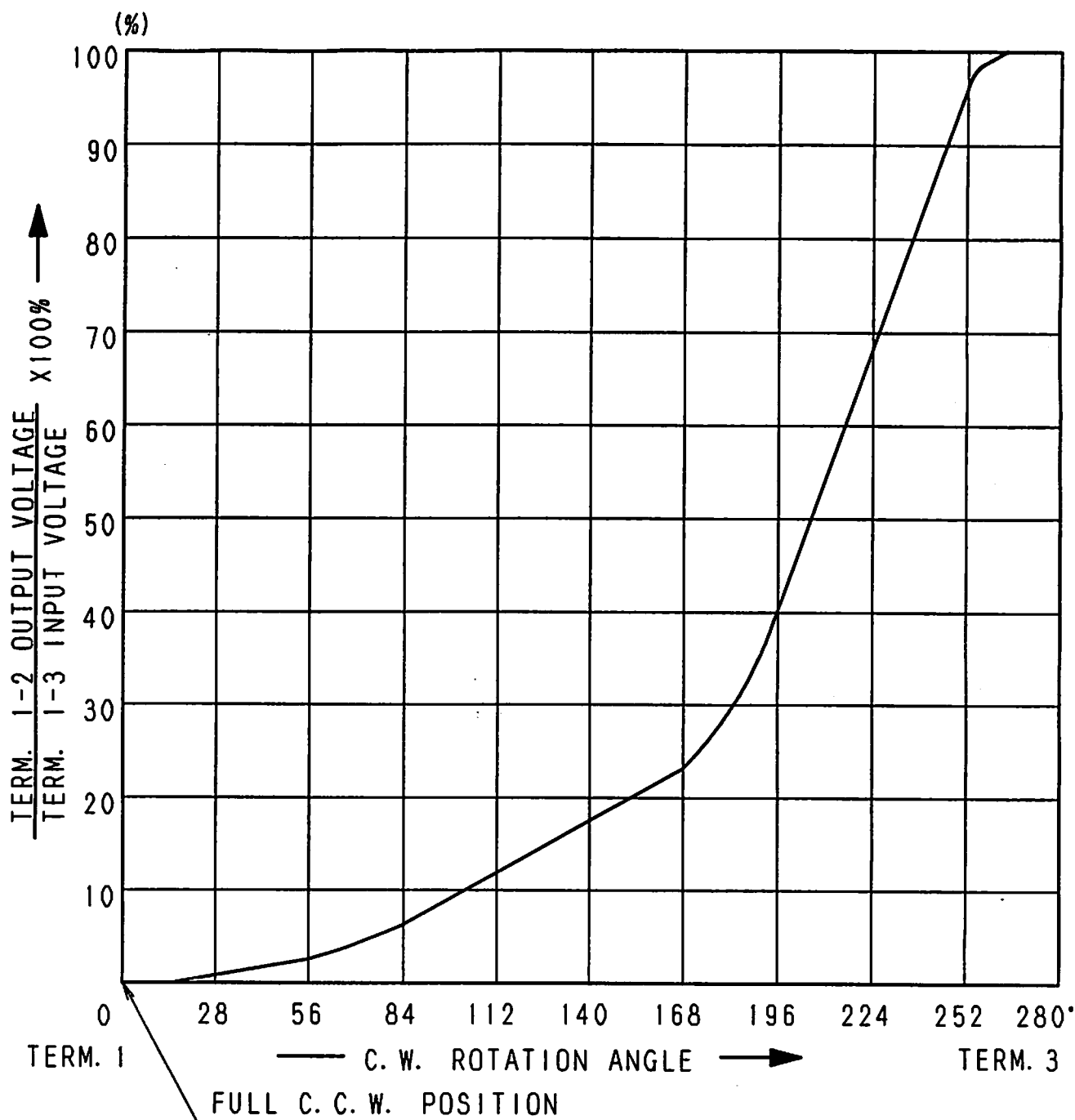
4. REMARKS

· NOTES

· METHOD OF MARKING
TO BE STAMPED WITH BLACK INK OR LASER MARKING
· This unit uses polycarbonate. To be careful for using this unit in such violent gas atmospheric condition as ammonia, amine, alkaline aqueous solution, aromatic hydrocarbon, keton, ester, alkyl hydrocarbon, etc.

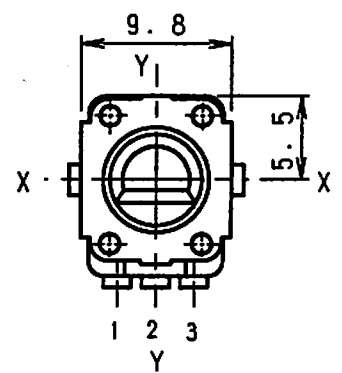
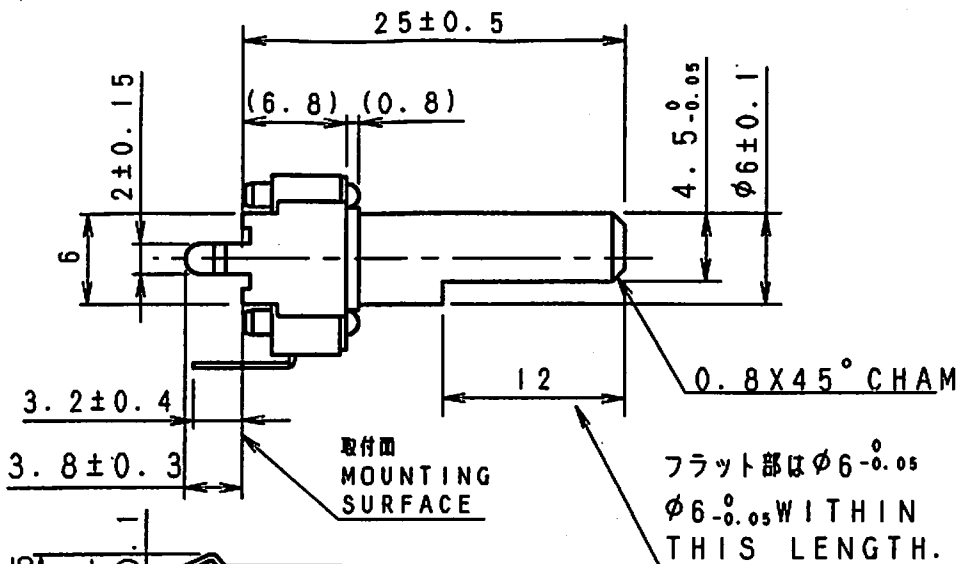


ALPS ELECTRIC CO., LTD
1-7 YUKIGAYA OTSUKA-CHO OTA-KU TOKYO JAPAN

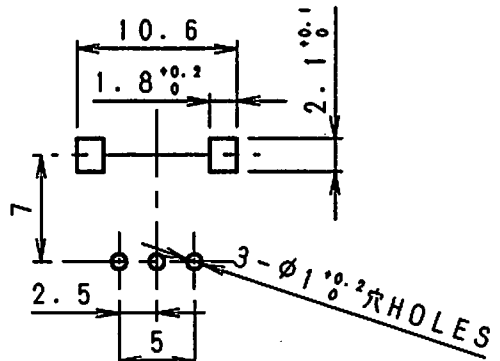
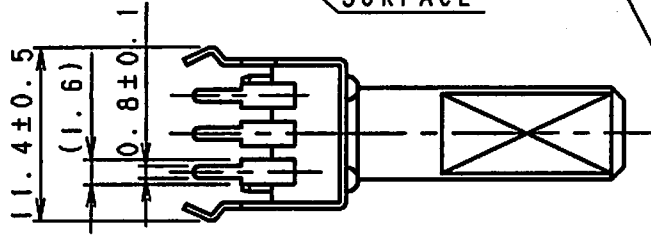


AT 140° C. W. SHAFT ROTATION FROM FULL C. C. W. POSITION VOLTAGE PERCENT SHALL FALL WITHIN THE LIMITS OF 10~25 PERCENT.

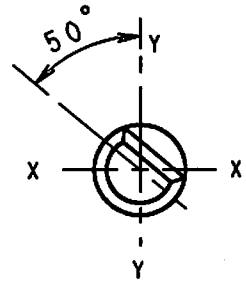
					APPD.	CHKD.	DSGD.	NAME
					Jul. 13. '93	Jul. 13. '93	Jul. 13 '93	RESISTANCE TAPER (A)
					K. Magami	K. Sasaki	K. Suzuki	DOCUMENT NO.
SYMB	DATE	APPD	CHKD	DSGD				G0445613M



軸はセンター位置を示す。
SHAFT SHOWN IN CENTER POSITION.



端子取付穴寸法図 (挿入側より見た図)
(許容差±0.1)
MOUNTING HOLE DETAIL
(TOLERANCE±0.1)
VIEWED FROM MOUNTING SIDE



軸は反時計方向に回し切った状態を示す。
SHAFT SHOWN IN FULL C. C. W. POSITION.

製品重量: 1.8 g
NET WEIGHT

指定なき部分の許容差 TOLERANCES UNLESS OTHERWISE SPEC	
$L \leq 10$	±0.3
$10 < L < 100$	±0.5
$100 \leq L$	±0.8
角度 ANGULAR DIMENSION	±5°

			SHAFT COLOR : BLACK (B)		
PART NO.	NAME	MATERIAL NAME / CODE	FINISH		
ALPS ALPS ELECTRIC CO., LTD.					
DSGD. 1-設計 Y. Saitoh 93-10-01			SCALE 2 : 1	G0445613M	
CHKD. Y. Satoh 93-10-01				TITLE 9形1軸単運絶縁軸VR	
APPD. S. Aizawa 93-10-01			UNIT III III	DOCUMENT NO. K091C0Z06	
SYMB	DATE	APPD	CHKD	DSGD	