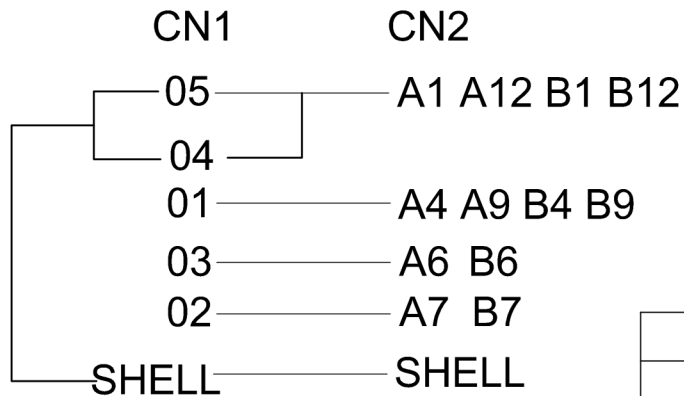


Soldered Drawing:



TOLERANCE	SIGNATURES	DATE
0 - 10 ±0.05	DRAFT: FengZhiLi	2020.9.7
10 - 99 ±0.5	CHECKED:	
100 - 999 ±10.0		
1000 - 9999 ±100.00		
10000 - 99999 ±1000.00		

REV	PART NO. & SAMPLE NO.	DATE	BY	APPROVAL:	TITLE
A					USB C Female to Micro Male Adaptor
B					CUSTOMER