

**RoHS
Compliant**



Features

- IP67 waterproof 50Ω front-lock bulkhead connector
- Low loss high quality 1.37mm microcoax cable
- Double screened 1.32mm microcoax cable option
- Original Hirose U.FL connector
- Soldered and crimped connectors
- Recommended Hirose U.FL antenna interface solution on Gemalto M2M (Cinterion) 3G modules

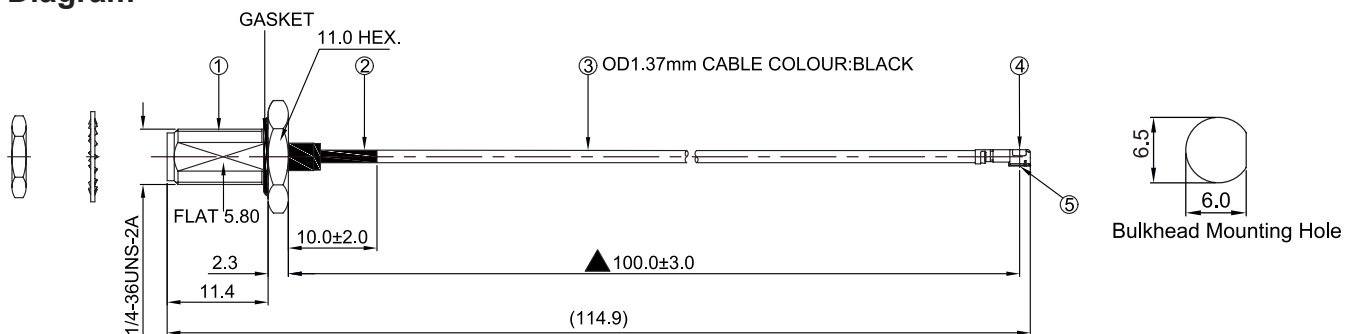
Mechanical Characteristics

Cable diameter (Max.) : 1.37mm (options of 1.32mm double screened cable)
 Cable bend radius (Min.) : 16mm (for 1.37mm)
 Temperature range : -40°C to +90°C
 Mating torque (Max.) : 0.245 N-m
 Cable lengths (standard) : 100mm

Electrical characteristic

Impedance : 50Ω
 Frequency Range : DC~3GHz
 Working Voltage : 60Vrms Max.
 Dielectric Withstanding Voltage : 200Vrms Min.
 Insulation resistance : 500MΩ (Min.)

Diagram



Dimensions : Millimetres

Item	Description
1	SMA B/H Jack Crimp Type for OD 1.37mm Cable (Nut × 1, Washer × 1)
2	Heat Shrink Tube F32 OD 2.5mm L = 10mm Colour : Black
3	OD 1.37mm Cable Tin Plated Colour: Black
4	U.FL-LP-088 Shell for OD 1.37mm Cable
5	U.FL-LP-088 Contact for OD 1.37mm Cable

Frequency	VSWR	Insertion Loss
DC~3GHz	1.4 : 1Max.	-0.7dB Max.

Part Number Table

Description	Part Number
RF / Coaxial Cable Assembly, U.FL Right Angle Plug, SMA Bulkhead Jack, 100mm, Black	R-132G7210100CC

Important Notice : This data sheet and its contents (the "Information") belong to the members of the AVNET group of companies (the "Group") or are licensed to it. No licence is granted for the use of it other than for information purposes in connection with the products to which it relates. No licence of any intellectual property rights is granted. The Information is subject to change without notice and replaces all data sheets previously supplied. The Information supplied is believed to be accurate but the Group assumes no responsibility for its accuracy or completeness, any error in or omission from it or for any use made of it. Users of this data sheet should check for themselves the Information and the suitability of the products for their purpose and not make any assumptions based on information included or omitted. Liability for loss or damage resulting from any reliance on the Information or use of it (including liability resulting from negligence or where the Group was aware of the possibility of such loss or damage arising) is excluded. This will not operate to limit or restrict the Group's liability for death or personal injury resulting from its negligence. Multicomp Pro is the registered trademark of Premier Farnell Limited 2019.