

# EAGLE-KIT-4-2TUR-8MP-1TB

4CH 2CAM 4K Turret



#### RECORDER FEATURES:

- H.265+/H.265 dual-stream video compression
- Supports HDCVI/AHD/TVI/CVBS/IP video inputs
- Max 6 channels IP camera inputs, each channel up to 8MP;  
Max 24 Mbps Incoming Bandwidth
- Supports SMD, human face detection, IVS
- All-channel support HDCVI PoC AT & AF camera



#### CAMERA FEATURES:

- Max. 30pfs@4K
- Built-in mic
- HD and SD output switchable
- 2.8mm fixed lens
- Max. IR length 30m, Smart IR
- IP67, POC/DC12V

# EAGLE-KIT-4-2TUR-8MP-1TB

## 4CH 2CAM 4K Turret



- Max. 4K resolution, real-time video transmission
- CVI/CVBS/AHD/TVI switchable
- 2.8mm fixed lens
- Max. IR length 30m, Smart IR
- IP67, 12V±30%DC



### System Overview

Experience 4K video surveillance with the simplicity of reusing existing coaxial infrastructure. The 4K HDCVI camera adopts a powerful ISP and advanced 1/2.7" CMOS sensor, which provides superior high quality images. In addition, the camera features broadcast quality audio to provide enhanced supplementary evidence collection. Ultra-high definition and a complete set of features makes the 4K HDCVI camera an ideal choice for mid to large-size businesses and projects where both highly reliable surveillance and construction flexibility are demanded.

### Functions

#### 4 Signals over 1 Coaxial Cable

HDCVI technology supports 4 signals to be transmitted over 1 coaxial cable simultaneously, i.e. video, audio\*, data and power. Dual-way data transmission allows the HDCVI camera to interact with the HCVR, such as sending control signal or triggering alarm. Moreover, HDCVI technology supports PoC for construction flexibility.

\* Audio input is available for some models of HDCVI cameras.

#### Long Distance Transmission

HDCVI technology guarantees real-time transmission at long distance without any loss. It supports up to 700m transmission for 4K and 4MP HD video via coaxial cable, and up to 300m via UTP cable. \*

#### Simplicity

HDCVI technology inherits the born feature of simplicity from traditional analog surveillance system, making itself a best choice for investment protection. HDCVI system can seamlessly upgrade the traditional analog system without replacing existing coaxial cabling. The plug and play approach enables full HD video surveillance without the hassle of configuring a network.

#### Multiple-formats

The camera supports multiple video formats including HDCVI, CVBS, and other two common HD analog formats in the market. This feature

makes the camera compatible with not only XVRs, but also most existing HD/ SD DVRs. \*

\*Use OSD menu to switch HDCVI to other video formats. Use PFM820 UTC Controller to switch CVBS to HDCVI video format.

#### Protection

The camera's outstanding reliability is unsurpassed due to its rugged design. The camera is protected against water and dust with IP67 ranking, making it suitable for indoor or outdoor environments. Supporting ±30% input voltage tolerance, this camera suits even the most unstable power supply conditions. Its 4KV lightning rating provides protection against the camera and its structure from the effects of lightning.

#### Smart IR

The camera is designed with microcrystalline LED IR illumination for best lowlight performance. Smart IR is a technology to ensure brightness uniformity in B/W image under low illumination. The unique Smart IR adjusts to the intensity of camera's infrared LEDs to compensate for the distance of an object, and prevents IR LEDs from overexposing images as the object come closer to the camera.

#### 4K Real-time Image Display

Used together with 4K Real-time XVR, the camera can output 4K real-time video stream with clear details and no lag or smear.

## Technical Specification

<b>Camera</b>	
Image Sensor	1/2.7 inch CMOS
Effective Pixels	3840 (H)× 2160 (V), 4K
Scanning System	Progressive
Electronic Shutter Speed	PAL: 1/25s–1/100000s NTSC: 1/30s–1/100000s
S/N Ratio	>65dB
Minimum Illumination	0.03Lux/F2.0, 30IRE, 0Lux IR on
Fill Light Working Distance	30 m (98.4 ft)
IR On/Off Control	Auto; manual
IR LED Number	12
Pan/Tilt/Rotation Range	Pan: 0°–360° Tilt: 0°–78° Rotation: 0°–360°

<b>Lens</b>	
Lens Type	Fixed-focal
Mount Type	M12
Focal Length	2.8 mm; 3.6 mm; 6 mm
Max. Aperture	F2.0
Angle of View	2.8 mm: 125° x 105° x 56° (diagonal x horizontal x vertical) 3.6 mm: 104° x 87° x 47° (diagonal x horizontal x vertical) 6 mm: 62.4° x 54.7° x 31.3° (diagonal x horizontal x vertical)
Iris Type	Fixed iris
Close Focus Distance	2.8 mm: 1.0 m (3.3 ft) 3.6 mm: 1.9 m (6.2 ft) 6 mm: 3.6 m (11.8 ft)

DORI Distance	Lens	Detect	Observe	Recognize	Identify
	2.8mm	74.7 m (245.1 ft)	29.9 m (98.1 ft)	14.9 m (48.9ft)	7.5 m (24.6 ft)
	3.6mm	106.7 m (350.1 ft)	42.7 m (140.1 ft)	21.3 m (69.9 ft)	10.7 m (35.1 ft)
	6mm	160m (524.9 ft)	64 m (210.0ft)	32 m (105.0ft)	16 m (52.5ft)

<b>Video</b>	
Frame Rate	CVI: 4K@25/30fps; 4K@15fps; 5M@20fps; 4M@25fps/30fps; AHD: 4K@15fps; TVI: 4K@15fps; CVBS: 960H
Resolution	4K (3840 × 2160); 5M (2592 × 1944); 4M (2560 × 1440); 960H (960 × 576/960 × 480)
Day/Night	Auto switch by ICR
BLC	BLC/HLC/WDR
WDR	DWDR
White Balance	Auto; manual
Gain Control	Auto; manual

Noise Reduction	2D NR
Smart IR	Yes
Mirror	Off/On
Privacy Masking	Off/On (8 area, rectangle)

<b>Certifications</b>	
Certifications	CE (EN55032, EN55024, EN50130-4, EN60950-1) FCC (CFR 47 FCC Part 15 subpartB, ANSI C63.4-2014) UL (UL60950-1+CAN/CSA C22.2 No.60950-1)

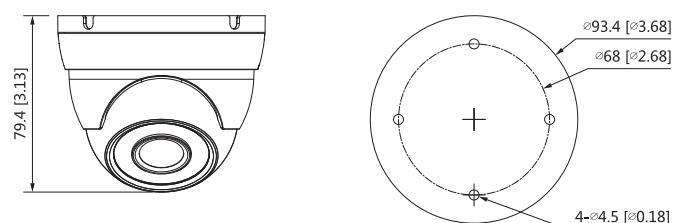
<b>Port</b>	
Video Output	Video output choices of CVI/TVI/AHD/CVBS by one BNC port

<b>Power</b>	
Power Supply	12V ±30% DC
Power Consumption	Max 4.3W (12V DC, IR on)

<b>Environment</b>	
Operating Temperature	-40°C to +60°C (-40°F to +140°F); <95% (non-condensation)
Storage Temperature	-40°C to +60°C (-40°F to +140°F); <95% (non-condensation)
Protection Grade	IP67

<b>Structure</b>	
Casing	Metal throughout the whole casing
Camera Dimensions	φ93.4mm×79.4mm ( φ3.68"×3.13" )
Net Weight	0.27 Kg (0.60lb)
Gross Weight	0.35 Kg (0.77lb)

## Dimensions (mm[inch])

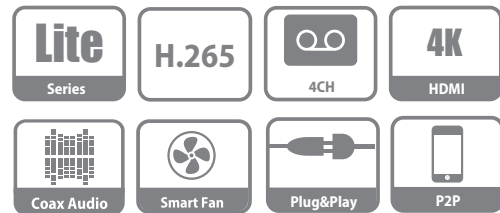


# EAGLE-KIT-4-2TUR-8MP-1TB

## 4CH 2CAM 4K Turret



- H.265+/H.265 dual-stream video compression
- Supports HDCVI/AHD/TVI/CVBS/IP video inputs
- Max 6 channels IP camera inputs, each channel up to 8MP; Max 24Mbps Incoming Bandwidth
- Smart Search and Intelligent Video System



### System Overview

With the surveillance operators pursuing to HD/UHD which further adds the storage and transmission cost, HDCVI H.265+/H.265 has been released to incredibly decrease the required bitrate while ensuring the video quality in realizing high resolution surveillance such as 4MP/4K.

The Lite Series is designed for high cost performance and quality. The range offers a great solution for users facing budget constraints who both require quality and performance. And with the adoption of Smart H.265+/H.265, the series improves encoding efficiency, saving on bandwidth/storage costs, and significantly reducing the Total Cost of Ownership (TCO).

### Functions

#### Smart H.265+

Smart Codec, H.265+ can reduce up to 90% bit rate and storage requirements compared with H.264 without having to invest in new cameras.

#### HDCVI/AHD/TVI/CVBS Auto-detect

The XVR can auto recognize the signal of front-camera without any setting. It makes operation more friendly and convenient.

#### 8MP Resolution

The XVR supports up to 8MP HD resolution (3840 x 2160) HDCVI camera and IP camera input.

#### Coaxial Audio/Upgrade/Alarm

The integrated design can reduce wiring troubles which makes it much more cost-effective and convenient for installation.

#### Long Distance Transmission

The HDCVI system supports long distance transmission over coaxial cable and UTP, max. 700m for 4K/4MP, 800m for 1080P and 1200m for 720P.

#### Smart Fan Design

The smart fan can automatically turn on or turn off according to the CPU temperature. This function can effectively reduce the fan noise to provide a better user experience.

#### Intelligent Video System (IVS)

With built-in intelligent video analytics, the XVR has the ability to detect and analyze moving objects for improved video surveillance. The XVR provides optional standard intelligence at the edge allowing detection of multiple object behaviors such as abandoned or missing objects. IVS also supports Tripwire analytics, allowing the camera to detect when a pre-determined line has been crossed.

#### Face Detection

It is a typical technology being used in a variety of applications for searching or identification of individuals.

#### Smart Search

This function helps you get more motion detect video during a short time through drawing a region when playback. It is very useful when an emergency occurs.

## Technical Specification

System	
Main Processor	Embedded Processor
Operating System	Embedded LINUX

## Video and Audio

Analog Camera Input	4 Channel, BNC
HDCVI Camera	4K, 6MP, 5MP, 4MP, 1080P@25/30fps, 720P@50/60fps, 720P@25/30fps
AHD Camera	5MP, 4MP, 3MP, 1080P@25/30, 720P@25/30fps
TVI Camera	5MP, 4MP, 3MP, 1080P@25/30, 720P@25/30fps
CVBS Camera	PAL/NTSC
IP Camera Input	4+2 Channel, each channel up to 8MP
Audio In/Out	1/1, RCA
Two-way Talk	Reuse audio in/out, RCA

## Recording

Compression	H.265+/H.265/H.264+/H.264
Resolution	4K, 6MP, 5MP, 4K-N, 4MP, 3MP, 4M-N, 1080P, 720P, 960H, D1, CIF
Record Rate	Main stream: the 1st channel 4K(1~7fps), 6MP(1~10fps), 5MP(1~12fps), 4MP/3MP(1~15fps), others 4K-N(1~7fps), 4MP/3MP(1~15fps); 4M-N/1080P/720P/960H/D1/CIF (1~25/30fps) Sub stream:960H(1~15fps); D1/CIF(1~25/30fps)
Bit Rate	32Kbps ~ 6144Kbps Per Channel
Record Mode	Manual, Schedule (General, Continuous), MD (Video detection: Motion Detection, Video Loss, Tampering), Alarm, Stop
Record Interval	1 ~ 60 min (default: 60 min), Pre-record: 1 ~ 30 sec, Post-record: 10 ~ 300 sec
Audio Compression	AAC(only for the 1st channel), G.711A, G.711U, PCM
Audio Sample Rate	8KHz, 16 bit Per Channel
Audio Bit Rate	64Kbps Per Channel

## Display

Interface	1 HDMI, 1 VGA
Resolution	HDMI:3840x2160, 2560x1440, 1920x1080, 1280x1024, 1280x720 VGA: 1920x1080, 1280x1024, 1280x720
Multi-screen Display	When IP extension mode not enabled: 1/4 When IP extension mode enabled: 1/4/6
OSD	Camera title, Time, Video loss, Camera lock, Motion detection, Recording

## Network

Interface	1 RJ-45 Port (100M)
Network Function	HTTP, HTTPS, TCP/IP, IPv4/IPv6, Wi-Fi, 3G/4G, UPnP, RTSP, UDP, SMTP, NTP, DHCP, DNS, IP Filter, PPPoE, DDNS, FTP, Alarm Server, P2P, IP Search (Supports Dahua IP camera, DVR, NVS, etc.)
Max. User Access	128 users
Smart Phone	iPhone, iPad, Android
Interoperability	ONVIF 16.12, CGI Conformant

## Video Detection and Alarm

Trigger Events	Recording, PTZ, Tour, Video Push, Email, FTP, Snapshot, Buzzer and Screen Tips
Video Detection	Motion Detection, MD Zones: 396 (22 x 18), Video Loss, Tampering and Diagnosis
Alarm input	N/A
Relay Output	N/A

## Playback and Backup

Playback	1/4
Search Mode	Time /Date, Alarm, MD and Exact Search (accurate to second)
Playback Function	Play, Pause, Stop, Rewind, Fast play, Slow Play, Next File, Previous File, Next Camera, Previous Camera, Full Screen, Repeat, Shuffle, Backup Selection, Digital Zoom
Backup Mode	USB Device/Network

## Storage

Internal HDD	1 SATA Port, up to 10TB capacity
eSATA	N/A

## Auxiliary Interface

USB	2 USB Ports (2 USB 2.0)
RS232	N/A
RS485	1 Port, for PTZ Control

## Electrical

Power Supply	DC12V/2A
Power Consumption (without HDD)	<10W

## Construction

Dimensions	Compact 1U, 260x236x48mm(10.2"x9.3"x1.9")
Device with PFH101 Rack Mount Tray	483mmx281mmx56mm (19.0"x11.1"x2.2")
Net Weight (without HDD)	0.9kg ( 2.0lb)
Gross Weight	1.6kg (3.5 lb)
Installation	Desktop installation

## Environmental

Operating Conditions	-10°C ~ +55°C (+14°F ~ +131°F), 10% ~ 90% RH
Storage Conditions	-20°C ~ +70°C (-4°F ~ +158°F), 0 ~ 90% RH

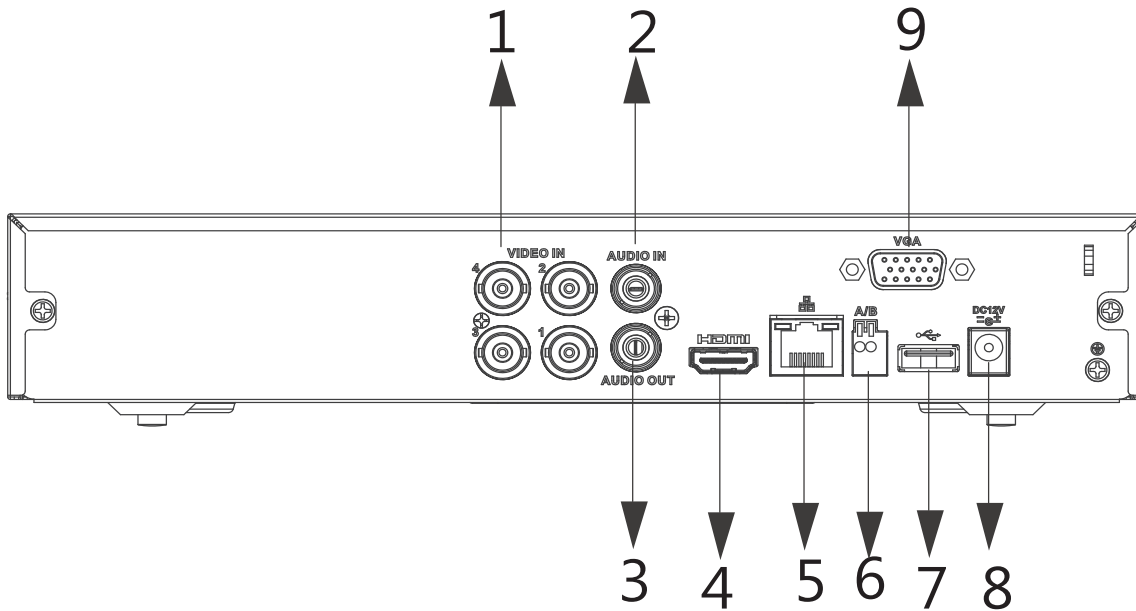
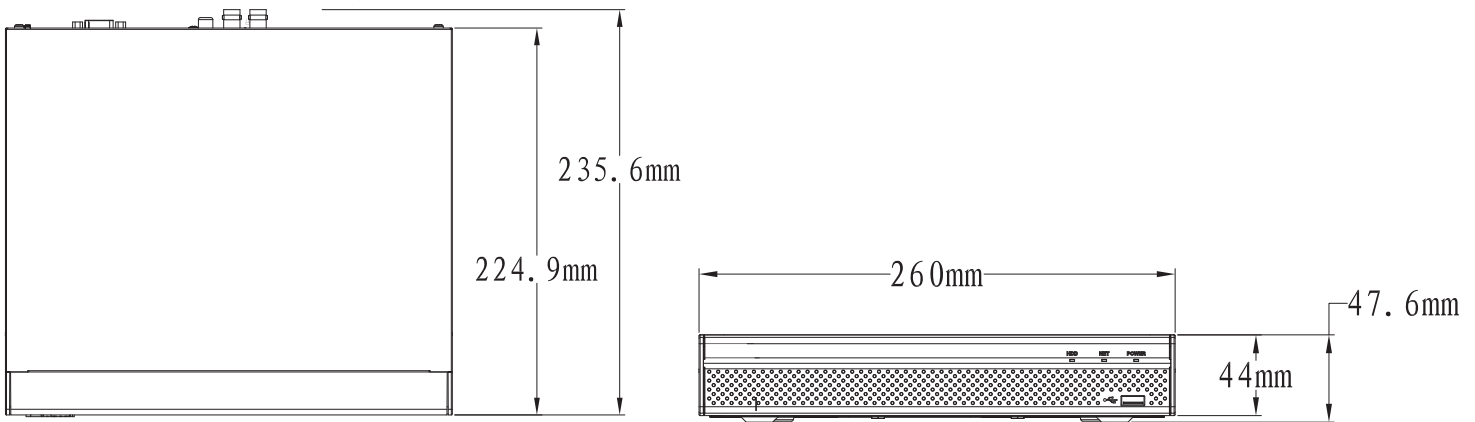
## Third-party Support

Third-party Support	Dahua, Arecont Vision, AXIS, Bosch, Brickcom, Canon, CP Plus, Dynacolor, Honeywell, Panasonic, Pelco, Samsung, Sanyo, Sony, Videotec, Vivotek, and more
---------------------	---

## Certifications

Certifications	FCC: Part 15 Subpart B
	CE: CE-LVD: EN 60950-1/IEC 60950-1 CE-EMC: EN 61000-3-2, EN 61000-3-3, EN 55032, EN 50130, EN 55024
	UL: UL 60950-1

Dimensions (mm)



Rear Panel

- |   |                          |   |                    |
|---|--------------------------|---|--------------------|
| 1 | VIDEO IN                 | 6 | RS485 Interface    |
| 2 | AUDIO IN, RCA Connector  | 7 | USB Interface      |
| 3 | AUDIO OUT, RCA Connector | 8 | DC 12V Power Input |
| 4 | HDMI Interface           | 9 | VGA Interface      |
| 5 | Network Interface        |   |                    |