

EAGLE-KIT-8-4TUR-8MP-1TB

8CH 4CAM 4K Turret



RECORDER FEATURES:

- H.265+/H.265 dual-stream video compression
- Supports HDCVI/AHD/TVI/CVBS/IP video inputs
- Max 12 channels IP camera inputs, each channel up to 8MP; Max 48 Mbps Incoming Bandwidth
- Supports SMD, human face detection, IVS
- All-channel support HDCVI PoC AT & AF camera



CAMERA FEATURES:

- Max. 30pfs@4K
- Built-in mic
- HD and SD output switchable
- 2.8mm fixed lens
- Max. IR length 30m, Smart IR
- IP67, POC/DC12V

EAGLE-KIT-8-4TUR-8MP-1TB

8CH 4CAM 4K Turret



- Max. 4K resolution, real-time video transmission
- CVI/CVBS/AHD/TVI switchable
- 2.8mm fixed lens
- Max. IR length 30m, Smart IR
- IP67, 12V±30%DC



System Overview

Experience 4K video surveillance with the simplicity of reusing existing coaxial infrastructure. The 4K HDCVI camera adopts a powerful ISP and advanced 1/2.7" CMOS sensor, which provides superior high quality images. In addition, the camera features broadcast quality audio to provide enhanced supplementary evidence collection. Ultra-high definition and a complete set of features makes the 4K HDCVI camera an ideal choice for mid to large-size businesses and projects where both highly reliable surveillance and construction flexibility are demanded.

Functions

4 Signals over 1 Coaxial Cable

HDCVI technology supports 4 signals to be transmitted over 1 coaxial cable simultaneously, i.e. video, audio*, data and power. Dual-way data transmission allows the HDCVI camera to interact with the HCVR, such as sending control signal or triggering alarm. Moreover, HDCVI technology supports PoC for construction flexibility.

* Audio input is available for some models of HDCVI cameras.

Long Distance Transmission

HDCVI technology guarantees real-time transmission at long distance without any loss. It supports up to 700m transmission for 4K and 4MP HD video via coaxial cable, and up to 300m via UTP cable. *

Simplicity

HDCVI technology inherits the born feature of simplicity from traditional analog surveillance system, making itself a best choice for investment protection. HDCVI system can seamlessly upgrade the traditional analog system without replacing existing coaxial cabling. The plug and play approach enables full HD video surveillance without the hassle of configuring a network.

Multiple-formats

The camera supports multiple video formats including HDCVI, CVBS, and other two common HD analog formats in the market. This feature

makes the camera compatible with not only XVRs, but also most existing HD/ SD DVRs. *

*Use OSD menu to switch HDCVI to other video formats. Use PFM820 UTC Controller to switch CVBS to HDCVI video format.

Protection

The camera's outstanding reliability is unsurpassed due to its rugged design. The camera is protected against water and dust with IP67 ranking, making it suitable for indoor or outdoor environments. Supporting ±30% input voltage tolerance, this camera suits even the most unstable power supply conditions. Its 4KV lightning rating provides protection against the camera and its structure from the effects of lightning.

Smart IR

The camera is designed with microcrystalline LED IR illumination for best lowlight performance. Smart IR is a technology to ensure brightness uniformity in B/W image under low illumination. The unique Smart IR adjusts to the intensity of camera's infrared LEDs to compensate for the distance of an object, and prevents IR LEDs from overexposing images as the object come closer to the camera.

4K Real-time Image Display

Used together with 4K Real-time XVR, the camera can output 4K real-time video stream with clear details and no lag or smear.

Technical Specification

Camera

| | |
|-----------------------------|---|
| Image Sensor | 1/2.7 inch CMOS |
| Effective Pixels | 3840 (H) × 2160 (V), 4K |
| Scanning System | Progressive |
| Electronic Shutter Speed | PAL: 1/25s–1/100000s NTSC: 1/30s–1/100000s |
| S/N Ratio | >65dB |
| Minimum Illumination | 0.03Lux/F2.0, 30IRE, 0Lux IR on |
| Fill Light Working Distance | 30 m (98.4 ft) |
| IR On/Off Control | Auto; manual |
| IR LED Number | 12 |
| Pan/Tilt/Rotation Range | Pan: 0°–360° Tilt: 0°–78° Rotation: 0°–360° |

Lens

| | |
|----------------------|---|
| Lens Type | Fixed-focal |
| Mount Type | M12 |
| Focal Length | 2.8 mm |
| Max. Aperture | F2.0 |
| Angle of View | 2.8 mm: 125° x 105° x 56° (diagonal x horizontal x vertical) 3.6 mm: 104° x 87° x 47° (diagonal x horizontal x vertical) 6 mm: 62.4° x 54.7° x 31.3° (diagonal x horizontal x vertical) |
| Iris Type | Fixed iris |
| Close Focus Distance | 2.8 mm: 1.0 m (3.3 ft) 3.6 mm: 1.9 m (6.2 ft) 6 mm: 3.6 m (11.8 ft) |

| DORI Distance | Lens | Detect | | | |
|---------------|-------|--------------------|-------------------|------------------|------------------|
| | | Observe | Recognize | Identify | |
| DORI Distance | 2.8mm | 74.7 m (245.1 ft) | 29.9 m (98.1 ft) | 14.9 m (48.9ft) | 7.5 m (24.6 ft) |
| | 3.6mm | 106.7 m (350.1 ft) | 42.7 m (140.1 ft) | 21.3 m (69.9 ft) | 10.7 m (35.1 ft) |
| | 6mm | 160m (524.9 ft) | 64 m (210.0ft) | 32 m (105.0ft) | 16 m (52.5ft) |

Video

| | |
|---------------|--|
| Frame Rate | CVI: 4K@25/30fps; 4K@15fps; 5M@20fps; 4M@25fps/30fps; AHD: 4K@15fps; TVI: 4K@15fps; CVBS: 960H |
| Resolution | 4K (3840 × 2160); 5M (2592 × 1944); 4M (2560 × 1440); 960H (960 × 576/960 × 480) |
| Day/Night | Auto switch by ICR |
| BLC | BLC/HLC/WDR |
| WDR | DWDR |
| White Balance | Auto; manual |
| Gain Control | Auto; manual |

| | |
|-----------------|----------------------------|
| Noise Reduction | 2D NR |
| Smart IR | Yes |
| Mirror | Off/On |
| Privacy Masking | Off/On (8 area, rectangle) |

Certifications

| | |
|----------------|--|
| Certifications | CE (EN55032, EN55024, EN50130-4, EN60950-1) FCC (CFR 47 FCC Part 15 subpartB, ANSI C63.4-2014) UL (UL60950-1+CAN/CSA C22.2 No.60950-1) |
|----------------|--|

Port

| | |
|--------------|--|
| Video Output | Video output choices of CVI/TVI/AHD/CVBS by one BNC port |
|--------------|--|

Power

| | |
|-------------------|--------------------------|
| Power Supply | 12V ±30% DC |
| Power Consumption | Max 4.3W (12V DC, IR on) |

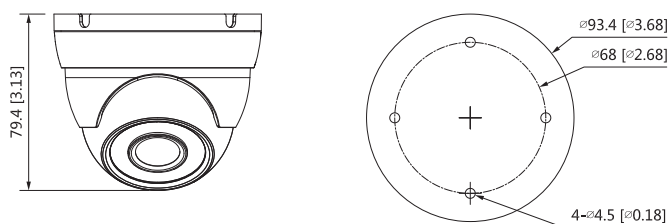
Environment

| | |
|-----------------------|---|
| Operating Temperature | -40°C to +60°C (-40°F to +140°F); <95% (non-condensation) |
| Storage Temperature | -40°C to +60°C (-40°F to +140°F); <95% (non-condensation) |
| Protection Grade | IP67 |

Structure

| | |
|-------------------|-----------------------------------|
| Casing | Metal throughout the whole casing |
| Camera Dimensions | φ93.4mm×79.4mm (φ3.68"×3.13") |
| Net Weight | 0.27 Kg (0.60lb) |
| Gross Weight | 0.35 Kg (0.77lb) |

Dimensions (mm[inch])

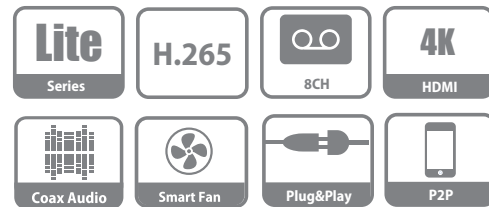


EAGLE-KIT-8-4TUR-8MP-1TB

8CH 4CAM 4K Turret



- H.265+/H.265 dual-stream video compression
- Supports HDCVI/AHD/TVI/CVBS/IP video inputs
- Max 12 channels IP camera inputs, each channel up to 8MP; Max 48Mbps Incoming Bandwidth
- Smart Search and Intelligent Video System



System Overview

With the surveillance operators pursuing to HD/UHD which further adds the storage and transmission cost, HDCVI H.265+/H.265 has been released to incredibly decrease the required bitrate while ensuring the video quality in realizing high resolution surveillance such as 4MP/4K.

The Lite Series is designed for high cost performance and quality. The range offers a great solution for users facing budget constraints who both require quality and performance. And with the adoption of Smart H.265+/H.265, the series improves encoding efficiency, saving on bandwidth/storage costs, and significantly reducing the Total Cost of Ownership (TCO).

Functions

Smart H.265+

Smart Codec, H.265+ can reduce up to 90% bit rate and storage requirements compared with H.264 without having to invest in new cameras.

HDCVI/AHD/TVI/CVBS Auto-detect

The XVR can auto recognize the signal of front-camera without any setting. It makes operation more friendly and convenient.

8MP Resolution

The XVR supports up to 8MP HD resolution (3840 x 2160) HDCVI camera and IP camera input.

Coaxial Audio/Upgrade/Alarm

The integrated design can reduce wiring troubles which makes it much more cost-effective and convenient for installation.

Long Distance Transmission

The HDCVI system supports long distance transmission over coaxial cable and UTP, max. 700m for 4K/4MP, 800m for 1080P and 1200m for 720P.

Smart Fan Design

The smart fan can automatically turn on or turn off according to the CPU temperature. This function can effectively reduce the fan noise to provide a better user experience.

Intelligent Video System (IVS)

With built-in intelligent video analytics, the XVR has the ability to detect and analyze moving objects for improved video surveillance. The XVR provides optional standard intelligence at the edge allowing detection of multiple object behaviors such as abandoned or missing objects. IVS also supports Tripwire analytics, allowing the camera to detect when a pre-determined line has been crossed.

Face Detection

It is a typical technology being used in a variety of applications for searching or identification of individuals.

Smart Search

This function helps you get more motion detect video during a short time through drawing a region when playback. It is very useful when an emergency occurs.

Technical Specification

System

| | |
|------------------|--------------------|
| Main Processor | Embedded Processor |
| Operating System | Embedded LINUX |

Video and Audio

| | |
|---------------------|---|
| Analog Camera Input | 8 Channel, BNC |
| HDCVI Camera | 4K, 6MP, 5MP, 4MP, 1080P@25/30fps, 720P@50/60fps, 720P@25/30fps |
| AHD Camera | 5MP, 4MP, 3MP, 1080P@25/30, 720P@25/30fps |
| TVI Camera | 5MP, 4MP, 3MP, 1080P@25/30, 720P@25/30fps |
| CVBS Camera | PAL/NTSC |
| IP Camera Input | 8+4 Channel, each channel up to 8MP |
| Audio In/Out | 1/1, RCA |
| Two-way Talk | Reuse audio in/out, RCA |

Recording

| | |
|-------------------|---|
| Compression | H.265+/H.265/H.264+/H.264 |
| Resolution | 4K, 6MP, 5MP, 4MP, 3MP, 4M-N, 1080P, 720P, 960H, D1, CIF |
| Record Rate | Main stream: 4K(1~7fps); 6MP(1~10fps); 5MP(1~12fps); 4MP/3MP(1~15fps); 4M-N/1080P/720P/960H/D1/CIF(1~25/30fps) Sub stream: 960H(1~15fps); D1/CIF(1~25/30fps) |
| Bit Rate | 32Kbps ~ 6144Kbps Per Channel |
| Record Mode | Manual, Schedule (General, Continuous), MD (Video detection: Motion Detection, Video Loss, Tampering), Alarm, Stop |
| Record Interval | 1 ~ 60 min (default: 60 min), Pre-record: 1 ~ 30 sec, Post-record: 10 ~ 300 sec |
| Audio Compression | AAC(only for the 1st channel), G.711A, G.711U, PCM |
| Audio Sample Rate | 8KHz, 16 bit Per Channel |
| Audio Bit Rate | 64Kbps Per Channel |

Display

| | |
|----------------------|---|
| Interface | 1 HDMI, 1 VGA |
| Resolution | HDMI: 3840x2160, 2560x1440, 1920x1080, 1280x1024, 1280x720 VGA: 1920x1080, 1280x1024, 1280x720 |
| Multi-screen Display | When IP extension mode not enabled: 1/4/8/9 When IP extension mode enabled: 1/4/8/9/16 |
| OSD | Camera title, Time, Video loss, Camera lock, Motion detection, Recording |

Network

| | |
|------------------|---|
| Interface | 1 RJ-45 Port (1000M) |
| Network Function | HTTP, HTTPS, TCP/IP, IPv4/IPv6, Wi-Fi, 3G/4G, UPnP, RTSP, UDP, SMTP, NTP, DHCP, DNS, IP Filter, PPPoE, DDNS, FTP, Alarm Server, P2P, IP Search (Supports Dahua IP camera, DVR, NVS, etc.) |
| Max. User Access | 128 users |
| Smart Phone | iPhone, iPad, Android |
| Interoperability | ONVIF 16.12, CGI Conformant |

Video Detection and Alarm

| | |
|-----------------|--|
| Trigger Events | Recording, PTZ, Tour, Video Push, Email, FTP, Snapshot, Buzzer and Screen Tips |
| Video Detection | Motion Detection, MD Zones: 396 (22 x 18), Video Loss, Tampering and Diagnosis |
| Alarm input | N/A |
| Relay Output | N/A |

Playback and Backup

| | |
|-------------------|---|
| Playback | 1/4/9 |
| Search Mode | Time /Date, Alarm, MD and Exact Search (accurate to second) |
| Playback Function | Play, Pause, Stop, Rewind, Fast play, Slow Play, Next File, Previous File, Next Camera, Previous Camera, Full Screen, Repeat, Shuffle, Backup Selection, Digital Zoom |
| Backup Mode | USB Device/Network |

Storage

| | |
|--------------|----------------------------------|
| Internal HDD | 1 SATA Port, up to 10TB capacity |
| eSATA | N/A |

Auxiliary Interface

| | |
|-------|------------------------------------|
| USB | 2 USB Ports (1 USB 2.0, 1 USB 3.0) |
| RS232 | N/A |
| RS485 | 1 Port, for PTZ Control |

Electrical

| | |
|---------------------------------|----------|
| Power Supply | DC12V/2A |
| Power Consumption (without HDD) | <10W |

Construction

| | |
|------------------------------------|---|
| Dimensions | Compact 1U, 260x236x48mm(10.2"x9.3"x1.9") |
| Device with PFH101 Rack Mount Tray | 483mmx281mmx56mm (19.0"x11.1"x2.2") |
| Net Weight (without HDD) | 0.9kg (2.0 lb) |
| Gross Weight | 1.6kg (3.5 lb) |
| Installation | Desktop installation |

Environmental

| | |
|----------------------|--|
| Operating Conditions | -10°C ~ +55°C (+14°F ~ +131°F), 10% ~ 90% RH |
| Storage Conditions | -20°C ~ +70°C (-4°F ~ +158°F), 0 ~ 90% RH |

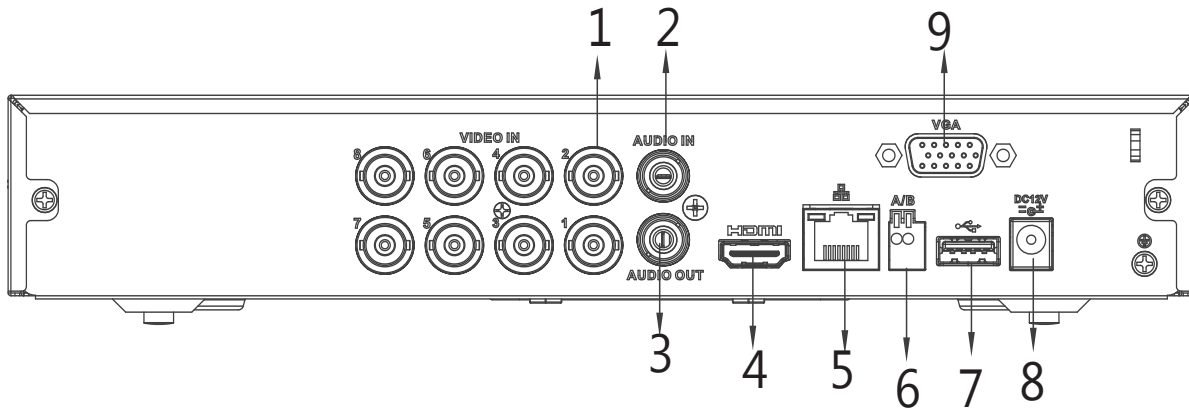
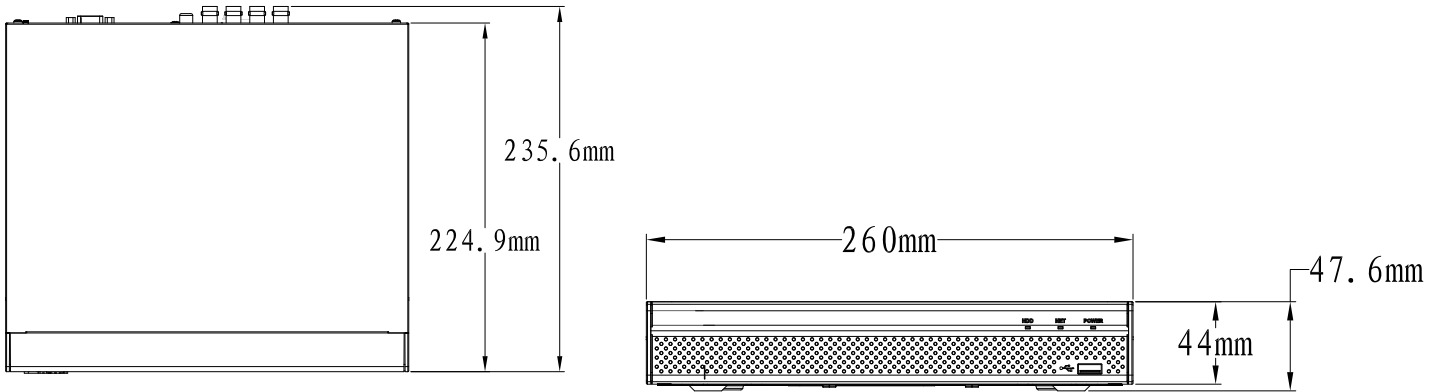
Third-party Support

| | |
|---------------------|---|
| Third-party Support | Dahua, Arecont Vision, AXIS, Bosch, Brickcom, Canon, CP Plus, Dynacolor, Honeywell, Panasonic, Pelco, Samsung, Sanyo, Sony, Videotec, Vivotek, and more |
|---------------------|---|

Certifications

| | |
|----------------|--|
| Certifications | FCC: Part 15 Subpart B |
| | CE: CE-LVD: EN 60950-1/IEC 60950-1 CE-EMC: EN 61000-3-2, EN 61000-3-3, EN 55032, EN 50130, EN 55024 |
| | UL: UL 60950-1 |

Dimensions (mm)



Rear Panel

- | | | | |
|---|--------------------------|---|--------------------|
| 1 | VIDEO IN | 6 | RS485 Interface |
| 2 | AUDIO IN, RCA Connector | 7 | USB Interface |
| 3 | AUDIO OUT, RCA Connector | 8 | DC 12V Power Input |
| 4 | HDMI Interface | 9 | VGA Interface |
| 5 | Network Interface | | |