



# Product Change Notification

Current Date: 16-Nov-2020

## TE Connectivity

**Product Change Notification:** P-20-020033

**PCN Date:** 16-NOV-20

**Customer:** TTI, Inc. ( 1305175 )

**Location:** Maisach-gernlinden

**Agreement:** Agreement Unknown

TE would like to inform you of the following change(s) to the listed TE Connectivity Product. In case of any further questions about this change(s), please contact your TE Connectivity Sales Engineer. Affected part, drawing and/or specification numbers are listed on the attached sheet(s).

**General Product Description:**  
The UL Approvals change for 2213800 series of Coolsplice

**Description of Changes**  
The UL Approvals for the 2213800 series of Coolsplice products will be changing from UL listing per UL2459 to UL Recognition per UL1977. This represents a change in form (Product Markings) and function (change from UL Listed Component to UL Recognized Component). Please review the impact of this change for your application.

**Marking Change**

**Other attachments:**  
[Customer drawing](#)

**Reason for Changes:**  
New specification."As in form fit change, only marking on the product will be changed accordingly: NEW PRINTING LOGO'S: cURus Logo, KEMA, PARTNUMBER, TE, DATE CODE, WIRE SIZE, IP CLASS."

**Estimated Dates:**

<b>Last Order Date</b> (Obsolete Parts Only):	<b>First Date To Ship</b> (Changed Parts Only):
	01-JAN-2021
<b>Last Ship Date</b> (Obsolete Parts Only):	<b>Last Date for Mixed Shipments:</b> (Changed Parts Only):
	30-JUN-2021

**Part Number(s) being Modified:**

Part Number	Part Discontinued per PCN	Customer Drawing	Customer Part Number	Alias Part Number(s)	Substitute Part Number	Substitute Alias Part Number(s)	Description Of Difference
<a href="#">2213800-1</a>	NO						
<a href="#">2213800-2</a>	NO						
<a href="#">2213800-3</a>	NO						
<a href="#">2213800-4</a>	NO						



# Product Change Notification

Current Date: 16-Nov-2020

## TE Connectivity

**Product Change Notification:** P-20-020033

**PCN Date:** 16-NOV-20

**Customer:** TTI, Inc. ( 3057778 )

**Location:** Maisach-gernlinden

**Agreement:** Agreement Unknown

TE would like to inform you of the following change(s) to the listed TE Connectivity Product. In case of any further questions about this change(s), please contact your TE Connectivity Sales Engineer. Affected part, drawing and/or specification numbers are listed on the attached sheet(s).

**General Product Description:**  
The UL Approvals change for 2213800 series of Coolsplice

**Description of Changes**  
The UL Approvals for the 2213800 series of Coolsplice products will be changing from UL listing per UL2459 to UL Recognition per UL1977. This represents a change in form (Product Markings) and function (change from UL Listed Component to UL Recognized Component). Please review the impact of this change for your application.

**Marking Change**

**Other attachments:**  
[Customer drawing](#)

**Reason for Changes:**  
New specification."As in form fit change, only marking on the product will be changed accordingly: NEW PRINTING LOGO'S: cURus Logo, KEMA, PARTNUMBER, TE, DATE CODE, WIRE SIZE, IP CLASS."

**Estimated Dates:**

<b>Last Order Date</b> (Obsolete Parts Only):	<b>First Date To Ship</b> (Changed Parts Only):
	01-JAN-2021
<b>Last Ship Date</b> (Obsolete Parts Only):	<b>Last Date for Mixed Shipments:</b> (Changed Parts Only):
	30-JUN-2021

**Part Number(s) being Modified:**

Part Number	Part Discontinued per PCN	Customer Drawing	Customer Part Number	Alias Part Number(s)	Substitute Part Number	Substitute Alias Part Number(s)	Description Of Difference
<a href="#">2213800-1</a>	NO						
<a href="#">2213800-2</a>	NO		TYC2213800-2				
<a href="#">2213800-3</a>	NO						
<a href="#">2213800-4</a>	NO		TYC2213800-4				

USED ON -

**NOTES:**

1 LASER PRINTING ACCORDING LASER FILE NR....

PRINTING LOGO'S: cURus Logo, KEMA, PARTNUMBER, TE, DATE CODE, WIRE SIZE, IP CLASS.

2 LASER MARKING: IP20

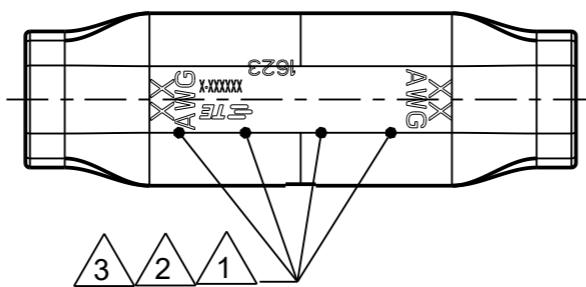
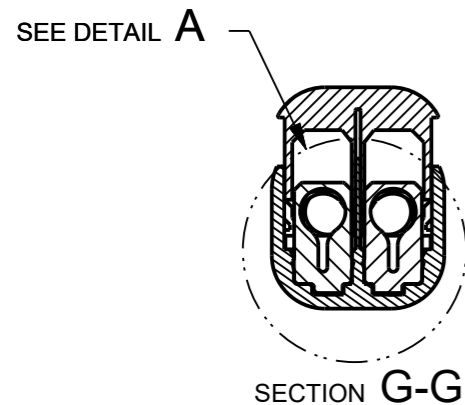
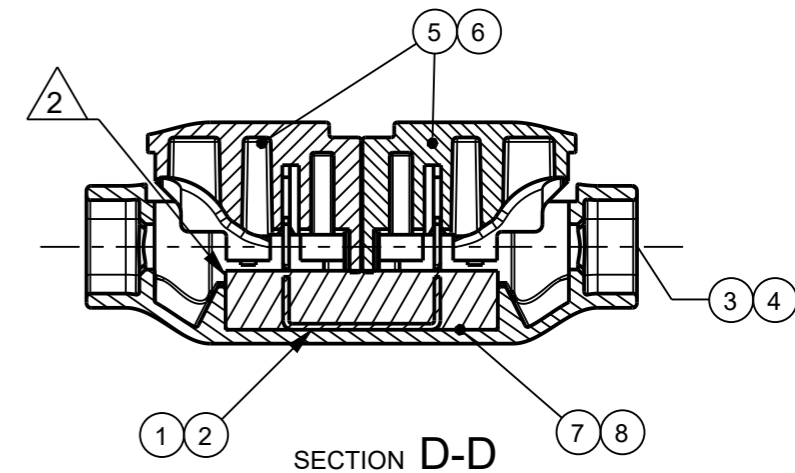
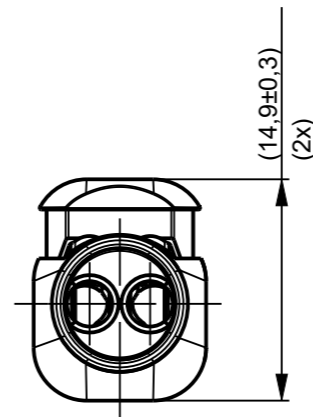
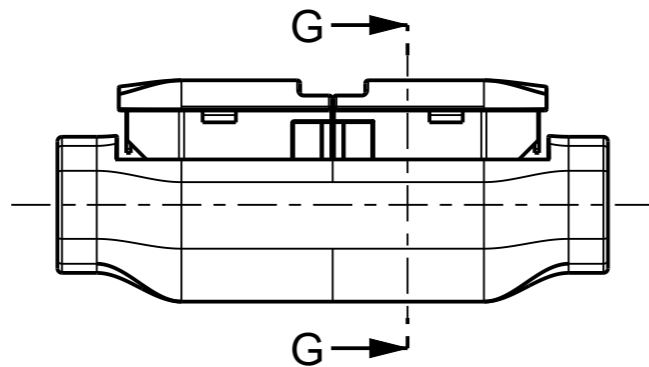
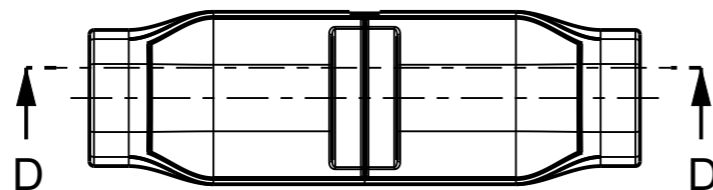
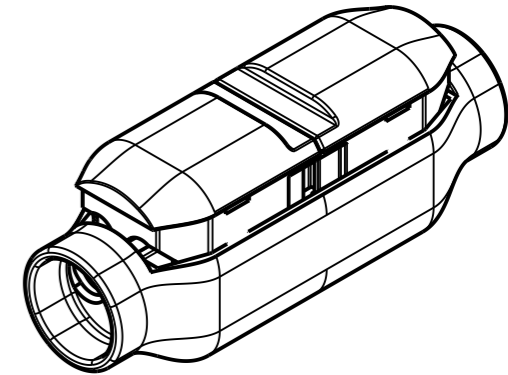
3 LASER MARKING: IP x5/x7

4 GEL FILLING LEVEL TILL THE EDGE OF THE STRAIN RELIEF WALLS. OVERFILLING RESULTING IN A SLIGH LEAKAGE OVER THE EDGES OF THE STRAIN RELIEF WALLS IS ALLOWED IF THE GEL REMAINS INSIDE.

CURING OF GEL : 16 HOURS ON AMBIENT (25°C) OR 1.5 HOURS AMBIENT + 2 HOURS ON 45°C. OTHER CURING IS ALLOWED, BUT FINAL GEL HARDNESS HAS TO REMAIN EQUAL.

5 SEALING GEL MATERIAL: POWERGEL-A-MIX POWERGEL-H18000-A (PN EL9286-000) (PART A). POWERGEL-B-MIX POWERGEL-H18000-B (PN EL9287-000) (PART B).

ALTERNATE MATERIAL: RAYCHEM PN 3-1201922-1 (PART A), RAYCHEM PN 3-1201922-8 (PART B),



ITEM	PARTNUMBER	DESCRIPTION	QTY	QTY	QTY	QTY
8	-	SEALING GEL COMP. B +/-0,03ml	-	0.27ml	-	0.30ml
7	-	SEALING GEL COMP. A +/-0,03ml	-	0.27ml	-	0.30ml
6	2213798-2	BUTTON (BLUE)	-	2	-	2
5	2213798-1	BUTTON (GREEN)	2	-	2	-
4	2213797-2	HOUSING WITH KEYING FOR 20/22 AWG CONTACT	-	-	1	1
3	2213797-1	HOUSING WITH KEYING FOR 18 AWG CONTACT	1	1	-	-
2	2213799-2	IDC CONTACT AWG 20/22	-	-	2	2
1	2213799-1	IDC CONTACT AWG 18	2	2	-	-
PARTNUMBER:			2213800-1	2213800-2	2213800-3	2213800-4
VERSION:			UNSEALED	SEALED	UNSEALED	SEALED
CABLE AWG SIZE:			18 / 1MM2		20 / 22	

LOC	C	U/D Logo UL Listed to cURus	12NOV2020	VR	VY
H	B1	ECR-17-015691	25OCT2017	RK	PO
DIST	B	ECR-17-008373	16OCT2017	RK	PO
-	P	LTR	REVISION RECORD	DATE	DWN APVD

DIMENSIONS: mm		TOLERANCES UNLESS OTHERWISE SPECIFIED:	
	0 PLC ±0,2	1 PLC ±0,1	2 PLC ±0,05
	3 PLC ±0,025	4 PLC ±0,005	
ANGLE: 2°	SURFACE TEXTURE:		

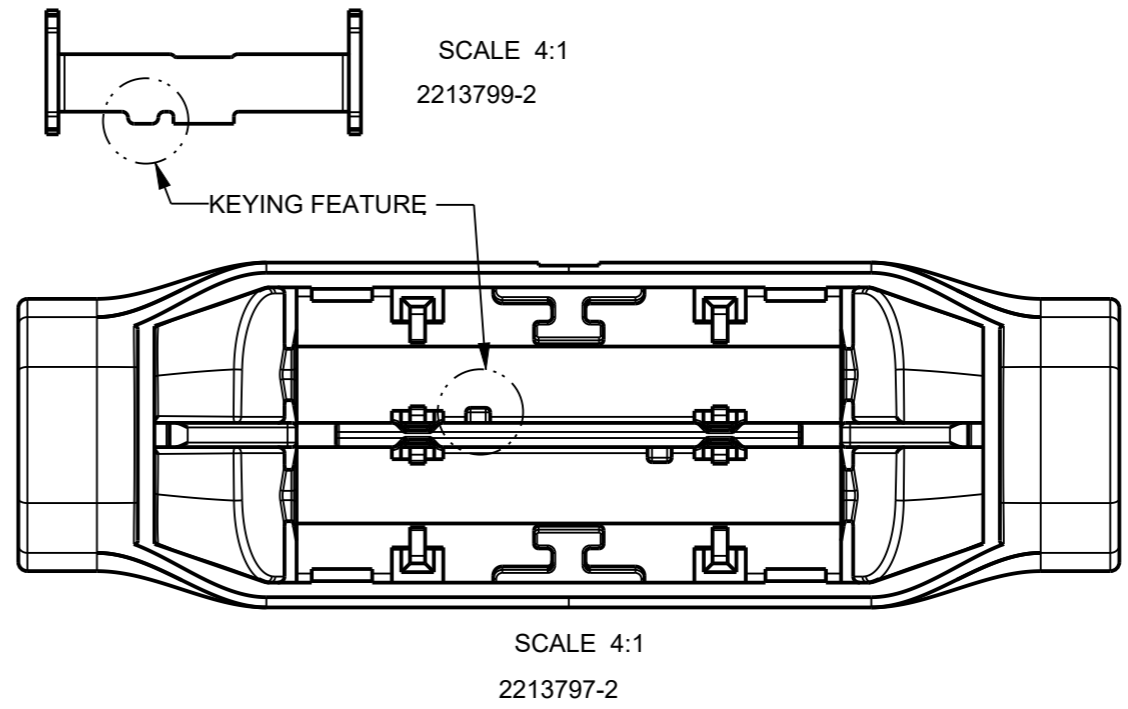
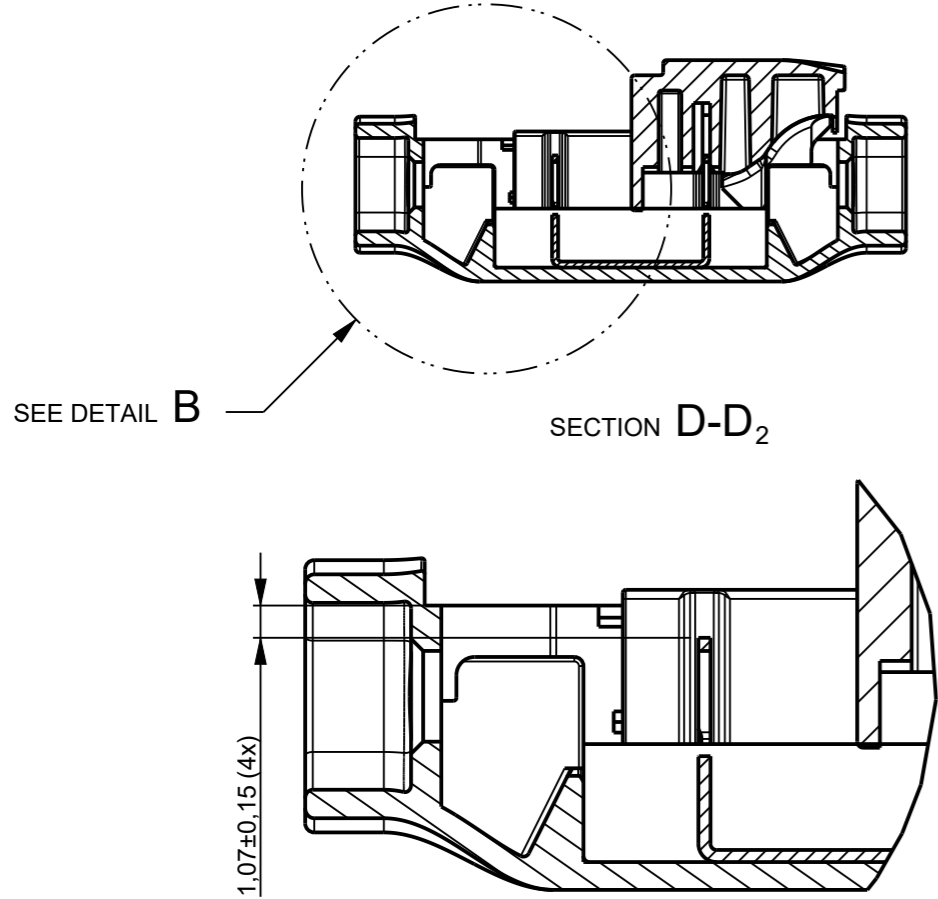
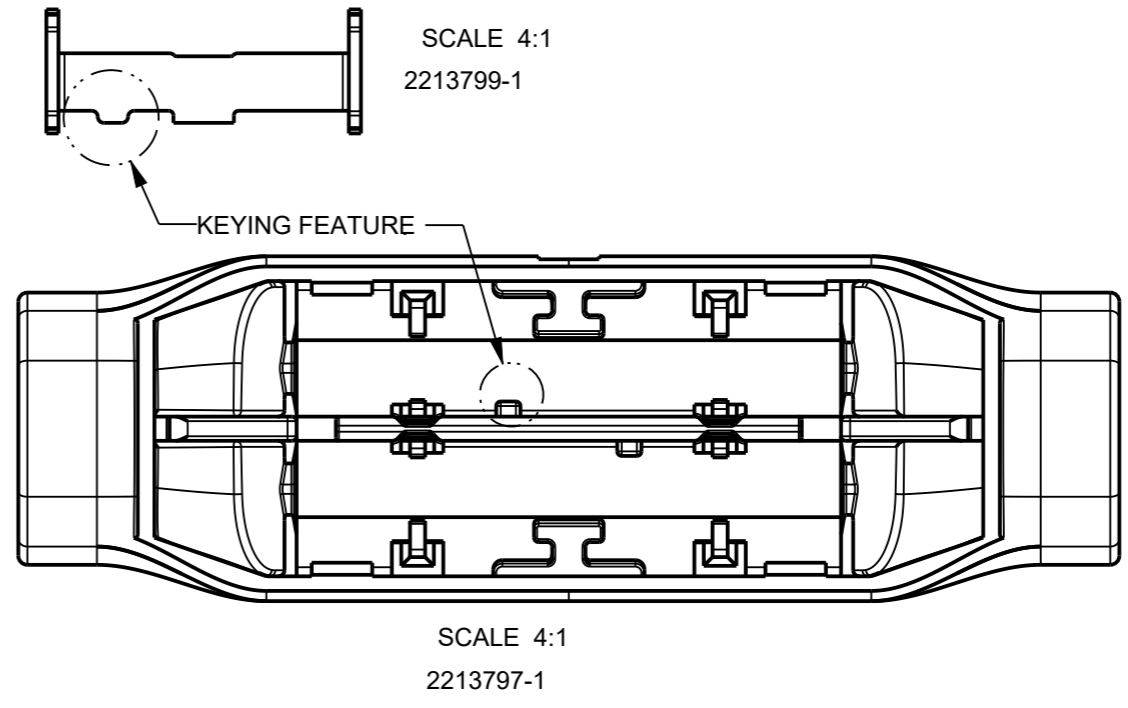
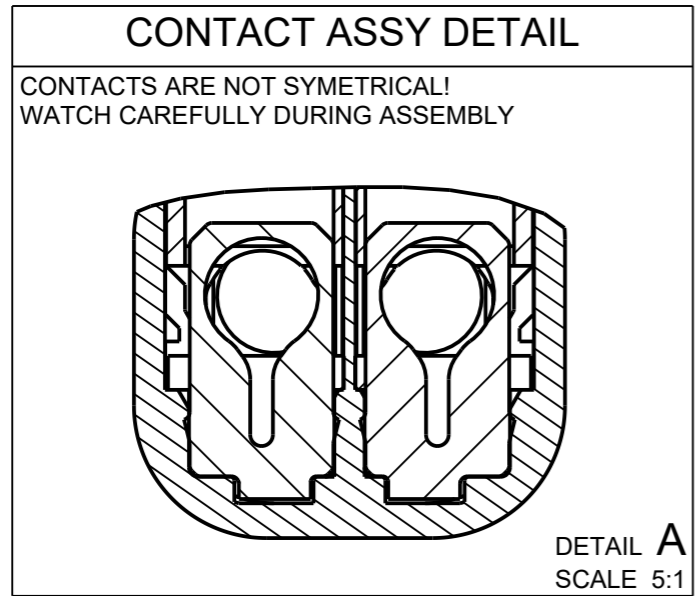
DWN	12NOV2020	MATERIAL	-	HEAT TREAT	-
CHK	12NOV2020				
APVD	12NOV2020				
NAME N.S.COOLSPLICE					
SCALE	2:1	SIZE	A3	DRAWING NO	2213800
SHEET 1 OF 2		REV C			

DWG NO 2213800

THIS INFORMATION IS CONFIDENTIAL AND PROPRIETARY TO TYCO ELECTRONICS CORPORATION AND ITS WORLDWIDE SUBSIDIARIES AND AFFILIATES (TE). IT MAY NOT BE DISCLOSED TO ANYONE OTHER THAN TE PERSONNEL, WITHOUT AUTHORIZATION FROM TE (www.te.com).

USED ON -

DWG NO 2213800  
THIS DRAWING IS A CONTROLLED DOCUMENT



DETAIL B  
SCALE 4:1

P	LTR	REVISION RECORD	DATE	DWN	APVD
-	-	SEE SHEET 1	-	-	-

DIMENSIONS: mm		TOLERANCES UNLESS OTHERWISE SPECIFIED:	
	0 PLC ±0,2		1 PLC ±0,1
	2 PLC ±0,05		3 PLC ±0,025
	4 PLC ±0,005		
ANGLES: 2°		SURFACE TEXTURE:	

DWN	12NOV2020	MATERIAL	-	HEAT TREAT	-
CHK	12NOV2020	TE Connectivity			
Villard, Romain					
APVD	12NOV2020	NAME N.S.COOLSPLICE			
Villardier, Yannick		SCALE	SIZE	DRAWING NO	SHEET OF
		2:1	A3	2213800	2 OF 2
					REV
					C

THIS INFORMATION IS CONFIDENTIAL AND PROPRIETARY TO TYCO ELECTRONICS CORPORATION AND ITS WORLDWIDE SUBSIDIARIES AND AFFILIATES (TE). IT MAY NOT BE DISCLOSED TO ANYONE, OTHER THAN TE PERSONNEL, WITHOUT AUTHORIZATION FROM TE (www.te.com).

LOC	H
DIST	-