

M83513 ORDERING INFORMATION PRINTED CIRCUIT BOARD TERMINATION:

M83513/XX - X XX X X

Specification Sheet

- 28 = plug (pin), C6 type, sizes 9-37
- 29 = plug (pin), C6 type, size 51
- 30 = plug (pin), C6 type, size 100
- 31 = receptacle (socket), C6 type, sizes 9-37
- 32 = receptacle (socket), C6 type, size 51
- 33 = receptacle (socket), C6 type, size 100

Hardware

- N = no jackpost or threaded insert
- P = jackpost
- T = threaded insert
- W = jackpost and threaded insert

Shell Finish

- C = cadmium
- N = electroless nickel
- P = passivated stainless steel

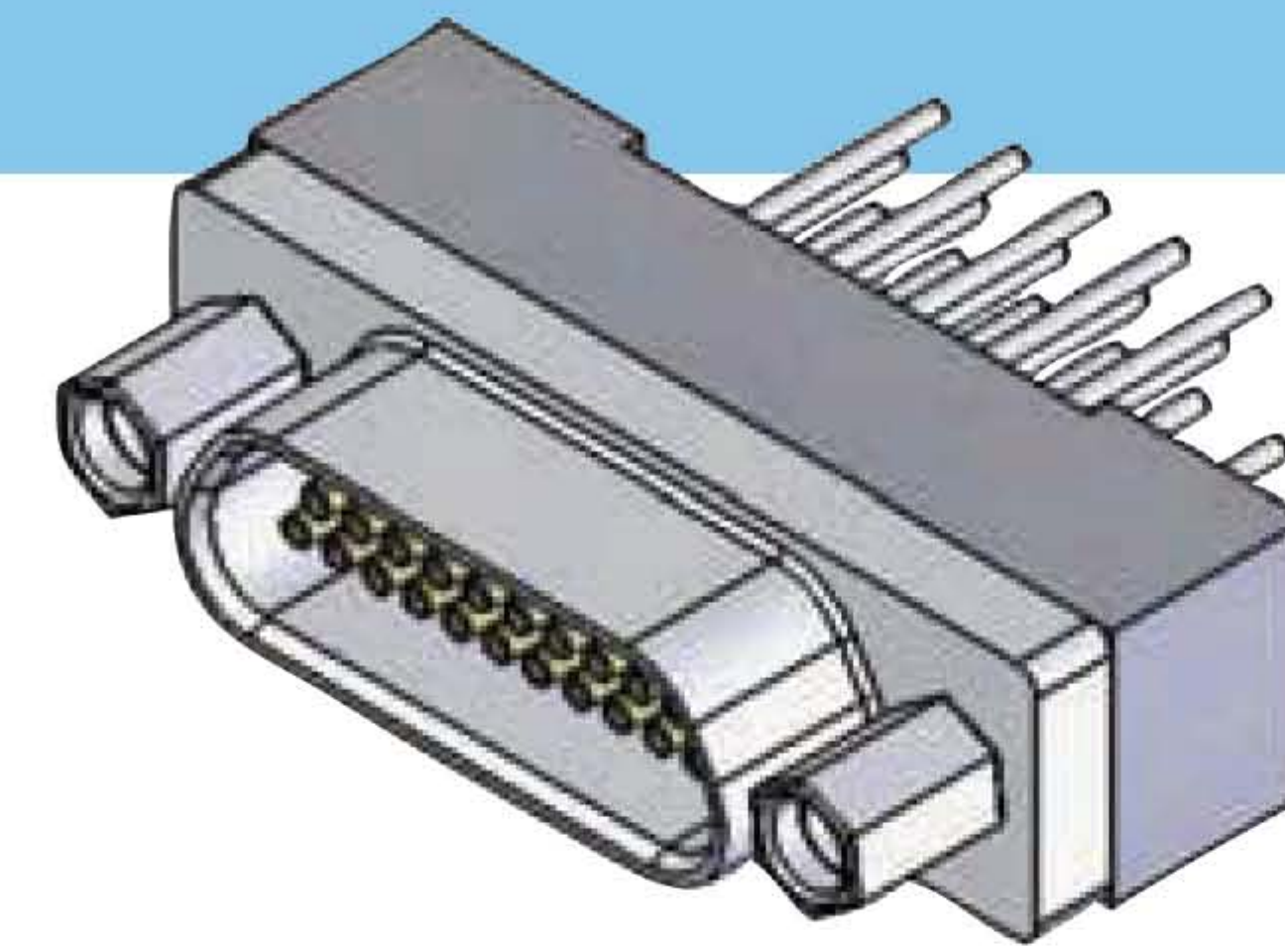
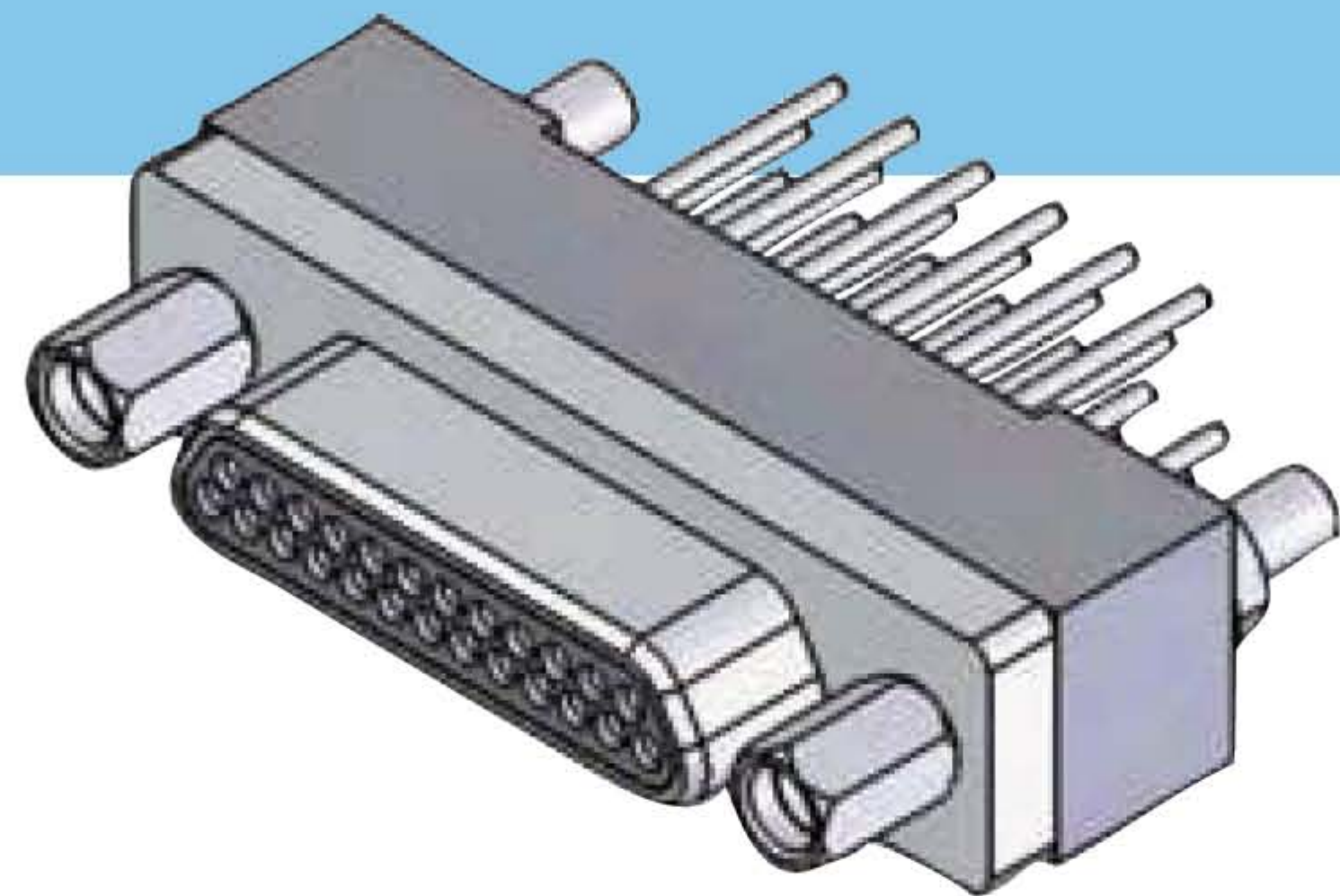
Lead Length (inches)

- 01 = .109 ± .015
- 02 = .140 ± .015
- 03 = .172 ± .015

Insert Arrangement

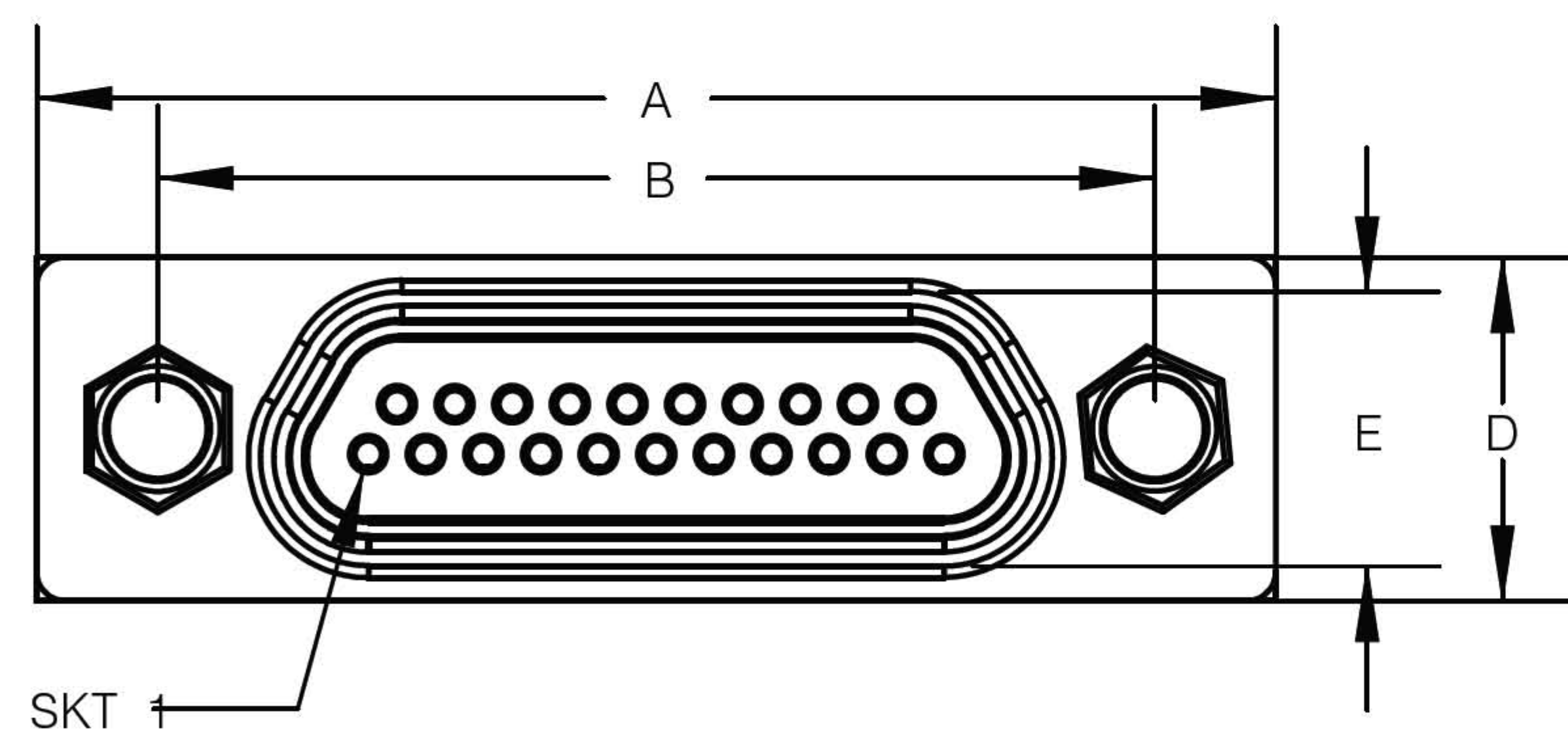
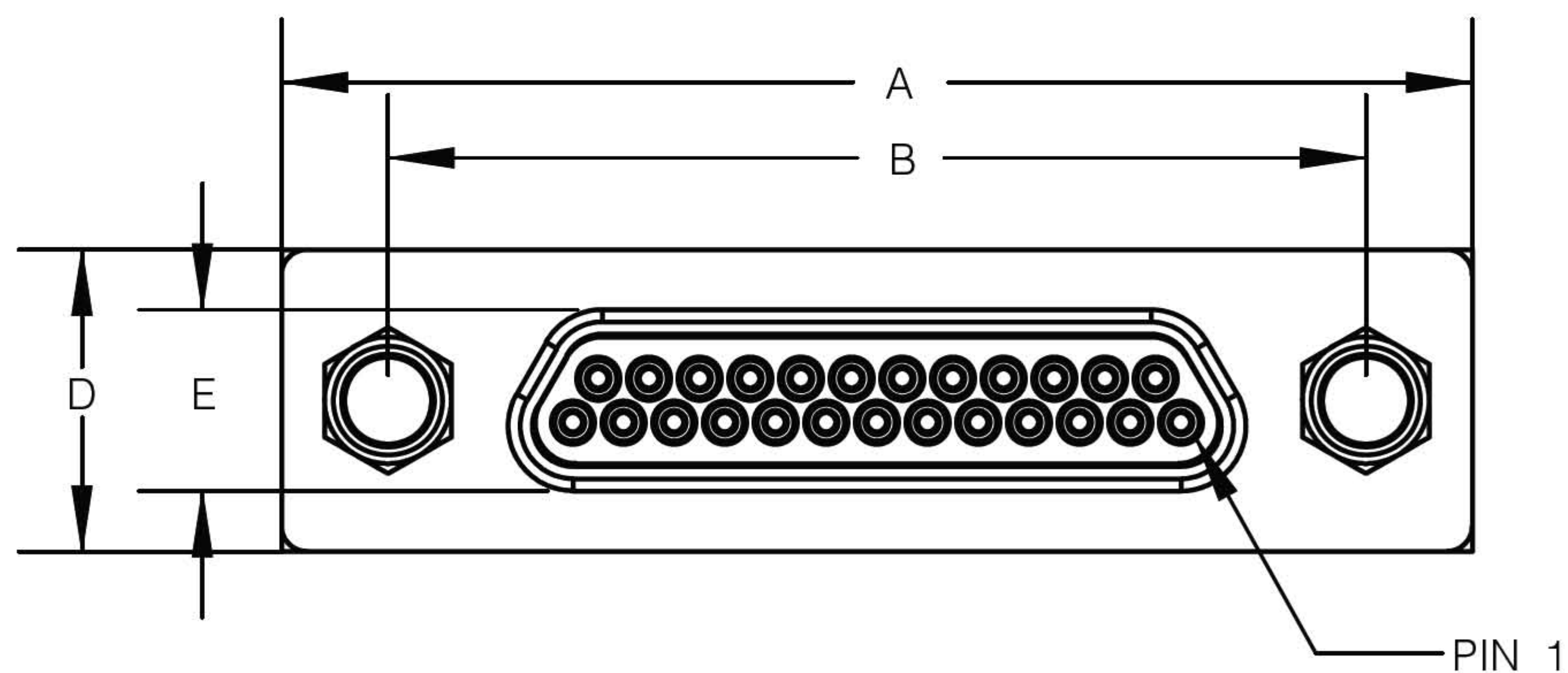
- A = 9
- B = 15
- C = 21
- D = 25
- E = 31
- F = 37
- G = 51 (applicable for spec sheet 29 & 32)
- H = 100 (applicable for spec sheet 30 & 33)

INCHES (MM)

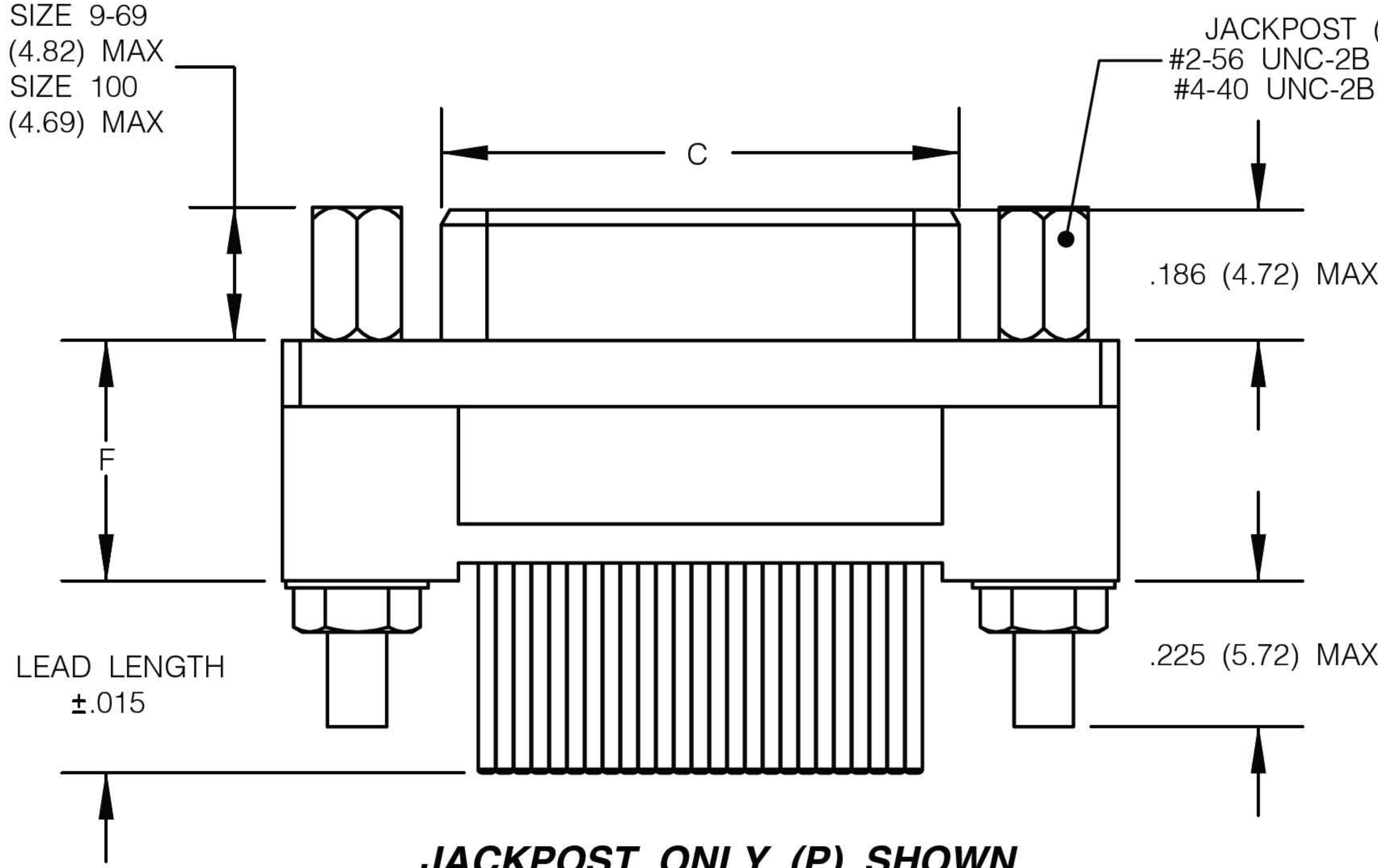


PLUG

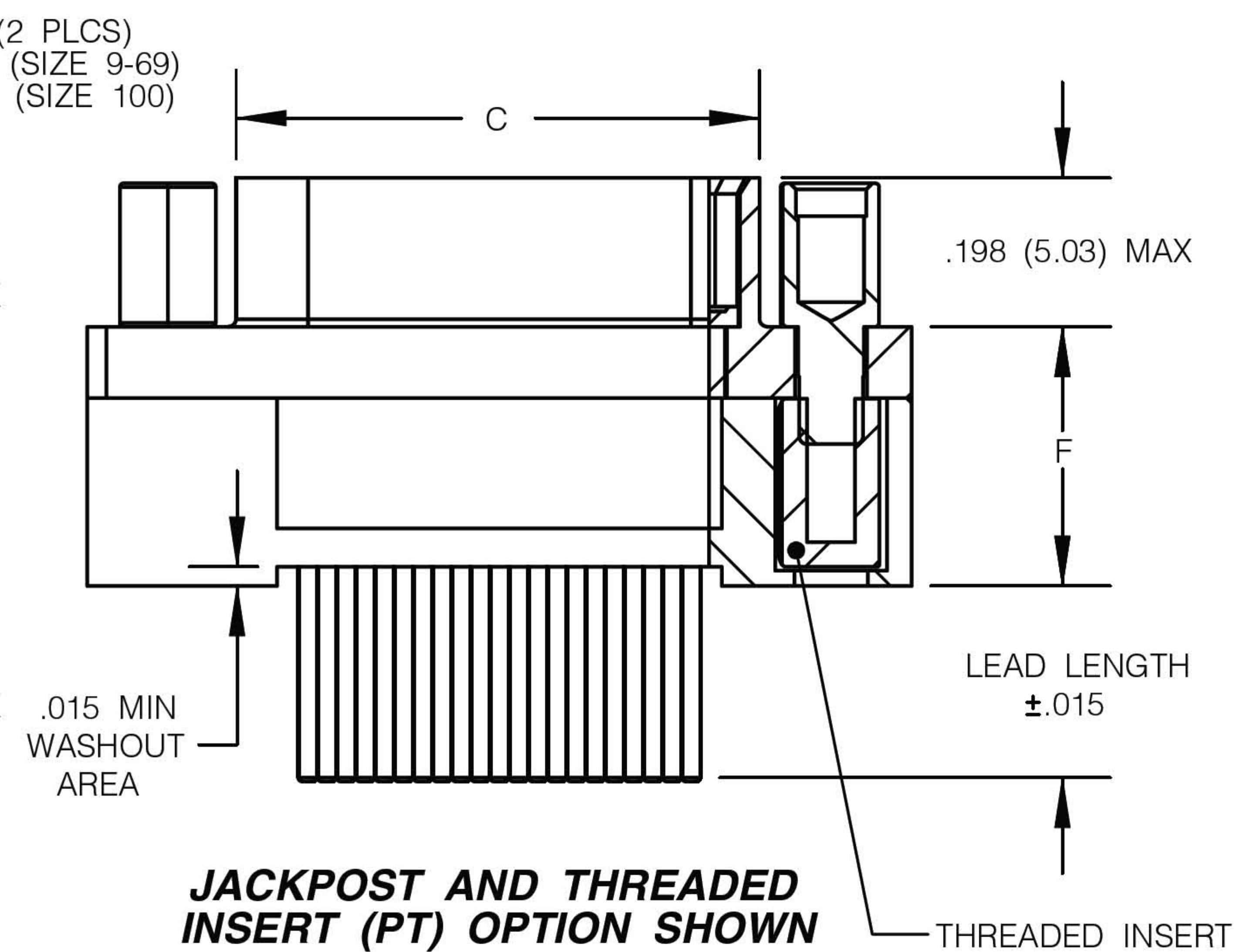
RECEPTACLE



FOR SIZE 9-69
.190 (4.82) MAX
FOR SIZE 100
.185 (4.69) MAX



JACKPOST ONLY (P) SHOWN



JACKPOST AND THREADED INSERT (PT) OPTION SHOWN

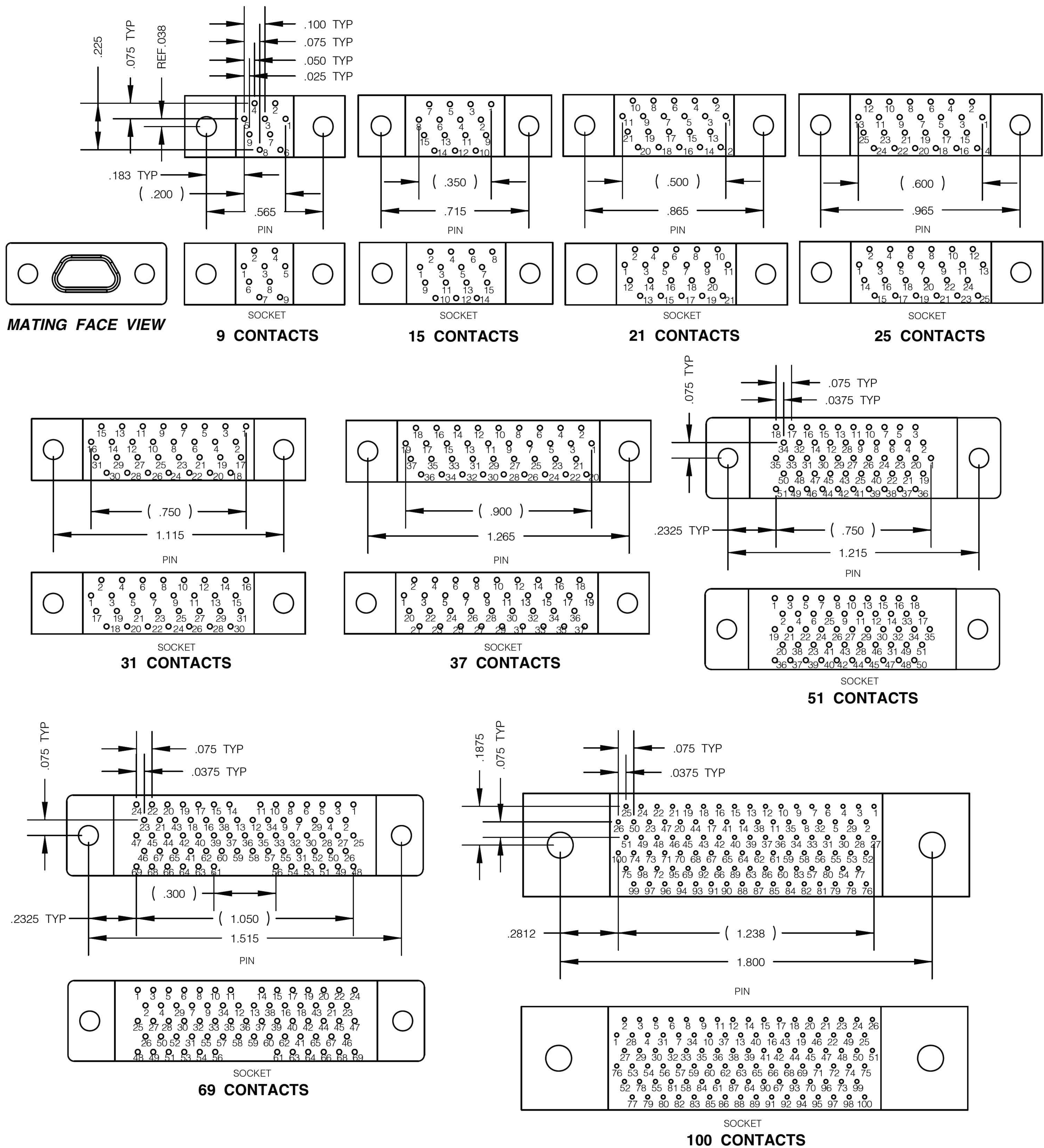
SIZE	A MAX	B ±.005 (0.13)	C MAX		D MAX	E MAX		F MAX
			PLUG	RCPT		PLUG	RCPT	
09	.785 (19.94)	.565 (14.35)	.334 (8.48)	.402 (10.21)	.310 (7.87)	.185 (4.70)	.253 (6.43)	.335 (8.51)
15	.935 (23.75)	.715 (18.16)	.484 (12.29)	.552 (13.97)	.310 (7.87)	.185 (4.70)	.253 (6.43)	.335 (8.51)
21	1.085 (27.56)	.865 (21.97)	.634 (16.10)	.702 (17.83)	.310 (7.87)	.185 (4.70)	.253 (6.43)	.335 (8.51)
25	1.185 (30.10)	.965 (24.51)	.734 (18.64)	.802 (20.37)	.310 (7.87)	.185 (4.70)	.253 (6.43)	.335 (8.51)
31	1.335 (33.91)	1.115 (28.32)	.884 (22.45)	.952 (24.18)	.310 (7.87)	.185 (4.70)	.253 (6.43)	.335 (8.51)
37	1.485 (37.72)	1.265 (32.13)	1.034 (26.26)	1.102 (27.99)	.310 (7.87)	.185 (4.70)	.253 (6.43)	.335 (8.51)
51	1.435 (36.45)	1.215 (30.86)	.984 (24.99)	1.052 (26.72)	.400 (10.16)	.228 (5.79)	.296 (7.52)	.335 (8.51)
69	1.735 (44.07)	1.515 (38.48)	1.289 (32.74)	1.357 (34.47)	.400 (10.16)	.228 (5.79)	.296 (7.52)	.335 (8.51)
100	2.160 (54.86)	1.800 (45.72)	1.384 (35.13)	1.508 (38.10)	.510 (12.95)	.271 (6.88)	.394 (10.01)	.430 (10.92)

INCHES (MM)

Amphenol
Canada

VERTICAL MOUNT (TERMINATION VIEW)

Cavity identification numbers are for reference only and does not appear on the connector.



INCHES (MM)

Amphenol®
Canada