

INTERNATIONAL- 12vdc 6W



TIGER PART: TP1019

Features:

- Built in Over Current and Short Circuit Protections
- Universal 100-240vac input voltage
- Supplied complete with 4 Interchangeable AC pins
- Level VI efficiency
- Approved to latest 62368-1 world safety standards including CE, UL, SAA
- PSE, KCC pending as at Feb 2021
- Meets new UKCA UK safety legislation
- Miniature Design – Dimensions just 43.6 x 40.9 x 22.9mm



The Tiger Power range of switch mode power supplies feature full safety approvals to latest 62368-1 standards and also level VI energy efficiency requirements. The TP1019 12vdc 0.5A amp model provides a reliable constant voltage output at up to 6 Watts continuous, suitable for a wide range of applications.

Part number (All 4 AC pins included):	TP1019
Part number (Supplied with separate UK and EU pins only) :	TP1019-UKEU
Part number (Supplied with UK, EU, USA pins only):	TP1019-UKEUUS
Input voltage:	100-240vac (90-264vac max.)
Input frequency:	47 - 63Hz
Output voltage:	12vdc
Current:	0.5A
Power :	6 Watts
Protection:	Short Circuit, Over Current protection
Dimensions:	43.6 x 40.9 x 22.0mm
Weight:	150g
Standby Power Consumption :	0.1W max.
DC cord length:	1.5 metres
DC connector:	2.1 x 5.5 x 12mm (Female) Other options on request
Polarity:	+ve (positive) centre
Efficiency:	88%
Input current RMS Max.:	1.5A
Inrush Current at 230vac:	40A max.
Load regulation:	+ / - 5%
Safety approval:	62368-1 including UL (USA), CE and C-Tick.
M.T.B.F:	50,000 hours
Operating temperature:	0°C to + 40°C

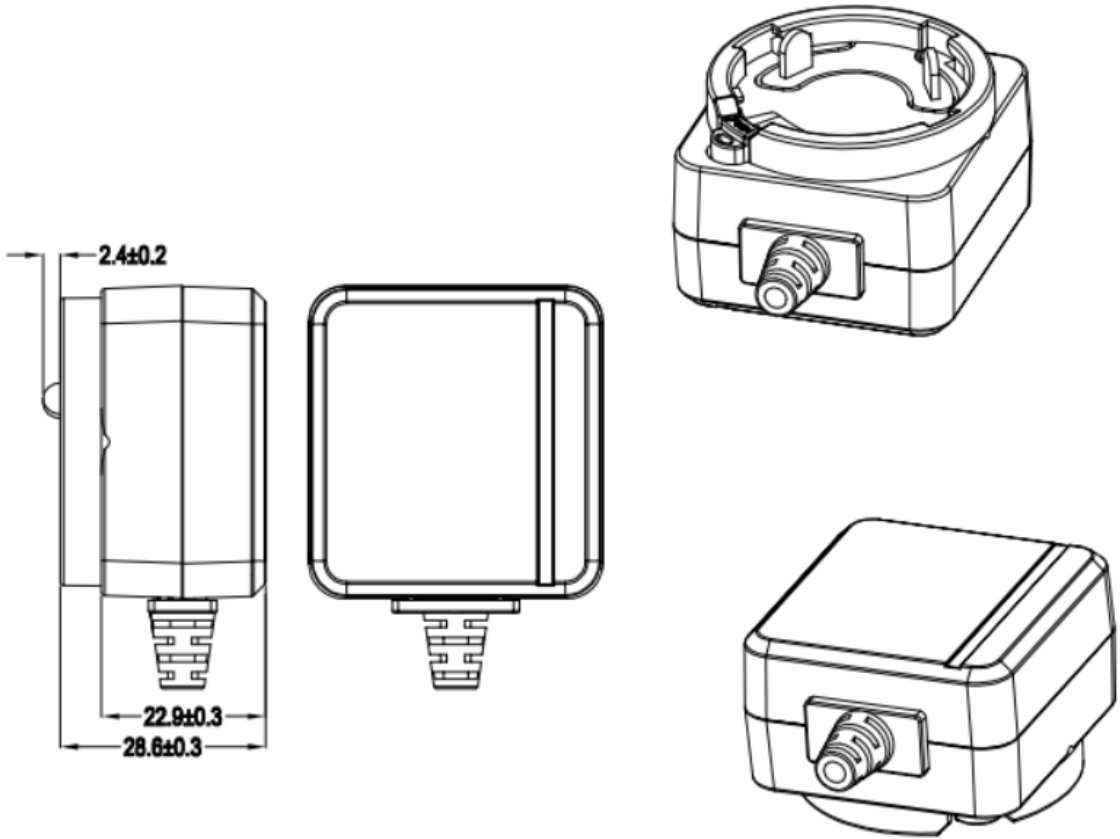
TIGER POWER PRODUCTS – QUALITY & RELIABILITY

This specification is not for general release or circulation. Tiger Power reserves the right to make changes to spec. or product without notice or liability.

INTERNATIONAL- 12vdc 6W



TIGER PART: TP1019



TIGER POWER PRODUCTS – QUALITY & RELIABILITY

This specification is not for general release or circulation. Tiger Power reserves the right to make changes to spec. or product without notice or liability.