

# BNC Straight Plug Crimp multicomp<sup>PRO</sup>

## Specifications:

### Electrical

Frequency Range : DC-1 GHz  
 Nominal Impedance : 75Ω  
 Voltage Rating : 500V Max.

### Materials

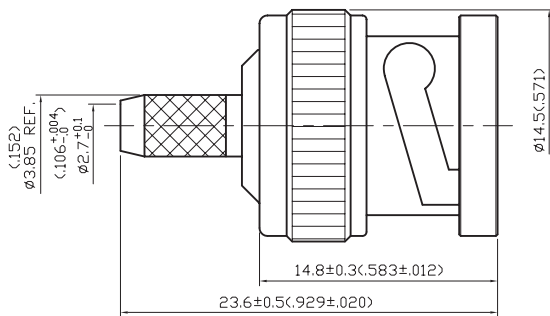
Bodies : Brass Per JIS-C3604  
 Centre Contact : Brass Per JIS-C3604  
 Insulation : PTFE Per ASTM D1457 and ASTM D1710  
 Crimp Ferrule : Brass Per JIS-C2700

### Mechanical

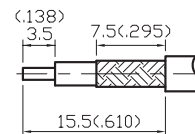
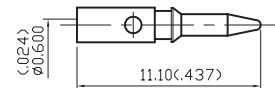
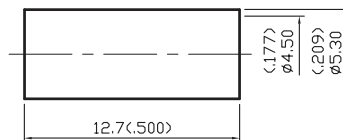
For use with 8218 or similar style cable  
 Cable Attachment : Outer - Crimp, Inner - Solder/Crimp  
 Crimp Size Required : Contact - 1.8(.071) HEX. Crimp tool  
 Ferrule - 5.5(.216) HEX. Crimp tool

### Environmental

Operating Temperature Range : -20°C to +80°C



Dimensions : Millimetres (Inches)



Stripping Dimension  
Scale 2:1

## Finishes and Others

No.	Description	Material	QTY	Finish
1	Crimp Ferrule	Brass	1	Nickel
2	Center Contact	Brass		Gold
3	Body	Brass		Nickel 100µ" min.
4	Washer	Brass		Nickel
5	Spring Washer	SK-5		Nickel
6	Washer	Brass		Nickel
7	Gasket	Rubber		Red
8	Insulation	PTFE		None
9	Shell	Zinc		Nickel

## Part Number Table

Description	Part Number
RF/Coaxial, BNC Plug, STR, 75Ω, Crimp	MC23596

**Important Notice :** This data sheet and its contents (the "Information") belong to the members of the AVNET group of companies (the "Group") or are licensed to it. No licence is granted for the use of it other than for information purposes in connection with the products to which it relates. No licence of any intellectual property rights is granted. The Information is subject to change without notice and replaces all data sheets previously supplied. The Information supplied is believed to be accurate but the Group assumes no responsibility for its accuracy or completeness, any error in or omission from it or for any use made of it. Users of this data sheet should check for themselves the Information and the suitability of the products for their purpose and not make any assumptions based on information included or omitted. Liability for loss or damage resulting from any reliance on the Information or use of it (including liability resulting from negligence or where the Group was aware of the possibility of such loss or damage arising) is excluded. This will not operate to limit or restrict the Group's liability for death or personal injury resulting from its negligence. Multicomp Pro is the registered trademark of Premier Farnell Limited 2019.

Newark.com/multicomp-pro  
 Farnell.com/multicomp-pro  
 Element14.com/multicomp-pro

**multicomp<sup>PRO</sup>**