

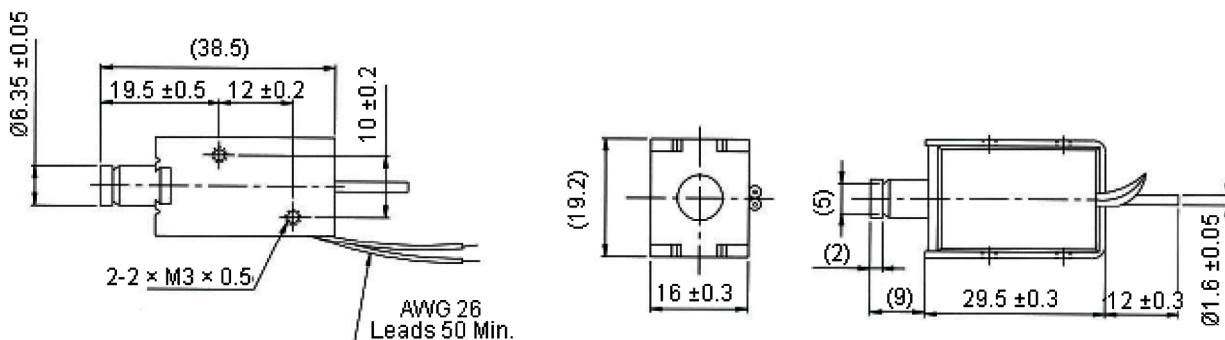
Specification Table

Part Number	Resistance (20°C) Ω ±10%	Plunger Weight	Total Weight	Number Turns	Volts DC			
					6	8.5	12	19
MCSMO-0630S06STD	15	5g	42g	1,080	6	8.5	12	19
MCSMO-0630S12STD	60			2,160	12	17	24	38
MCSMO-0630S24STD	240			4,320	24	34	48	76

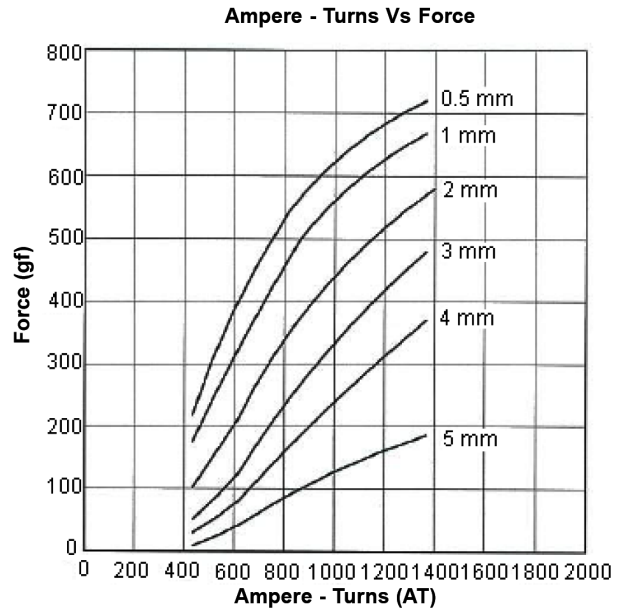
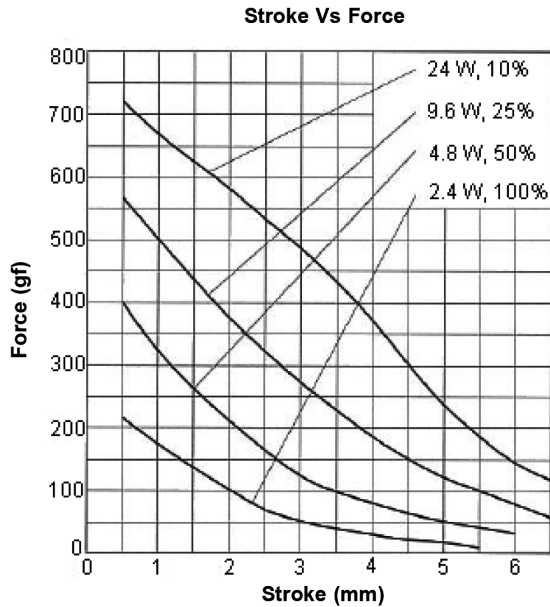
Coil Data

Duty Cycle (%) = $\frac{\text{"ON" Time}}{\text{"ON" Time} + \text{"OFF" Time}} \times 100\%$	Continuous (100%)	Or Less (50%)	Or Less (25%)	Or Less (10%)
Maximum "on" time seconds	∞	55	19	3
Watts at 20°C	2.4	4.8	9.6	24
Ampere - turns at 20°C	432	615	864	1,368

Diagram



Dimensions : Millimetres



Part Number Table

Description	Part Number
Solenoid, Open Frame, Push, 6V	MCSMO-0630S06STD
Solenoid, Open Frame, Push, 12V	MCSMO-0630S12STD
Solenoid, Open Frame, Push, 24V	MCSMO-0630S24STD

Important Notice : This data sheet and its contents (the "Information") belong to the members of the AVNET group of companies (the "Group") or are licensed to it. No licence is granted for the use of it other than for information purposes in connection with the products to which it relates. No licence of any intellectual property rights is granted. The Information is subject to change without notice and replaces all data sheets previously supplied. The Information supplied is believed to be accurate but the Group assumes no responsibility for its accuracy or completeness, any error in or omission from it or for any use made of it. Users of this data sheet should check for themselves the Information and the suitability of the products for their purpose and not make any assumptions based on information included or omitted. Liability for loss or damage resulting from any reliance on the Information or use of it (including liability resulting from negligence or where the Group was aware of the possibility of such loss or damage arising) is excluded. This will not operate to limit or restrict the Group's liability for death or personal injury resulting from its negligence. Multicomp Pro is the registered trademark of Premier Farnell Limited 2019.