

## Technical Characteristics

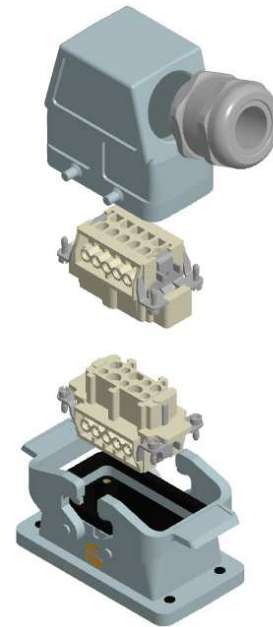
### Part Number

#### Han 10B Rear-Mount Kit

Hood	Side Entry
Housing	Double Lever Bulkhead
Material	Die Cast Aluminum
IP / NEMA	IP66 / 4, 4x, 12
Temp Rating	-40 to +125C
Cable Gland	M25 Metal
Cable Diameter	9-16mm / 13-18mm
Insert	Han 10E, 10+GND
Screw Terminals	18-14AWG
Wire Strip Length	7.5mm
Mating Cycles	>500
Flammability	V-0

**73 10 100 0006**

**UL508**

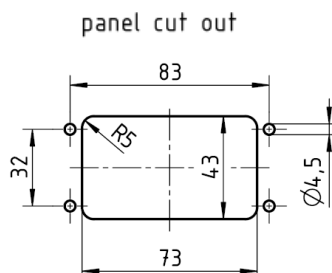
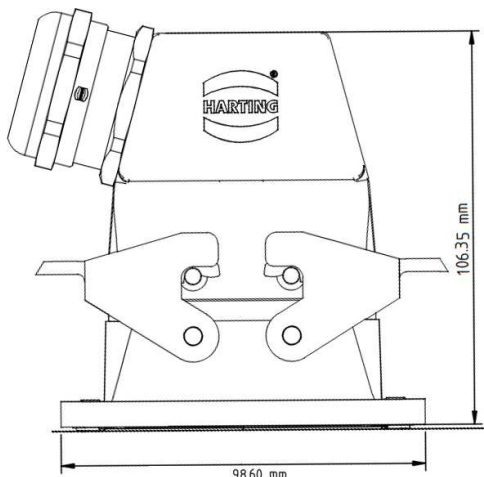


#### Electrical Characteristics

Rated Current	16amps
Rated Voltage	600V
Rated Impulse Voltage	6kV

## Drawings and Assembly Information

Dimensions in mm



#### Tooling and Torque Values

Type	Tool	Torque (Nm)
Terminal Screws (M3)	PH1 or Slotted 0.6 x 3.5	0.50
Fixing Screw (M3)	PH2 or Slotted 0.6 x 3.5	0.50
Mounting Screws (M4 recommended)	-	0.8...1.0
Cable Gland (M25)	SW 30	12

#### Kit Contents

Male Insert	09 33 010 2601
Female insert	09 33 010 2701
Housing	09 30 010 0391
Hood	19 30 010 0526
Cable Gland	19 00 000 5091