

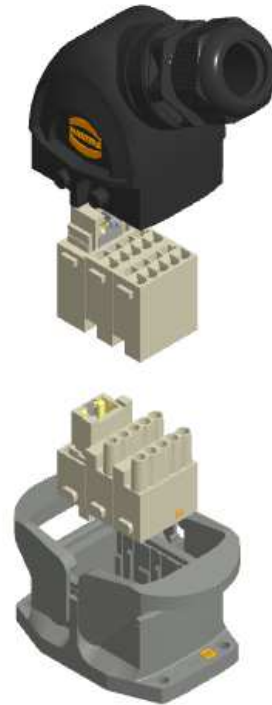
## Technical Characteristics

## Part Number

### Han ECO Ethernet/Signal Kit

Hood	Side Entry
Housing	Double Lever Bulkhead
Material	Plastic
IP / NEMA	IP65 / 4, 4x, 12
Temp Rating	-40 to +125C
Cable Gland	M32 Plastic
Cable Diameter	13-21mm
Insert	See "Kit Contents"
Termination (Rj45 / Signal)	IDC / Screw

**73 10 100 0013**

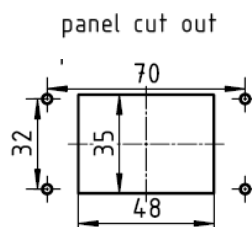
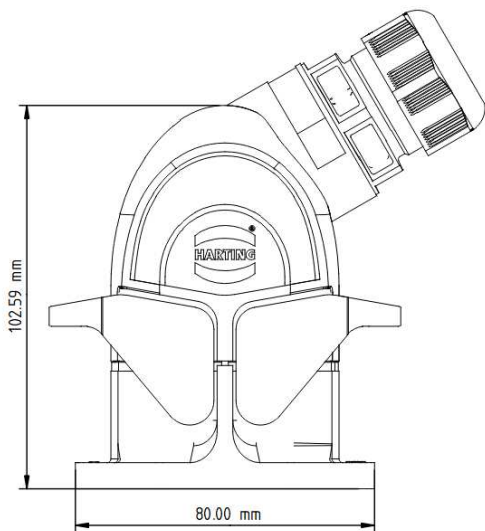


### Electrical Characteristics

Rated Current (signal)	16A
Rated Voltage (signal)	600V
Rated Impulse Voltage (signal)	6kV
Ethernet	Cat.6

## Drawings and Assembly Information

Dimensions in mm



### Kit Contents

Kit Contents	
Male Rj45	09 45 400 1560
	09 14 001 4623
Female Rj45	09 14 001 4721
Male Han E (x2)	09 14 005 2601
Female Han E (x2)	09 14 005 2701
Housing	19 41 006 0301
Hood	19 41 106 0522

NOTE: See "Kit Contents" for individual module part numbers.  
All part numbers are available on the HARTING B2B E-Catalogue. See website for detailed specifications and drawings.