

SMA Bulkhead Jack Edge Mount

multicomp PRO

**RoHS
Compliant**

Specifications:

Electrical

Frequency Range	: DC-6GHz
Nominal Impedance	: 50Ω
Working Voltage Max	: 500V
Proof Voltage	: 1,000V
VSWR Max	: 1.3

Materials

Bodies	: Brass per JIS-C3604
Centre Contact	: Beryllium Copper per ASTM B196 UNS C173000
Insulation	: PTFE per ASTM D1457 and ASTM D1710

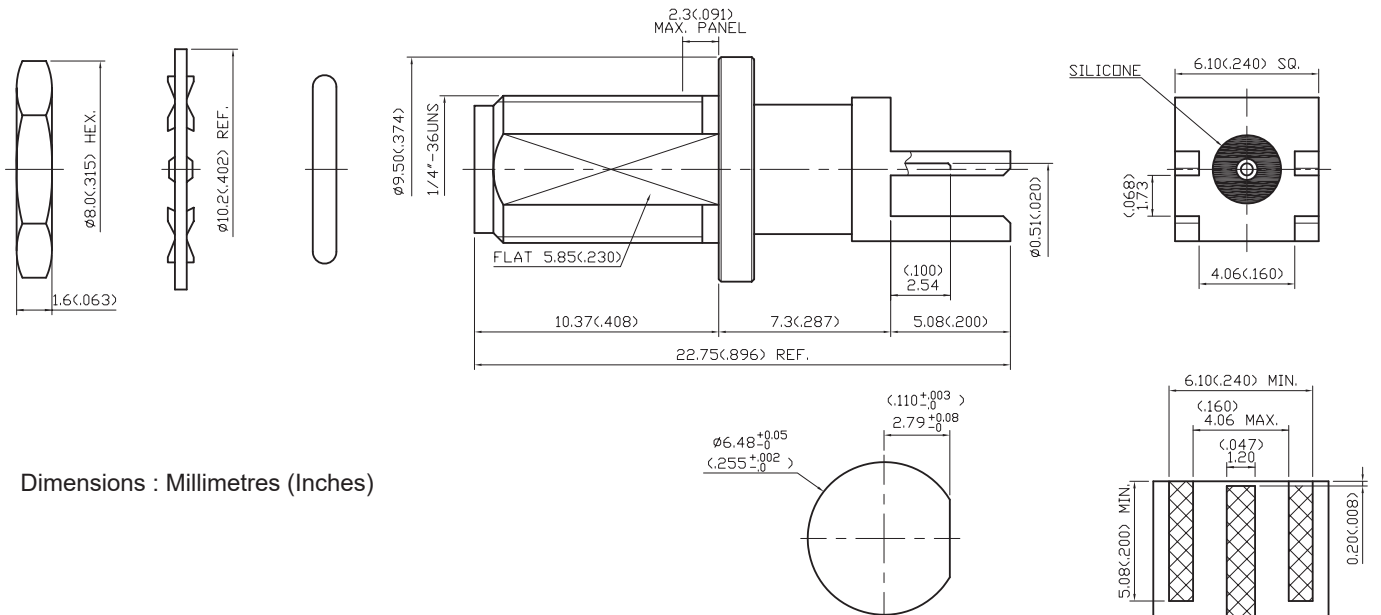
Mechanical

Interface in Accordance with	: MIL-STD-348A
------------------------------	----------------

Environmental

Operating Temperature Range	: -65°C to +165°C
Connector must withstand Waterproof Lead Test Pressure	6kg/cm ² Min.

Diagram



Dimensions : Millimetres (Inches)

Mounting Hole

Recommended PCB Mount

Newark.com/multicomp-pro
Farnell.com/multicomp-pro
Element14.com/multicomp-pro

multicomp PRO

SMA Bulkhead Jack

Edge Mount

multicomp PRO

Finish and Others

No	Description	Material	Qty	Finish
1	Body	Brass	1	Nickel 100µ" Min.
2	Centre Contact	Beryllium Copper	1	Gold 50µ" Min.
3	Insulation	PTFE	1	None
4	O-Ring	Silicone	1	Black
5	Washer	Brass	1	Nickel
6	Nut	Brass	1	Nickel

Part Number Table

Description	Part Number
Jack, SMA, Bulkhead, Edge, IP67	MC000244

Important Notice : This data sheet and its contents (the "Information") belong to the members of the AVNET group of companies (the "Group") or are licensed to it. No licence is granted for the use of it other than for information purposes in connection with the products to which it relates. No licence of any intellectual property rights is granted. The Information is subject to change without notice and replaces all data sheets previously supplied. The Information supplied is believed to be accurate but the Group assumes no responsibility for its accuracy or completeness, any error in or omission from it or for any use made of it. Users of this data sheet should check for themselves the Information and the suitability of the products for their purpose and not make any assumptions based on information included or omitted. Liability for loss or damage resulting from any reliance on the Information or use of it (including liability resulting from negligence or where the Group was aware of the possibility of such loss or damage arising) is excluded. This will not operate to limit or restrict the Group's liability for death or personal injury resulting from its negligence. Multicomp Pro is the registered trademark of Premier Farnell Limited 2019.

Newark.com/multicomp-pro
Farnell.com/multicomp-pro
Element14.com/multicomp-pro

multicomp PRO