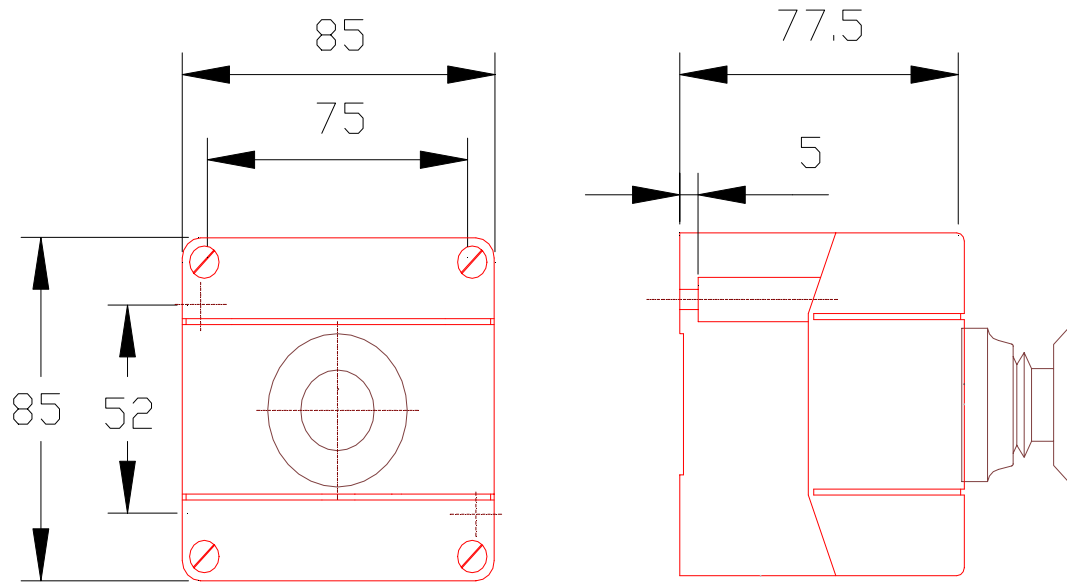


<b>PROTECTION :</b> <b>EEExde IIC T6</b>	<b>DESCRIPTION :</b> <b>SIZE 1 CONTROL STATION EMERGENCY STOP</b>	<b>ORDER CODE :</b> <b>GHG4118151R0001</b>  <b>Farnell 7193373</b>
---	--	---



TYPE	RATED CURRENT AMPS	RATED VOLTAGE	TERMINAL CAPACITY MM SQ	CABLE ENTRY	WEIGHT KG
<b>STOP</b> <b>1 N/O + 1 N/C</b>	<b>16A</b>	<b>500</b>	<b>2 X 2.5</b>	<b>1 X M20</b> <b>BOTTOM</b>	<b>0.35</b>

**GENERAL DESCRIPTION :** MUSHROOM HEAD  
**STAYPUT STOP PUSHBUTTON**  
**1 N/O & 1 N/C CONTACT**

**ENCLOSURE MATERIAL :** EN POLYAMIDE

**INGRESS PROTECTION :** IP67 TO IEC529

**AMBIENT TEMPERATURE :** -20 TO +40 CELSIUS

**APPROVALS :** EN50014/18/19

**PTB CERTIFICATE : 00 ATEX 3117**

**AREA OF USE : ZONE 1 AND ZONE 2**

**OTHER INFORMATION :**

**CEA  
G**

**CEAG CROUSE-HINDS, UNIT G, QUINN CLOSE, SEVEN STARS IND  
EST,  
WHITLEY, COVENTRY. CV3 4LH  
TELEPHONE :- 024 76 308930 FAX :- 024 76 301027**