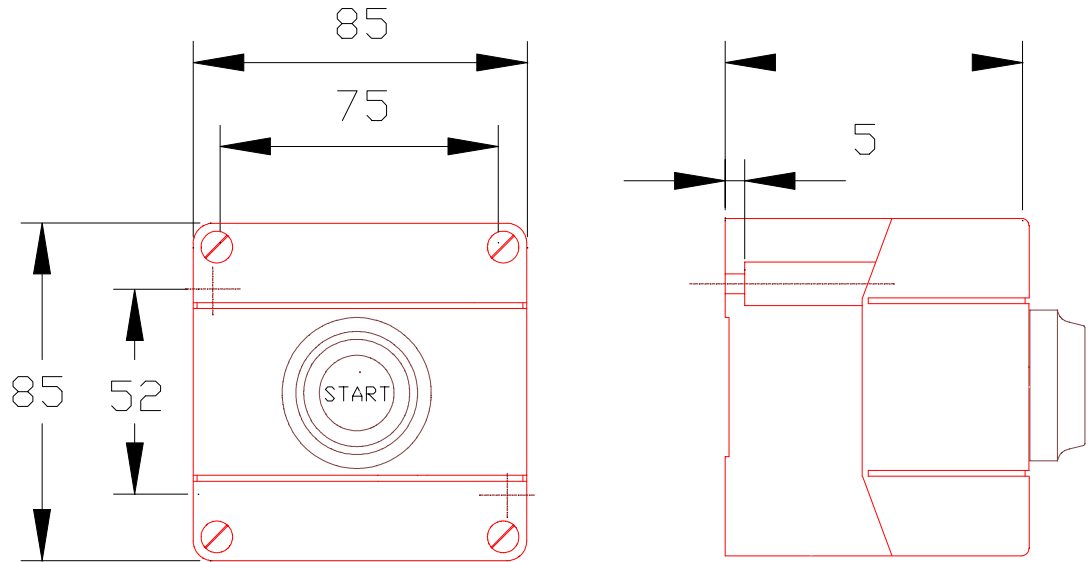


PROTECTION : EExde IIC T6	DESCRIPTION : SIZE 1 CONTROL STATION "START"	ORDER CODE : GHG4118151R0003 Farnell 7193385
--	---	---



TYPE	RATED CURRENT AMPS	RATED VOLTAGE	TERMINAL CAPACITY MM SQ	CABLE ENTRY	WEIGHT KG
START 1 N/O + 1 N/C	16A	500	2 X 2.5	1 X M20 BOTTOM	0.35

GENERAL DESCRIPTION : **STANDARD**
PUSHBUTTON WITH 1 N/O & 1 N/C
CONTACT AND "START" LEGEND

ENCLOSURE MATERIAL : **EN POLYAMIDE**

INGRESS PROTECTION : **IP67 TO IEC529**

AMBIENT TEMPERATURE : **-20 TO +40 CELSIUS**

APPROVALS : **EN50014/18/19**

PTB CERTIFICATE : **00 ATEX 3117**

AREA OF USE : ZONE 1 AND ZONE 2

OTHER INFORMATION :

**CEA
G**

**CEAG CROUSE-HINDS, UNIT G, QUINN CLOSE, SEVEN STARS IND
EST,
WHITLEY, COVENTRY. CV3 4LH
TELEPHONE :- 024 76 308930 FAX :- 024 76 301027**